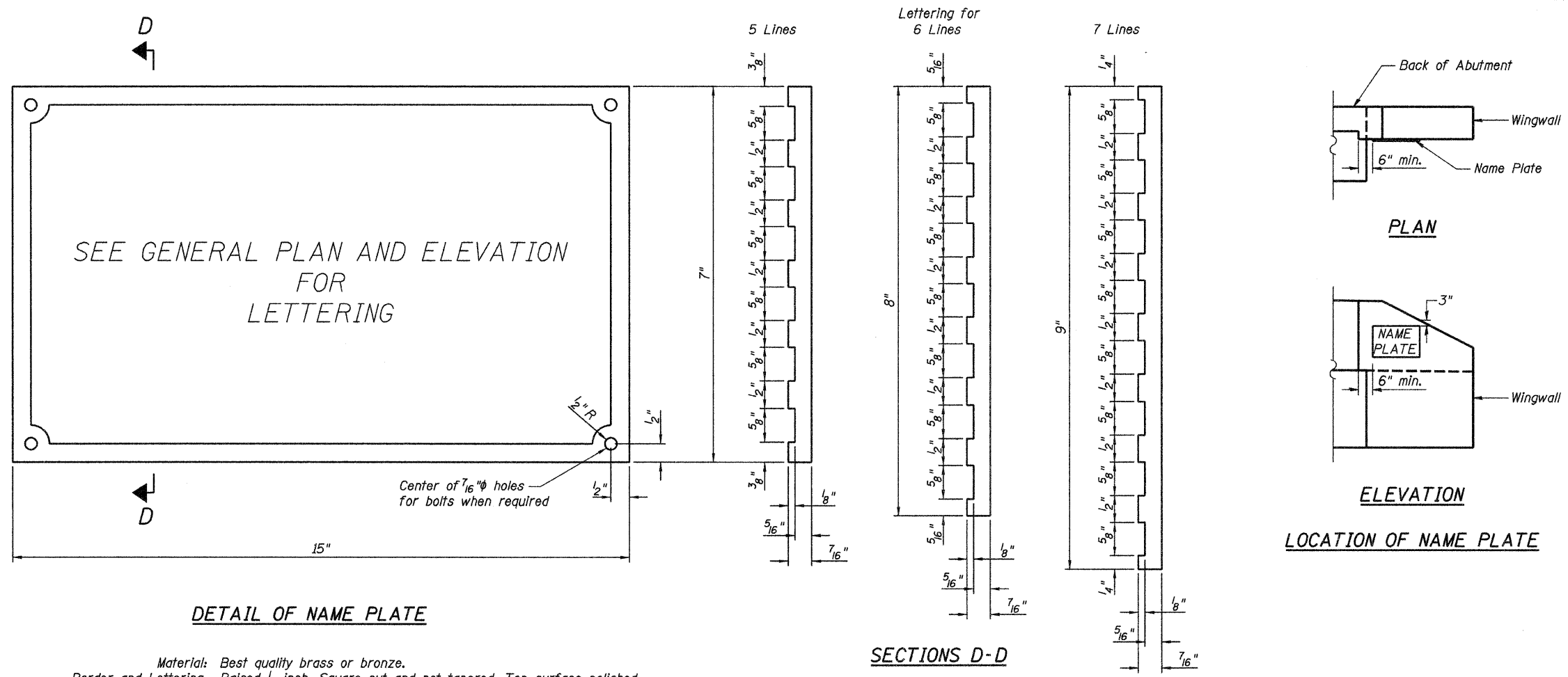


ROUTE NO.	SECTION	COUNTY	TOTAL SHEETS	SHEET NO.
TR 512	08-08123-00-BR	FAYETTE	14	12
FED. ROAD DIST. NO.	ILLINOIS	PROJECT		

CONTRACT NO. 95595



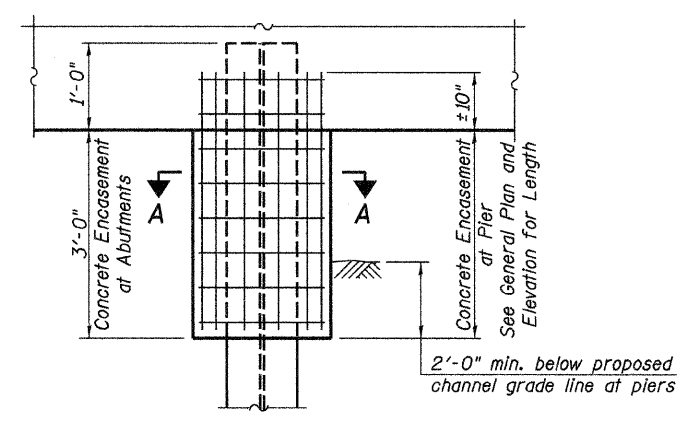
SEE GENERAL PLAN AND ELEVATION FOR LETTERING

**DETAIL OF NAME PLATE**

**SECTIONS D-D**

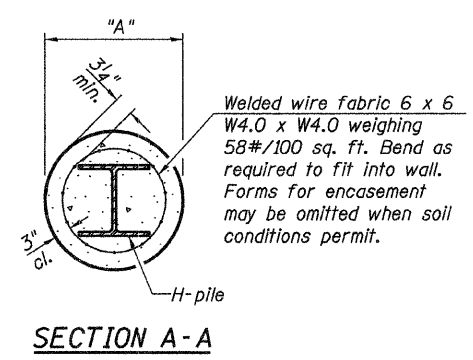
**ELEVATION  
LOCATION OF NAME PLATE**

Material: Best quality brass or bronze.  
 Border and Lettering: Raised 1/8 inch. Square cut and not tapered. Top surface polished.  
 Fastenings: Four lugs at least three inches long, cast on back of plate.



**ELEVATION**

**PILE ENCASEMENT**



**SECTION A-A**

Pile	"A"
HP8	1'-6"
HP10	1'-9"
HP12	2'-0"

**PILE ENCASEMENT QUANTITIES**  
(Steel Piles)

Pile Size	Item	Unit	Quantity
HP10	Concrete Encasement	Cu Yd.	0.086

Quantities per foot of Encasement.

<b>AECOM</b> 2524 S. Broadway Salem, Illinois 62891 618.548.3500 IL Design Firm Reg. No. 194-003705 www.aecom.com	SLM-CN-CX <b>NAME PLATE &amp;          PILE ENCASEMENT DETAILS</b>
	Date: 07/27/09 Design: MRQ Drawn: BLT Job No.: 200804643