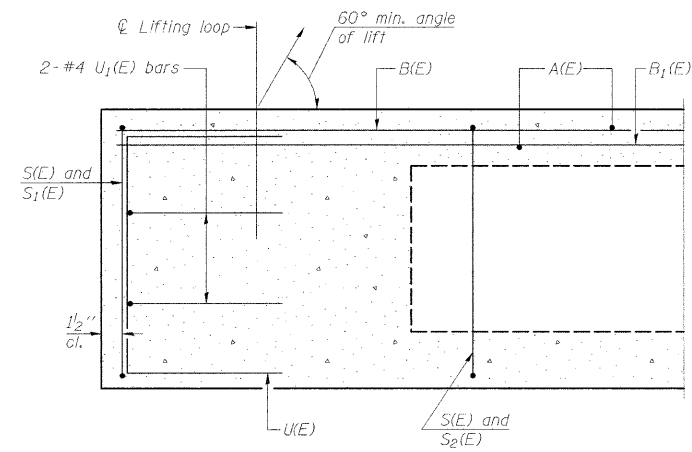
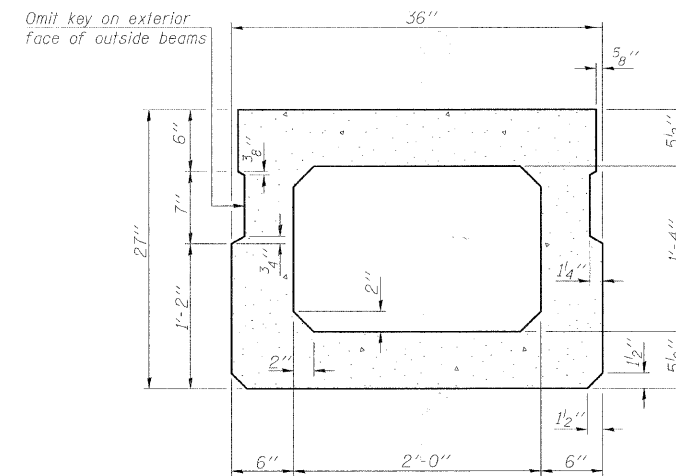


ROUTE NO.	SECTION	COUNTY	TOTAL SHEETS	SHEET NO.
F.A.S. 548	05-00196-00-BR	MACON	17	13
FED. ROAD DIST. NO.	ILLINOIS PROJECT: ARA-0548(103)			

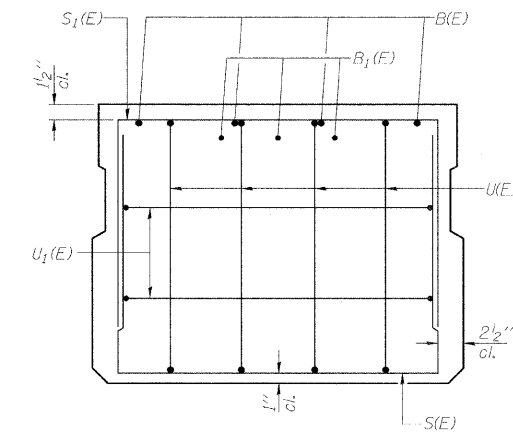
CONTRACT NO. 95599



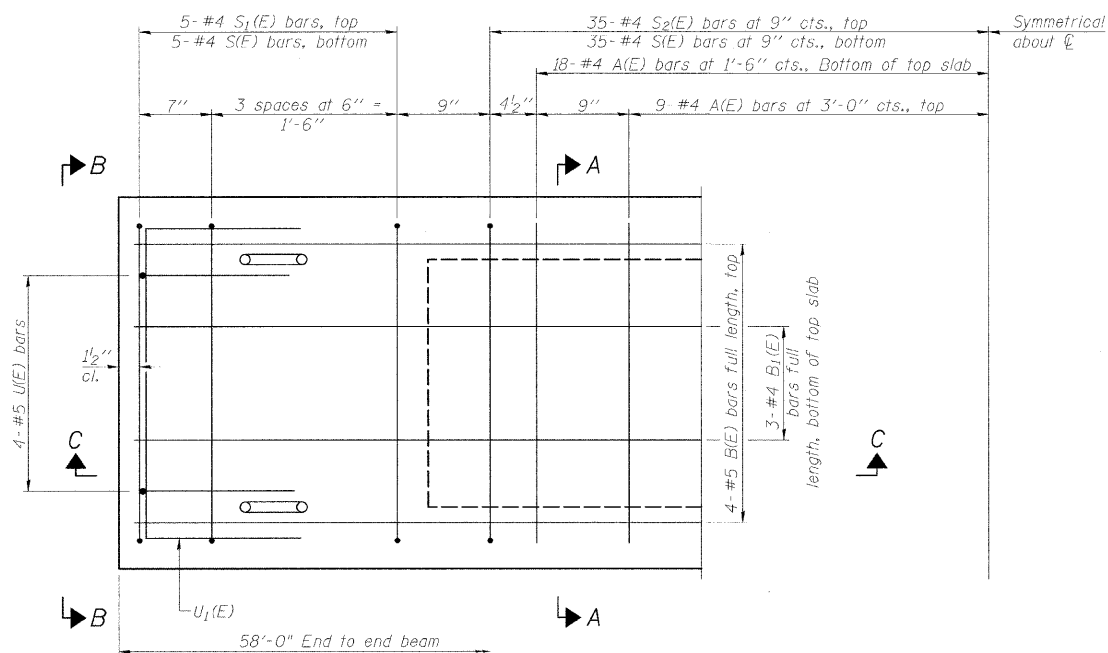
SECTION C-C



SECTION A-A
(Showing dimensions)

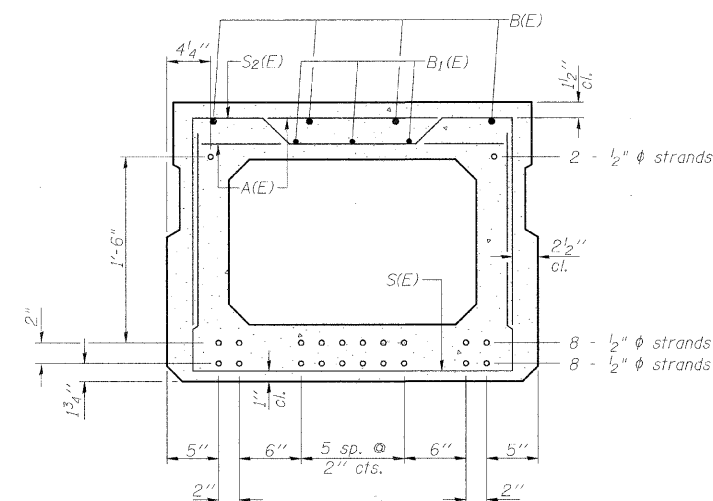


VIEW B-B



PLAN VIEW

Note: Spacing of S(E) and S2(E) bars may be adjusted up to 4" in the immediate area of the transverse tie diaphragms to miss the block outs for the transverse ties.



SECTION A-A

(Showing reinforcement and permissible strand locations)

18 - 1/2" ϕ Strands, Each Strand Stressed to 30,900 Lbs.
8 - Strands 1 3/4" up, 8 - Strands 3 3/4" up, and 2 - Strands 2 1/4" up.

Note: Place the number of strands specified in each row symmetrically about the centerline of beam in the permissible strand locations shown.

BAR LIST
ONE BEAM ONLY
(For information only)

Bar	No.	Size	Length	Shape
A(E)	54	#4	2'-7"	—
B(E)	8	#5	29'-11"	—
B1(E)	6	#4	29'-8"	—
S(E)	81	#4	6'-5"	U
S1(E)	10	#4	5'-11"	U
S2(E)	70	#4	6'-2"	U
U(E)	8	#5	4'-6"	U
U1(E)	4	#4	5'-0"	U

Note: See sheet 3 of 6 for additional details and Bill of Material.

27" X 36" PPC DECK BEAMS
STRUCTURE NO. 058-3378

SUPERSTRUCTURE			
Date	Designed MJP	F.A.S. 548 OVER LAKE FORK CREEK SECTION 05-00196-00-BR MACON COUNTY STA. 15+00.00 PROP. STR. NO. 058-3378	Sheet No.
Revisions	Drawn BKN		2
	Checked KWB		of 6
	Approved KWB		JRS Job No. 36431681
Prepared by: URS 345 East Ash Avenue Decatur, IL 62526			