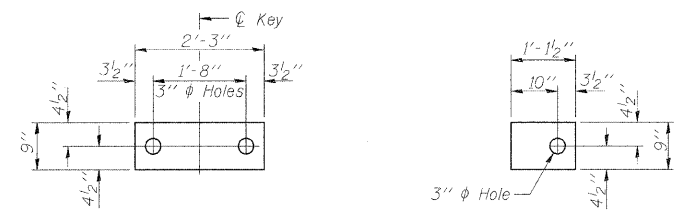
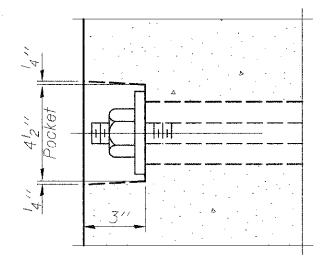


ROUTE NO.	SECTION	COUNTY	TOTAL SHEETS	SHEET NO.
F.A.S. 548	05-00196-00-BR	MACON	17	14
FED. ROAD DIST. NO.	ILLINOIS PROJECT: ARA-0548(103)			

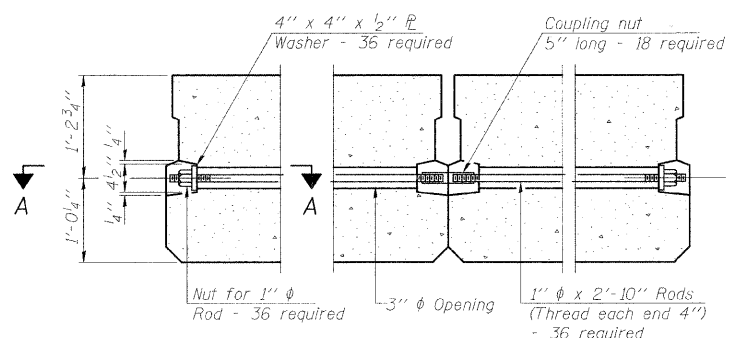
CONTRACT NO. 95599



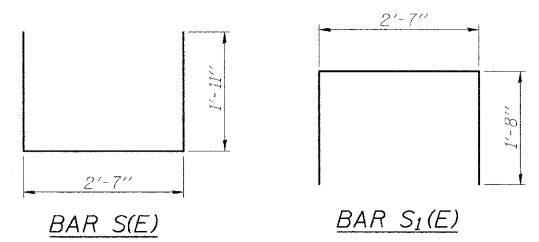
**FABRIC BEARING PAD**  
(Interior) **FIXED**  
**FABRIC BEARING PAD**  
(Exterior)



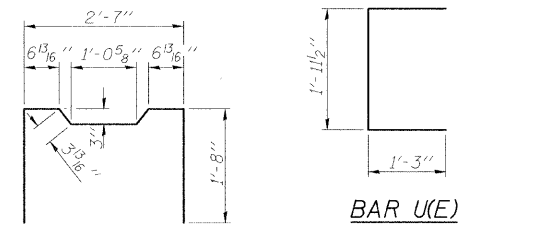
**SECTION A-A**



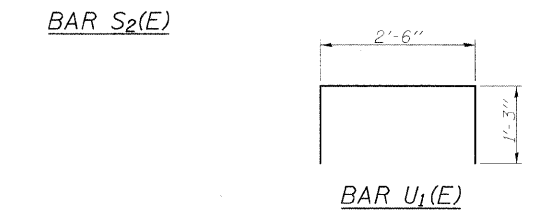
**TYPICAL TRANSVERSE TIE ASSEMBLY**



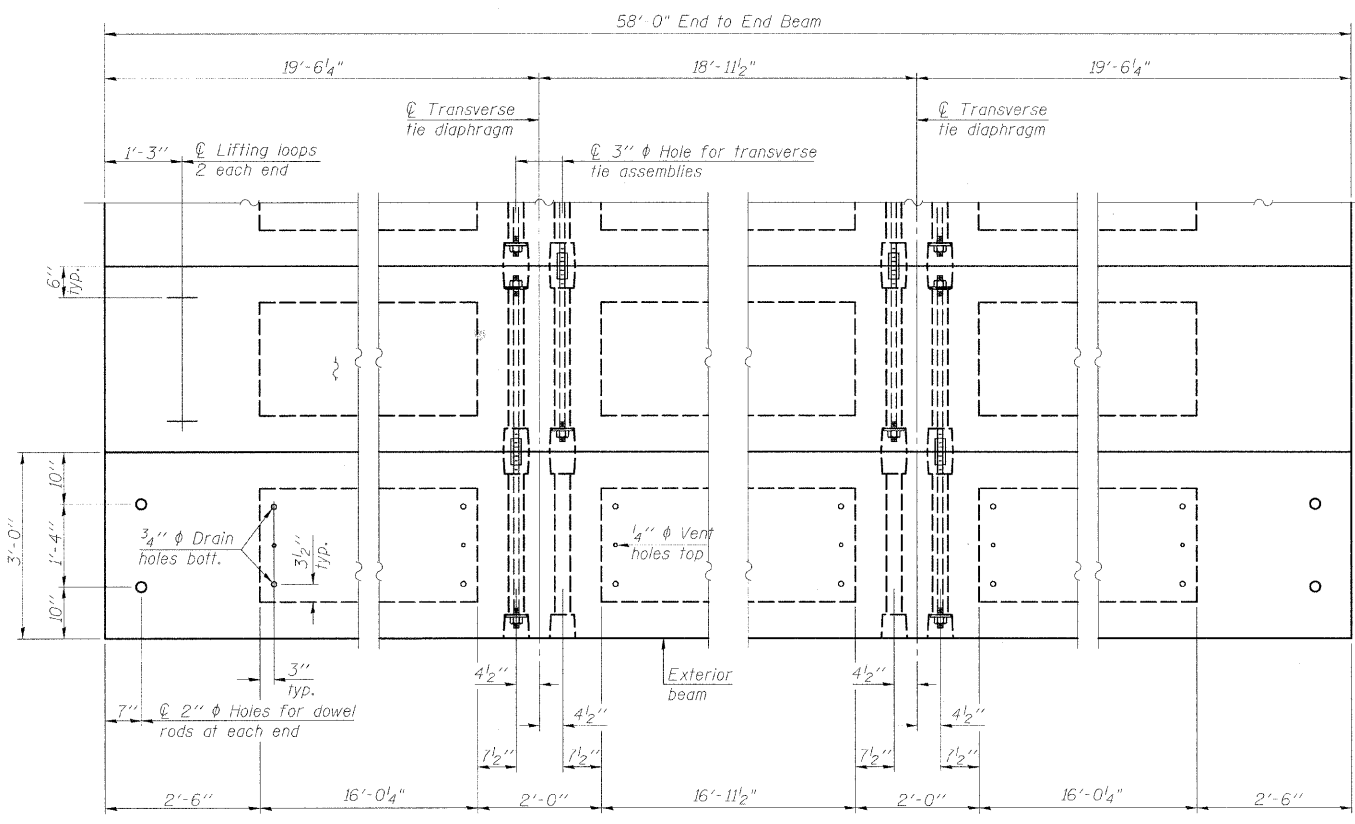
**BAR S(E)** **BAR S1(E)**



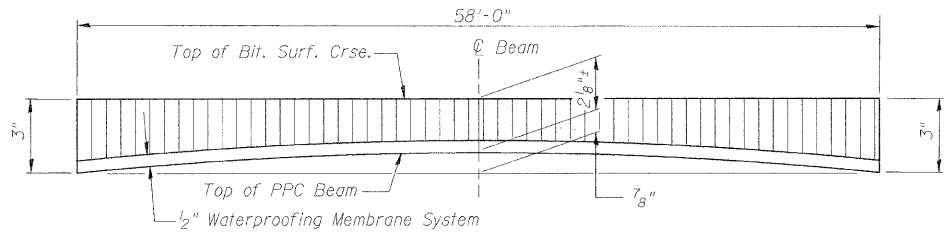
**BAR U(E)**



**BAR S2(E)** **BAR U1(E)**



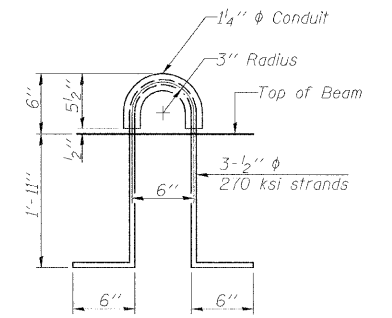
**PLAN VIEW**



**ANTICIPATED CAMBER DIAGRAM**

**NOTES**

Prestressing steel shall be uncoated high strength, low relaxation 7-wire strand, Grade 270. The nominal diameter shall be 1/2" and the nominal cross-sectional area shall be 0.153 sq. in. The 1" rods in the transverse tie assembly shall be tightened to a snug fit and the threads set. Pockets on exterior faces of bridge shall be filled with grout after transverse tie assembly is in place. Reinforcement bars shall conform to ASTM A 706, Grade 60. (See Special Provisions). Two 1/8" fabric adjusting shims of the dimensions of the exterior bearing pad shall be provided for each bearing pad location. A minimum 2 1/2" lifting pin shall be used to engage the lifting loops during handling. Corrosion inhibitor, per Article 1020.05(b)(12) and 1021.06 of the Standard Specifications, shall be used in the concrete for precast prestressed concrete deck beams. Compressive strength of prestressed concrete, f'c, shall be 6000 psi. Compressive strength of prestressed concrete at release, f'cl, shall be 5000 psi.



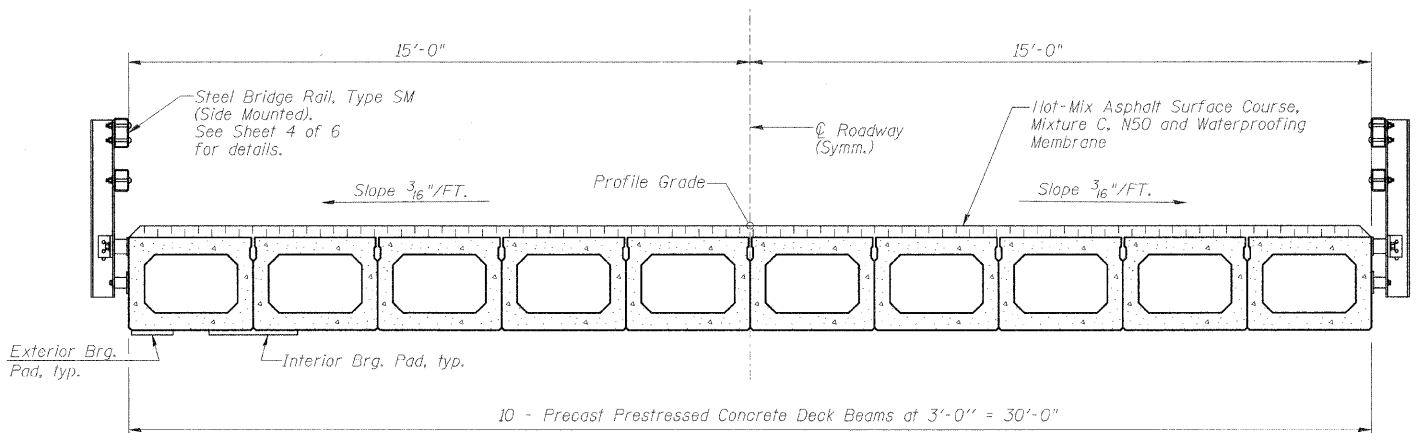
**LIFTING LOOP DETAIL**

Note: Connect beams in pairs with the transverse tie configuration shown.

**BILL OF MATERIAL**

Precast Prestressed Conc. Deck Bms. (27" depth)	Sq. Ft.	1740
---	---------	------

**27" X 36" PPC DECK BEAM DETAILS**  
**STRUCTURE NO. 058-3378**



**CROSS SECTION**

**SUPERSTRUCTURE DETAILS**

Date	Designed MJP	F.A.S. 548 OVER LAKE FORK CREEK SECTION 05-00196-00-BR MACON COUNTY STA. 15+00.00 PROP. STR. NO. 058-3378	Sheet No.
Revisions	Drawn BKN		<b>3</b>
	Checked KWB		
	Approved KWB		
Prepared by:	<b>URS</b> 345 East Ash Avenue Decatur, IL 62526		of 6 URS Job No. 36431681