

SUMMARY OF QUANTITIES

ROUTE	COUNTY	SECTION	SHEET/OF
FAS 1870	RANDOLPH	09-00035-07-RS	2/6
CONTRACT NO. 97396			

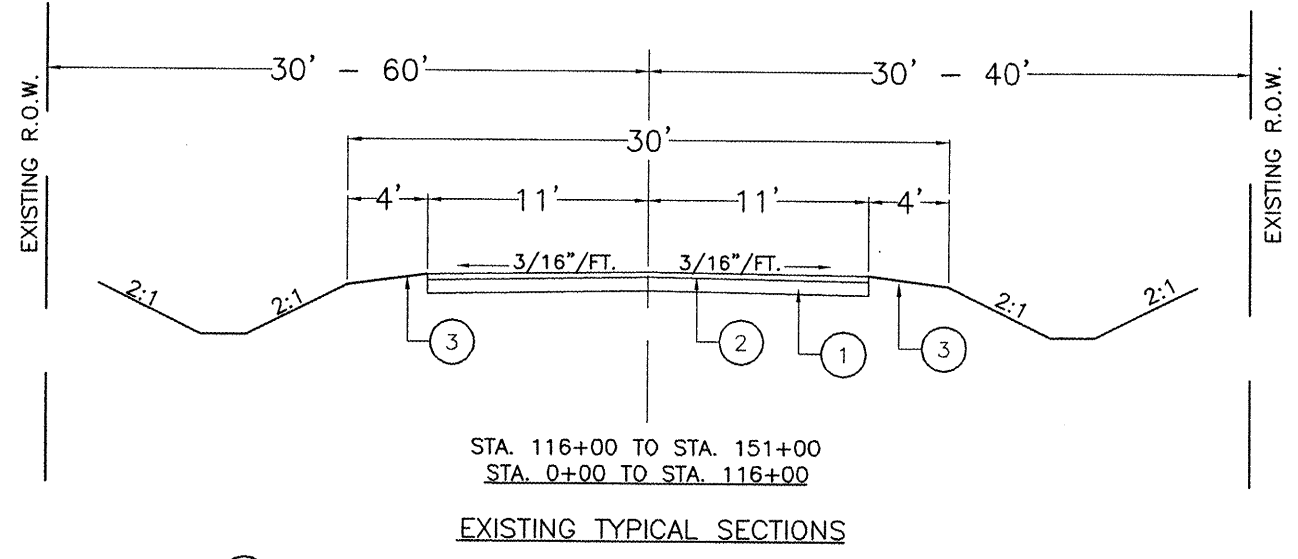
PAY ITEM	ITEM	UNIT	QUANTITY
28100807	STONE DUMPED RIP RAP, CLASS A4	TON	33
40600100	BITUMINOUS MATERIALS (PRIME COAT)	GALLON	2,768
40600635	LEVELING BINDER (MACHINE METHOD), N70	TON	2,512
40600982	HOT-MIX ASPHALT SURFACE REMOVAL - BUTT JOINT	SQ YD	196
40603315	HOT-MIX ASPHALT SURFACE COURSE, MIX "C", N70	TON	2,700
44000153	HOT-MIX ASPHALT SURFACE REMOVAL, 1"	SQ YD	971
44201713	CLASS D PATCHES, TYPE I, 6 INCH	SQ YD	13.30
44201717	CLASS D PATCHES, TYPE II, 6 INCH	SQ YD	75.10
44201721	CLASS D PATCHES, TYPE III, 6 INCH	SQ YD	34.20
48101200	AGGREGATE SHOULDERS, TYPE B	TON	950
54010504	PRECAST CONCRETE BOX CULVERT 5'X4'	FOOT	66
54200439	PIPE CULVERTS, TYPE 1 RCCP 24"	FOOT	60
54201273	PIPE CULVERTS, TYPE 2 RCCP 18"	FOOT	66
54201285	PIPE CULVERTS, TYPE 2 RCCP 30"	FOOT	82
54201291	PIPE CULVERTS, TYPE 2 RCCP 36"	FOOT	67
54201303	PIPE CULVERTS, TYPE 2 RCCP 48"	FOOT	77
54202119	PIPE CULVERTS, TYPE 3 RCCP 24"	FOOT	88
54202953	PIPE CULVERTS, TYPE 4 RCCP 18"	FOOT	47
67100100	MOBILIZATION	L SUM	1
70100450	TRAFFIC CONTROL AND PROTECTION, STANDARD 701201	L SUM	1
70100460	TRAFFIC CONTROL AND PROTECTION, STANDARD 701306	L SUM	1
70300100	SHORT-TERM PAVEMENT MARKING	FOOT	3,018
70300200	TEMPORARY PAVEMENT MARKING	FOOT	55,396
*78000100	THERMOPLASTIC PAVEMENT MARKING - LETTERS AND SYMBOLS	SQ FT	122
*78000650	THERMOPLASTIC PAVEMENT MARKING - LINE 24"	FOOT	66
*78001110	PAINT PAVEMENT MARKING - LINE 4"	FOOT	55,396
*78100100	RAISED REFLECTIVE PAVEMENT MARKER	EACH	206
*78100105	RAISED REFLECTIVE PAVEMENT MARKER (BRIDGE)	EACH	3
Z0048665	RAILROAD PROTECTIVE LIABILITY INSURANCE	L SUM	1

* DENOTES SPECIALTY ITEM.

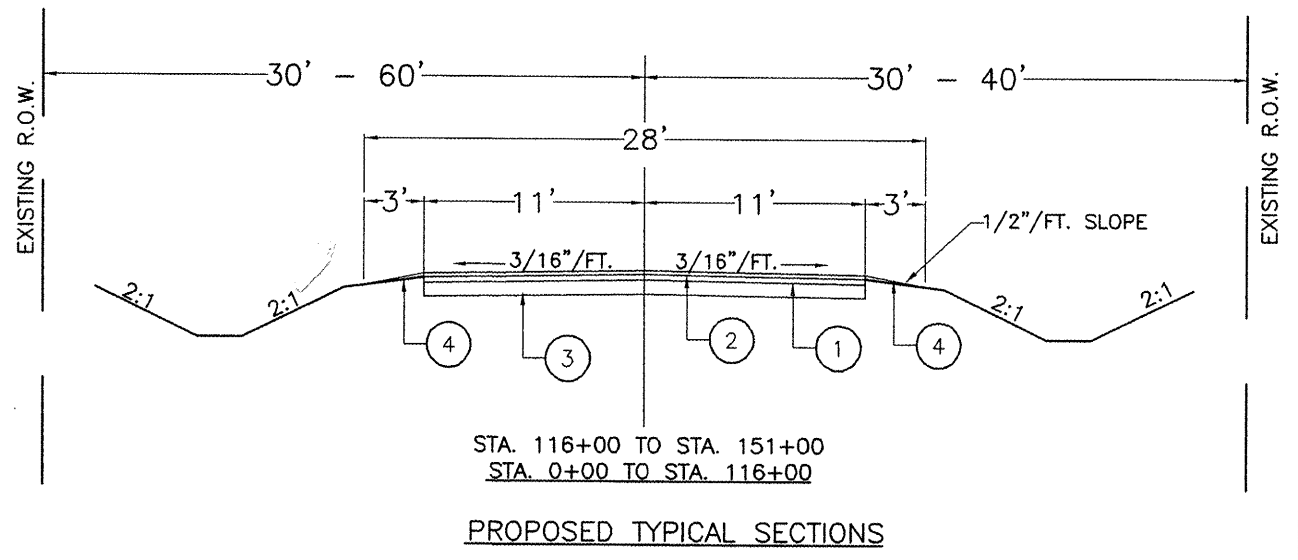
GENERAL NOTES:

1. BITUMINOUS MATERIALS (PRIME COAT) SHALL BE APPLIED AT THE RATE OF 0.075 GALLONS PER SQUARE YARD. EMULSIFIED ASPHALT SHALL BE USED.
2. SHORT-TERM PAVEMENT MARKING APPLIED TO LEVELING BINDER AND FINAL SURFACE
3. PROPOSED PAVEMENT MARKINGS SHALL MATCH EXISTING PAVEMENT MARKINGS.

HOT-MIX ASPHALT MIXTURE REQUIREMENTS		
MIXTURE USE	SURFACE	LEVELING BINDER
PG	PG 64-22	PG 64-22
RAP %(MAX)	10 %	15 %
DESIGN AIR VOIDS	4.0% @ Ndes=70	4.0 % @ Ndes=70
MIX COMPOSITION (GRADATION MIXTURE)	IL 9.5	IL 9.5
FRICTION AGG	MIXTURE C	
MIXTURE WEIGHT	112 LB/SY/IN	112 LB/SY/IN



- ① EXISTING AGGREGATE BASE - 8"
- ② EXISTING BITUMINOUS MIXTURE COMPLETE - 2"
- ③ EXISTING TURF SHOULDER



- ① PROPOSED LEVELING BINDER (MACHINE METHOD), N70 - 1 1/4"
- ② PROPOSED HOT-MIX ASPHALT SURFACE COURSE, MIX "C", N70 - 1 1/4"
- ③ EXISTING AGGREGATE BASE COURSE - 8"
- ④ PROPOSED AGGREGATE SHOULDERS, TYPE B