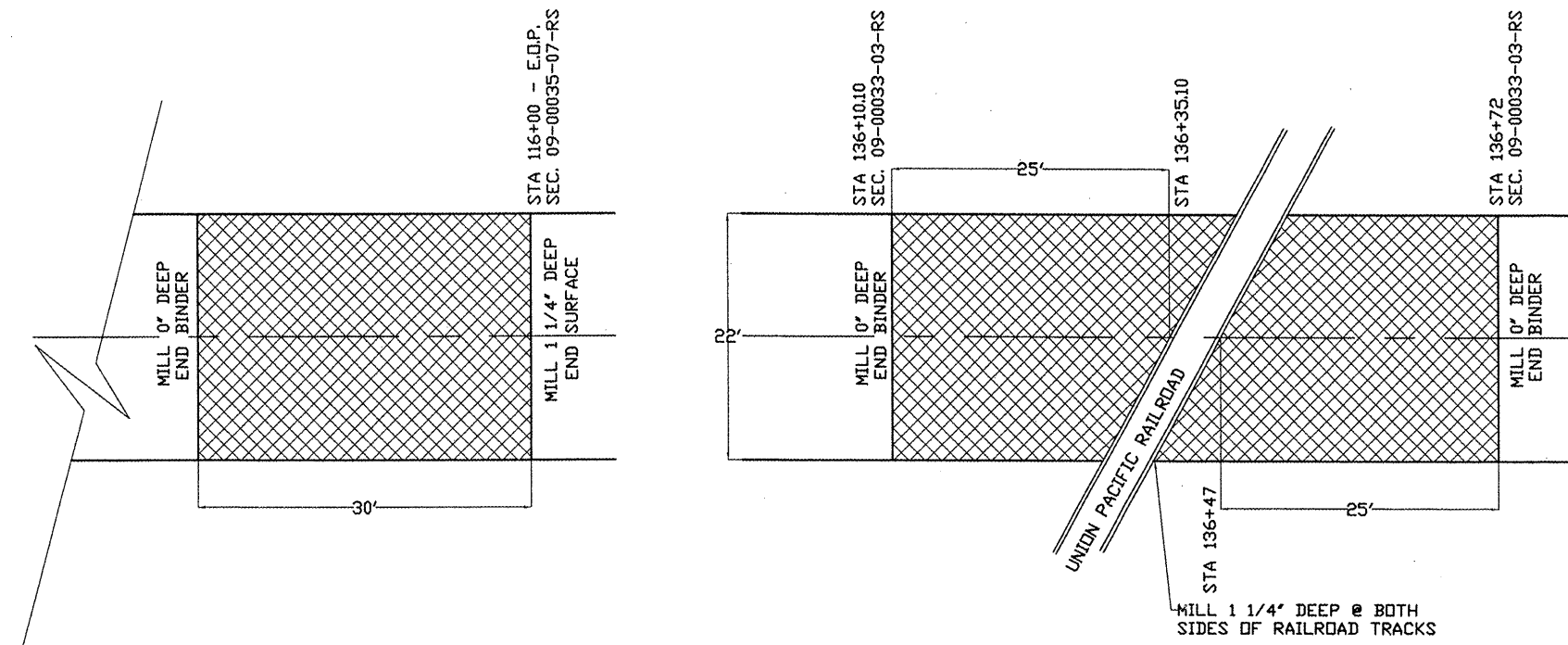
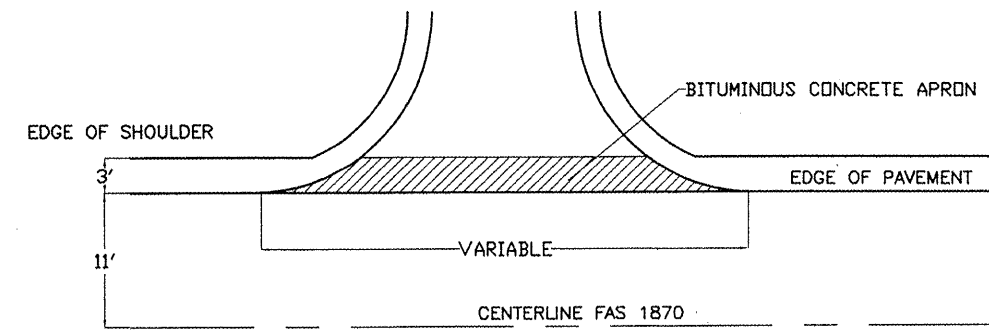


ROUTE	COUNTY	SECTION	SHEET/OF
FAS 1870	RANDOLPH	09-00035-07-RS	5/6
CONTRACT NO 97396			

HOT-MIX ASPHALT SURFACE REMOVAL - BUTT JOINT DETAILS



ENTRANCE AND SIDE ROAD DETAIL



HOT-MIX ASPHALT SURFACE REMOVAL, 1"

