

DETAIL "B"
(NOT TO SCALE)

INTERNAL GROUND LUG. CONNECT EQUIPMENT GROUND WIRES WITH ONE HOLE COMPRESSION LUG, PENN-UNION CAT. NO. BLU-8S17 OR EQUAL & STAINLESS STEEL NUTS & BOLTS.

EXTERNAL GROUND LUG WITH BOLTED CONNECTOR SUITABLE FOR DIRECT BURIAL IN EARTH OR CONCRETE

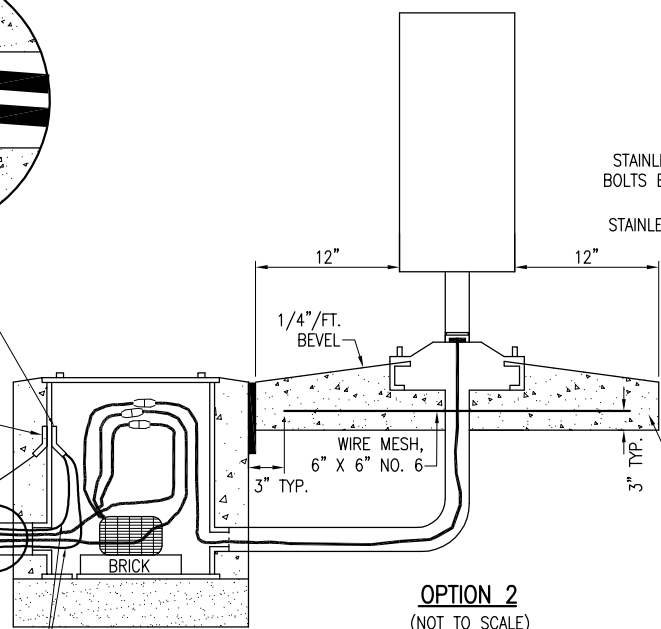
SEE DETAIL "B" ON THIS SHEET

#6 AWG CU

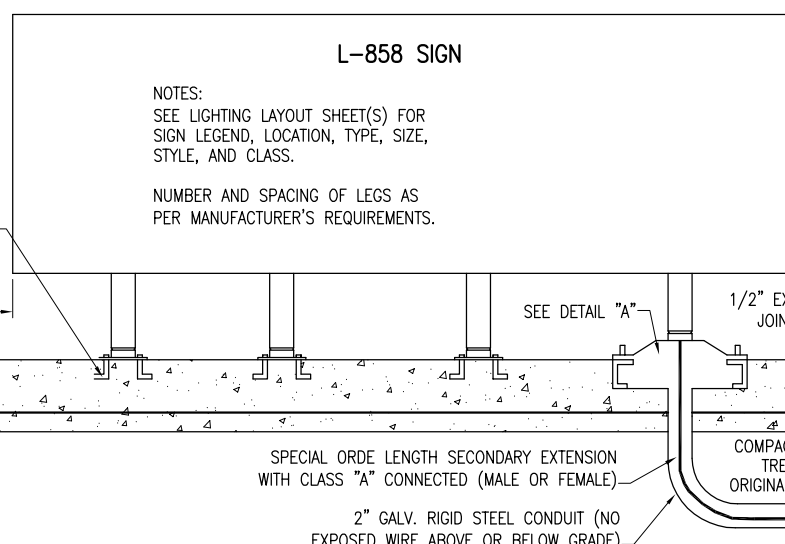
UL LISTED COPPERCLAD GROUND ROD 3/4" DIA x 50 FT. LONG (5-10 FT. GND RODS COUPLED TOGETHER).

1/C, #8, 5 KV, L-824 TYPE C CABLE WITH 1/C #8 EQUIPT. GND

#8 AWG EQUIPT GROUND WIRE



OPTION 2
(NOT TO SCALE)



OPTION 1
(NOT TO SCALE)

THE LOCATION OF UNDERGROUND UTILITIES AS INDICATED ON THE PLANS HAS BEEN OBTAINED FROM EXISTING RECORDS. NEITHER THE OWNER NOR THE ENGINEER ASSUMES ANY RESPONSIBILITY WHATSOEVER, IN RESPECT TO THE ACCURACY OR SUFFICIENCY OF THE INFORMATION AND THERE IS NO GUARANTEE, EITHER EXPRESSED OR IMPLIED, THAT THE CONDITIONS ARE REPRESENTATIVE OF THOSE TO BE ENCOUNTERED IN THE CONSTRUCTION.

L-858 SIGN

NOTES:
SEE LIGHTING LAYOUT SHEET(S) FOR SIGN LEGEND, LOCATION, TYPE, SIZE, STYLE, AND CLASS.

NUMBER AND SPACING OF LEGS AS PER MANUFACTURER'S REQUIREMENTS.

STAINLESS STEEL HOOK TYPE BOLTS EMBEDDED MINIMUM OF 6" IN CONCRETE AND STAINLESS STEEL NUTS (TYP.)

PROVIDE A MINIMUM OF THREE FEET SLACK IN EACH PRIMARY CABLE AND SECONDARY EXTENSION

COVER BOLTS
SLOPE TO DRAIN AWAY FROM L-867 BASE
EXTERNAL GROUND LUG WITH BOLTED CONNECTOR SUITABLE FOR DIRECT BURIAL IN EARTH OR CONCRETE

FINISHED GRADE
610 CONCRETE 4" MIN. THICK
L-830 TRANSFORMER, SIZE AS REQUIRED BY SIGN MANUFACTURER

SHRINK TUBE
1/C, #8, 5 KV, L-824 TYPE C CABLE WITH 1/C #8 EQUIPT. GND

3" HUB CONDUIT EXTENSION
L-867 BASE
6" MINIMUM SAND BACKFILL

UL LISTED COPPERCLAD GROUND ROD 3/4" DIA x 50 FT. LONG (5-10 FT. GND RODS COUPLED TOGETHER).

#6 AWG CU

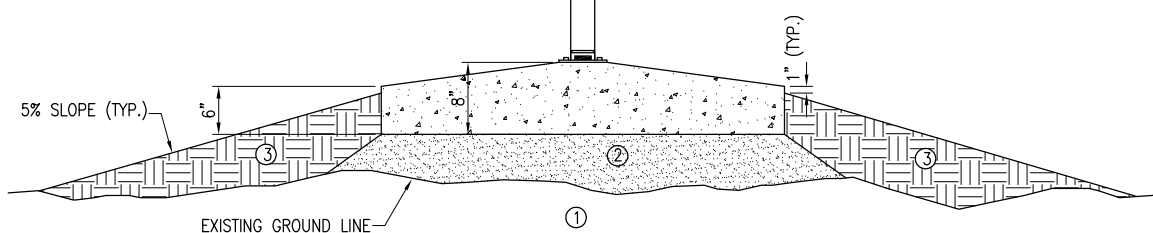
INTERNAL GROUND LUG. CONNECT EQUIPMENT GROUND WIRES WITH ONE HOLE COMPRESSION LUG, PENN-UNION CAT. NO. BLU-8817 & STAINLESS STEEL NUTS & BOLTS.

#8 AWG EQUIPT GROUND WIRE
3/4" DIA. WEEP HOLE
COLOR CODED TAPE FOR WIRE IDENTIFICATION LOCATED WITHIN 6" OF L-823 CONNECTOR

GENERAL NOTES

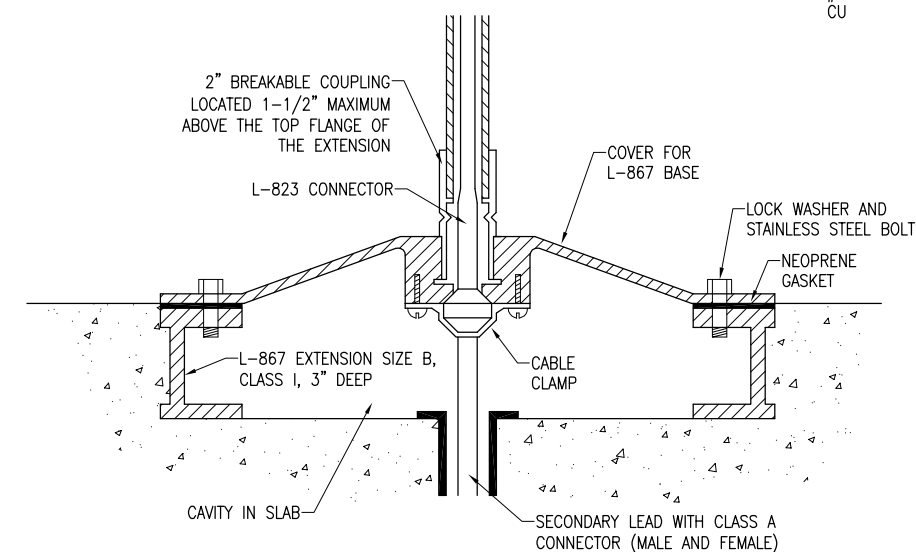
SEE LIGHTING LAYOUT SHEET FOR SIGN LEGEND, LOCATION, TYPE, SIZE, STYLE, AND CLASS.

SEE SHEETS 11 THROUGH 12 FOR ELECTRICAL NOTES.

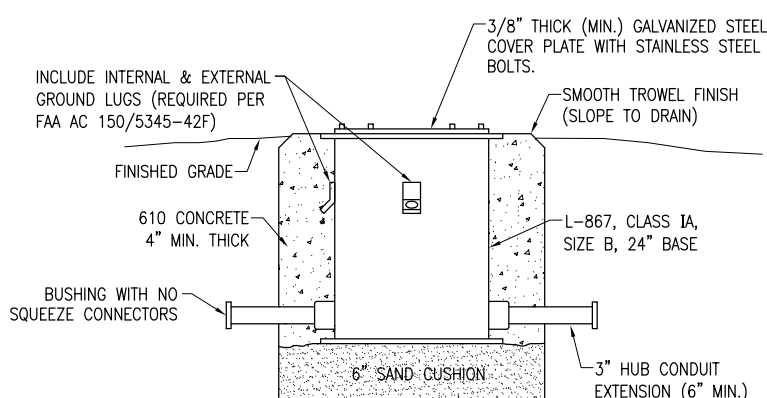


SIGN DETAIL
(NOT TO SCALE)

- ① EXISTING SOD TO BE STRIPPED AND REMOVED
- ② SAND BACKFILL, VARIABLE DEPTH
- ③ PROPOSED TOPSOIL BACKFILL MATERIAL



DETAIL "A"
(NOT TO SCALE)



TRANSFORMER BASE/SPLICE CAN DETAIL
(NOT TO SCALE)

NOTE:
FOR THE PURPOSE OF ENHANCING SAFETY, EACH BASE MUST HAVE INSTALLED, BY THE MANUFACTURER, AN INTERNAL AND EXTERNAL GROUND STRAP THAT IS AVAILABLE FOR THE PURPOSE OF ATTACHING A GROUND LUG THAT IS CONNECTED TO AN EARTH GROUND OR A SAFETY GROUND CONDUCTOR INSTALLED WITH THE RESPECTIVE CIRCUIT. FOR AIRPORT PROJECTS RECEIVING FEDERAL FUNDS THIS REQUIREMENT IS MANDATORY PER FAA AC 150/5345-42F.

PER FAA AC 150/5340-30C DESIGN AND INSTALLATION DETAILS FOR AIRPORT VISUAL AIDS, A SAFETY GROUND MUST BE INSTALLED AT EACH LIGHT FIXTURE. A SAFETY GROUND SHALL BE INSTALLED AT EACH STAKE MOUNTED LIGHT AND EACH TRANSFORMER BASE/LIGHT CAN ASSOCIATED WITH RUNWAY LIGHTS, TAXIWAY LIGHTS, AND LIGHTED TAXI GUIDANCE SIGNS. THE SAFETY GROUND SHALL BE A #6 AWG BARE COPPER CONDUCTOR CONNECTED TO THE GROUND LUG ON THE RESPECTIVE L-867 TRANSFORMER BASE/LIGHT CAN OR MOUNTING STAKE AND A UL LISTED COPPER CLAD GROUND ROD. THE GROUND RODS FOR STAKE MOUNTED LIGHTS SHALL BE 3/4 INCH DIAMETER BY 10-FOOT LONG. THE GROUND RODS FOR BASE MOUNTED LIGHTS SHALL BE 3/4 INCH DIAMETER BY 50-FOOT LONG (5-10 FT. GROUND RODS COUPLED TOGETHER). ALL MOUNTING STAKES AND BASE CANS ASSOCIATED WITH THE TAXIWAY LIGHTING SYSTEM SHALL BE BONDED TOGETHER WITH A #8 AWG EQUIPMENT GROUND WIRE RUN WITH THE 5000 VOLT SERIES CIRCUIT CONDUCTOR.

REVISION	DATE	BY

TRI-TOWNSHIP AIRPORT
SAVANNA, CARROLL COUNTY
ILLINOIS

Hanson Project No. 09A0033D_0800	FILENAME R-541ELE.DWG	SCALE NOT TO SCALE	DATE 08/14/09
LAYOUT	KNL	07/30/09	
DRAWN	MV	07/30/09	
REVIEWED	CAH	07/30/09	

Hanson Professional Services Inc.
1525 South Sixth Street
Springfield, Illinois 62703-2886
Chicago, Nationwide

REPLACE MITL SYS.,
INSTALL APRON LTS

PROPOSED
ELECTRICAL DETAILS
SHEET 1