

STATE OF ILLINOIS
DEPARTMENT OF TRANSPORTATION
DIVISION OF HIGHWAYS

**PROPOSED
IMPROVEMENTS**

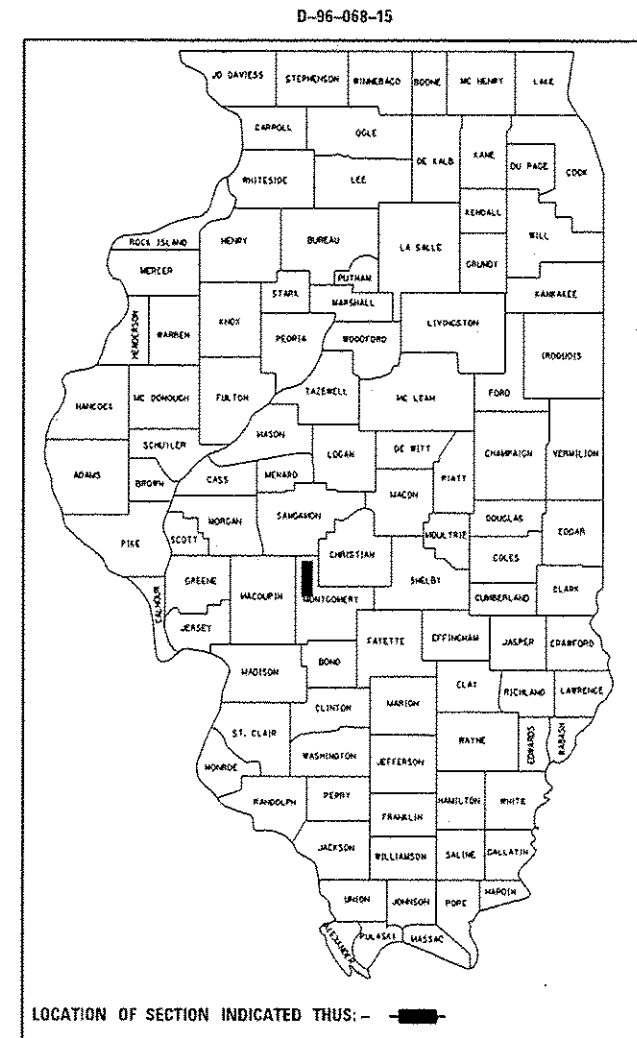
FAI 55 (FR I-55 EAST)
(68-5) Q-3, I
BITUMINOUS SURFACE TREATMENT

MONTGOMERY CO.

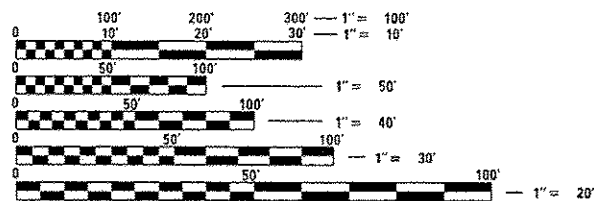
C-96-068-15

F.A.I. RTE.	SECTION	COUNTY	TOTAL SHEETS	SHEET NO.
55	(68-5) 0-3, I	MONTGOMERY	8	1
		ILLINOIS		CONTRACT NO. 72H91

FOR INDEX OF SHEETS, SEE SHEET NO. 2



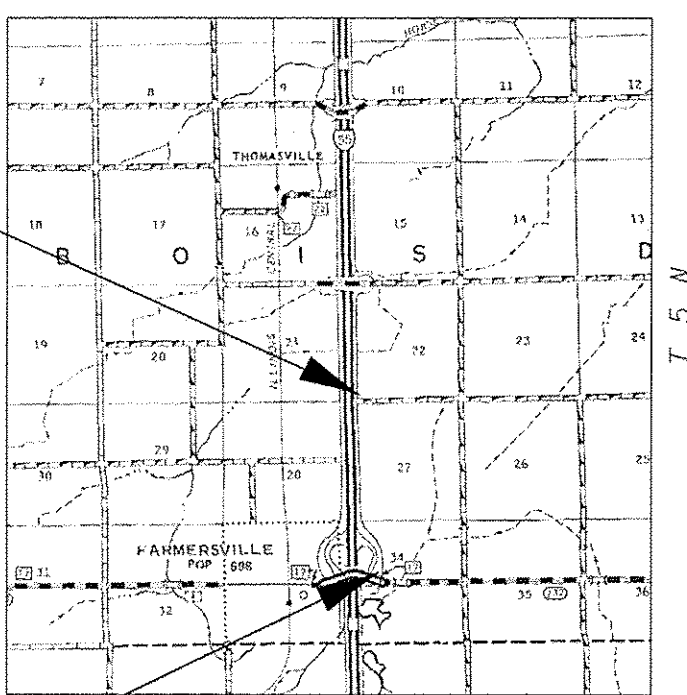
ADT = 25
SU = UNKNOWN
MU = UNKNOWN



FULL SIZE PLANS HAVE BEEN PREPARED USING STANDARD ENGINEERING SCALES. REDUCED SIZED PLANS WILL NOT CONFORM TO STANDARD SCALES. IN MAKING MEASUREMENTS ON REDUCED PLANS, THE ABOVE SCALES MAY BE USED.

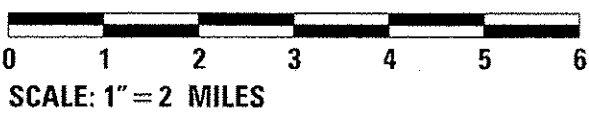
J.U.L.I.E.
JOINT UTILITY LOCATION INFORMATION FOR EXCAVATION
1-800-892-0123
OR 811

BEGIN PROJECT
STA. 969+50.00



END PROJECT
STA. 1052+15.09

NET LENGTH OF SECTION - 8,265.09 FOOT = 1.565 MILES



PROJECT ENGINEER : MIKE IRWIN - (217)524-7765
PROJECT MANAGER : TIM SHARP - (217)524-9160

CONTRACT NO. 72H91

STATE OF ILLINOIS
DEPARTMENT OF TRANSPORTATION
DIVISION OF HIGHWAYS

SUBMITTED August 22, 2015
By: [Signature]
DEPUTY DIRECTOR OF HIGHWAYS, REGION ENGINEER

Oct 2, 2015
John D. Baranzelli, P.E. [Signature]
acting ENGINEER OF DESIGN AND ENVIRONMENT

Oct 2, 2015
Omer Osman, P.E. [Signature]
DIRECTOR OF HIGHWAYS, CHIEF ENGINEER

PRINTED BY THE AUTHORITY
OF THE STATE OF ILLINOIS

INDEX OF SHEETS

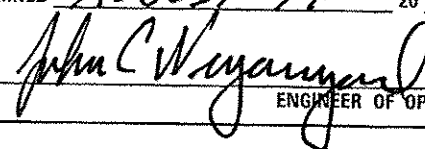

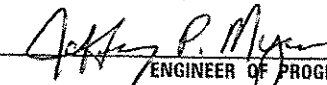
1. COVER
2. INDEX OF SHEETS, GENERAL NOTES, AND HIGHWAY STANDARDS
3. SUMMARY OF QUANTITIES
4. PLANS
- 5-6. TYPICAL SECTIONS
7. SCHEDULES
8. BUTT JOINT DETAILS

HIGHWAY STANDARDS

- 701201-04 LANE CLOSURE, 2L, 2W, DAY ONLY, FOR SPEEDS > 45 MPH
- 701301-04 LANE CLOSURE, 2L, 2W, SHORT TIME OPERATIONS
- 701306-03 LANE CLOSURE, 2L, 2W, SLOW MOVING OPERATIONS DAY ONLY, FOR SPEEDS > 45 MPH
- 701311-03 LANE CLOSURE, 2L, 2W, MOVING OPERATIONS - DAY ONLY
- 701901-04 TRAFFIC CONTROL DEVICES
- 781001-03 TYPICAL APPLICATIONS RAISED REFLECTIVE PAVEMENT MARKERS

GENERAL NOTES

1. ANY REFERENCE TO THE STANDARDS THROUGHOUT THE PLANS SHALL BE INTERPRETED TO BE THE LATEST STANDARDS OF THE DEPARTMENT AS INCLUDED IN THE PLANS.
2. BITUMINOUS SURFACE TREATMENT (PREVENTATIVE MAINTENANCE SHALL BE 2 SEAL COATS USING CRUSHED LIMESTONE MEETING CA 16 OR CA 20.

STATE OF ILLINOIS DEPARTMENT OF TRANSPORTATION DIVISION OF HIGHWAYS DISTRICT 6	
EXAMINED	<u>AUGUST 14th</u> 20 <u>15</u>  ENGINEER OF OPERATIONS
EXAMINED	<u>August 10</u> 20 <u>15</u>  ENGINEER OF PROJECT IMPLEMENTATION
EXAMINED	<u>August 20</u> 20 <u>15</u>  ENGINEER OF PROGRAM DEVELOPMENT

CODE NO.	ITEM	UNIT	TOTAL QUANTITY	CONSTR. CODE	
				100 % STATE	ROADWAY
				0005	RURAL
35800100	PREPARATION OF BASE	SO YD	1,650	1,650	
40600275	BITUMINOUS MATERIALS (PRIME COAT)	POUND	3,193	3,193	
40600982	HOT-MIX ASPHALT SURFACE REMOVAL - BUTT JOINT	SO YD	801	801	
40600990	TEMPORARY RAMP	SO YD	306	306	
40600525	LEVELING BINDER (HAND METHOD), N50	TON	34	34	
40600625	LEVELING BINDER (MACHINE METHOD), N50	TON	993	993	
40800050	INCIDENTAL HOT-MIX ASPHALT SURFACE	TON	51	51	
48101200	AGGREGATE SHOULDERS, TYPE B	TON	123	123	
67100100	MOBILIZATION	L SUM	1	1	
70100450	TRAFFIC CONTROL AND PROTECTION, STANDARD 701201	L SUM	1	1	
70100460	TRAFFIC CONTROL AND PROTECTION, STANDARD 701306	L SUM	1	1	
X0326216	BITUMINOUS SURFACE TREATMENT (PREVENTATIVE MAINTENANCE)	SO YD	37,944	37,944	

FILE NAME *	USER NAME * Sharptd	DESIGNED -	REVISED -
S:\CONTRACT\MINT_CA0172H91 - FAI 55 (FR 1-55	EAST) - RESURFACE - MONT.CO\Plans\0672H91-08-50\Adgn	CHECKED -	REVISED -
Default	PLOT SCALE * 100.0000' / 1"	DATE -	REVISED -
	PLOT DATE * 8/25/2015		

**STATE OF ILLINOIS
DEPARTMENT OF TRANSPORTATION**

SUMMARY OF QUANTITIES

SCALE: _____ SHEET _____ OF _____ SHEETS STA. _____ TO STA. _____

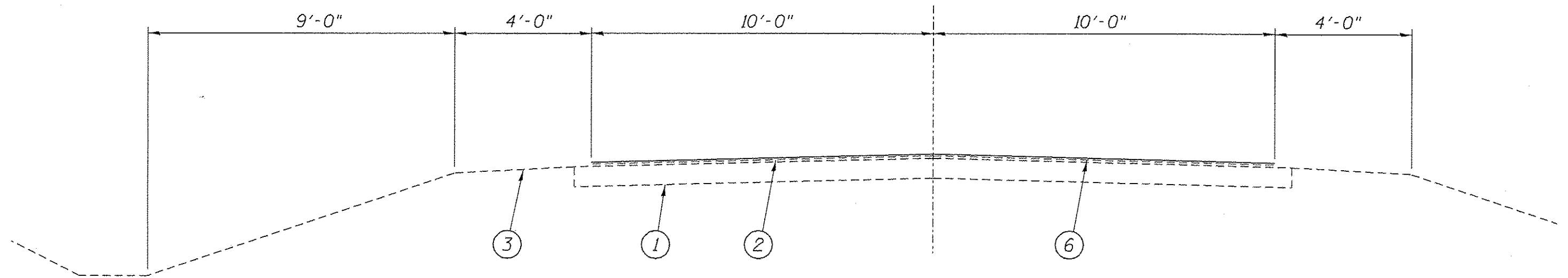
F.A.I. RTE.	SECTION	COUNTY	TOTAL SHEETS	SHEET NO.
56	(68-5) 0-3, I	MONTGOMERY	8	3
			CONTRACT NO. 72H91	
ILLINOIS FED. AID PROJECT				

END PROJECT
STA. 1052+15.09

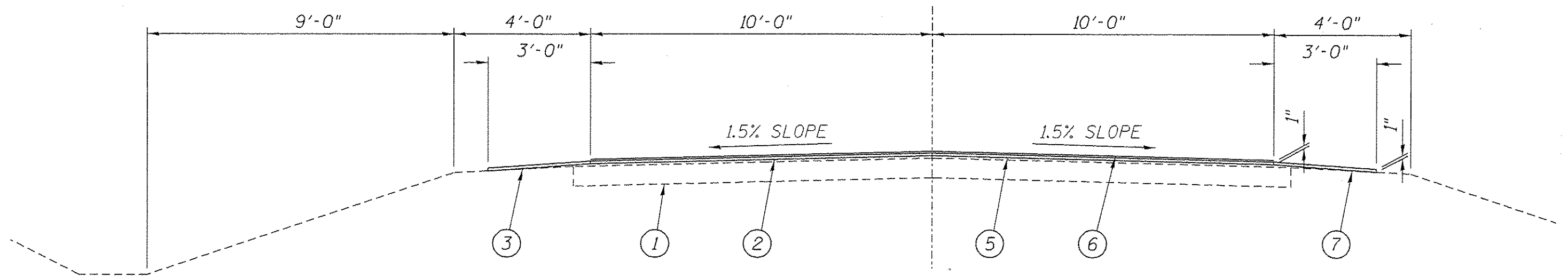


BEGIN PROJECT
STA. 969+50.00

FILE NAME :	USER NAME = Sharptd	DESIGNED -	REVISED -	STATE OF ILLINOIS DEPARTMENT OF TRANSPORTATION	PLAN		F.A.I. RTE.	SECTION	COUNTY	TOTAL SHEETS	SHEET NO.
S:\CONTRMAINT_CAD\72H91 - FAI 55 (FR 1-5)	EAST) - RESURFACE - MONT.CO\Plans\0672H91-1-5	CHECKED -	REVISED -				55	(68-5) D-3, 1	MONTGOMERY	8	4
PLOT SCALE = 10.0000 1/2 in.		DATE	REVISED -				CONTRACT NO. 72H91				
Default	PLOT DATE = 8/26/2015						ILLINOIS FED. AID PROJECT				
				SCALE: _____ SHEET OF SHEETS STA. _____ TO STA. _____							



STA. 969+50.00 TO STA. 1025+00.00



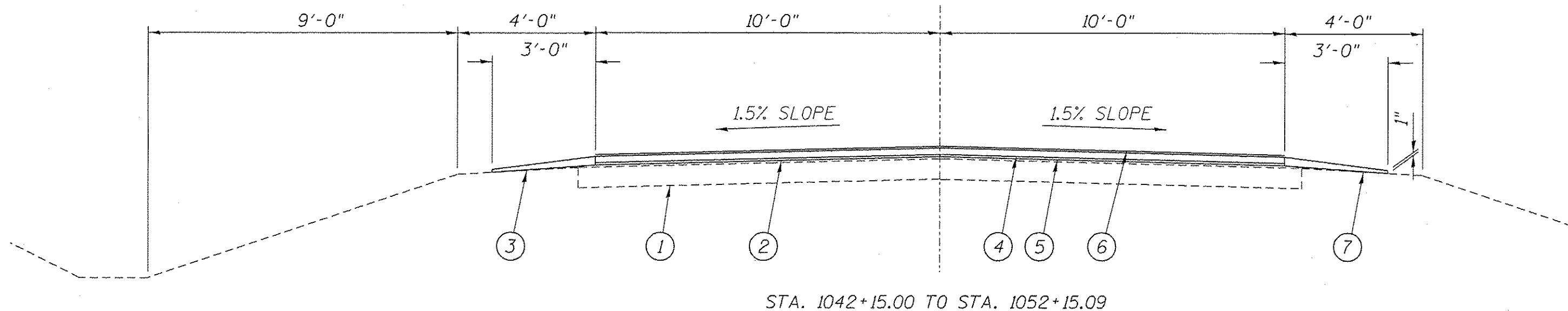
STA. 1025+00.00 TO STA. 1042+15.00

LEGEND

- 1 - EXIST. 7" AGGREGATE BASE COURSE
- 2 - EXIST. BITUMINOUS SURFACE TREATMENT
- 3 - EXIST. EARTH SHOULDERS
- 4 - PROP. LEVELING BINDER (MACHINE METHOD), N50, 2"
- 5 - PROP. LEVELING BINDER (MACHINE METHOD), N50, 1" (MINIMUM)
- 6 - PROP. BITUMINOUS SURFACE TREATMENT (PREVENTATIVE MAINTENANCE) (2 APPLICATIONS)
- 7 - PROP. AGGREGATE SHOULDERS, TYPE B

NOTES:
MATCH EXISTING S.E. IN CURVES.

FILE NAME =	USER NAME = Sharpst	DESIGNED -	REVISED -	STATE OF ILLINOIS DEPARTMENT OF TRANSPORTATION	TYPICALS				F.A.I. RTE.	SECTION	COUNTY	TOTAL SHEETS	SHEET NO.
S:\CONTRMAINT\CAD\72H91 - FAI 55 IFR 1-5	EASTI - RESURFACE - MONT.CO\Plans\0672H91-5	HUBAWH\picale.dgn	REVISED -		55	(68-5) 0-3, 1	MONTGOMERY	8	5				
PLOT SCALE = 3.0000 "/> <td>PLOT DATE = 8/26/2015</td> <td>DATE -</td> <td>REVISED -</td> <td>SCALE:</td> <td>SHEET</td> <td>OF</td> <td>SHEETS</td> <td>STA.</td> <td>TO STA.</td> <td colspan="3" style="text-align: center;">ILLINOIS FED. AID PROJECT</td>	PLOT DATE = 8/26/2015	DATE -	REVISED -		SCALE:	SHEET	OF	SHEETS	STA.	TO STA.	ILLINOIS FED. AID PROJECT		
Default											CONTRACT NO. 72H91		



LEGEND

- 1 - EXIST. 7" AGGREGATE BASE COURSE
- 2 - EXIST. BITUMINOUS SURFACE TREATMENT
- 3 - EXIST. EARTH SHOULDERS
- 4 - PROP. LEVELING BINDER (MACHINE METHOD), N50, 2"
- 5 - PROP. LEVELING BINDER (MACHINE METHOD), N50, 1" (MINIMUM)
- 6 - PROP. BITUMINOUS SURFACE TREATMENT (PREVENTATIVE MAINTENANCE) (2 APPLICATIONS)
- 7 - PROP. AGGREGATE SHOULDERS, TYPE B

NOTES:
MATCH EXISTING S.E. IN CURVES.

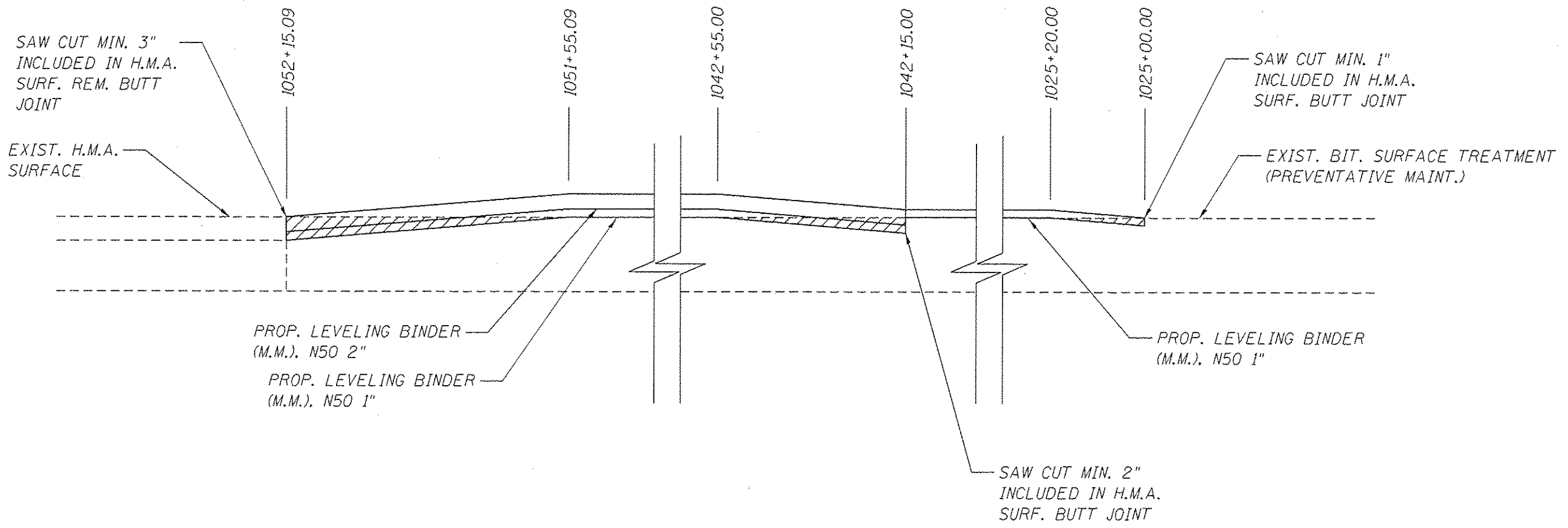
FILE NAME *	USER NAME * Sharptd	DESIGNED -	REVISED -	STATE OF ILLINOIS DEPARTMENT OF TRANSPORTATION	TYPICALS	F.A.I. RTE.	SECTION	COUNTY	TOTAL SHEETS	SHEET NO.	
S:\CONTRACT\MNT_CAD\72H91 - FAI 55 IFR 1-55	EAST1 - RESURFACE - MONT.CO\PIone\0872H91	CHBANN	REVISED -			55	168-S) 0-3, 1	MONTGOMERY	B	G	
Default	PLOT SCALE * 3/8" = 1'	CHECKED -	REVISED -			CONTRACT NO. 72H91					
	PLOT DATE * 8/26/2015	DATE -	REVISED -			ILLINOIS FED. AID PROJECT					

ENTRANCE SCHEDULE		
STATION	TYPE	INCID. BIT. SURFACING
RT STA. 1043+41.64	P.C.C. C.E.	26.1 TON
RT STA. 1047+39.14	P.C.C. C.E.	24.0 TON

NOTES:

1. STATIONS ARE APPROXIMATE.

MIXTURE REQUIREMENTS			
THE FOLLOWING MIXTURE REQUIREMENTS ARE APPLICABLE FOR THIS PROJECT			
MIXTURE USE(S):	LEVEL BIND. (M.M.)	LEVEL BIND. (H.M.)	INCIDENTAL H.M.A.
PG	PG 64-22	PG 64-22	PG 64-22
DESIGN AIR VOIDS:	4.0% @ N DESIGN = 50	4.0% @ N DESIGN = 50	4.0% @ N DESIGN = 50
MIXTURE COMP:	IL 9.5	IL 9.5	IL 9.5
FRICITION AGG:	N/A	N/A	N/A
QUALITY MANAGEMENT:	OC/OA	OC/OA	OC/OA
SUBLOT SIZE:	N/A	N/A	N/A



FILE NAME = S:\CONTRACTS\MAINT\CA0172H91 - FAI 55 IFR 1-55	USER NAME = Sherpdt	DESIGNED -	REVISED -	STATE OF ILLINOIS DEPARTMENT OF TRANSPORTATION	BUTT JOINT DETAILS		F.A.I. RTE.	SECTION	COUNTY	TOTAL SHEETS	SHEET NO.
	PLLOT SCALE = 1:2000 1/2 in.	CHECKED -	REVISED -				55	(68-5) 0-3, 1	MONTGOMERY	B	8
Default	PLLOT DATE = 8/26/2015	DATE -	REVISED -	SCALE: _____ SHEET OF SHEETS STA. _____ TO STA. _____		ILLINOIS FED. AID PROJECT CONTRACT NO. 72H91					