

STATE OF ILLINOIS
DEPARTMENT OF TRANSPORTATION

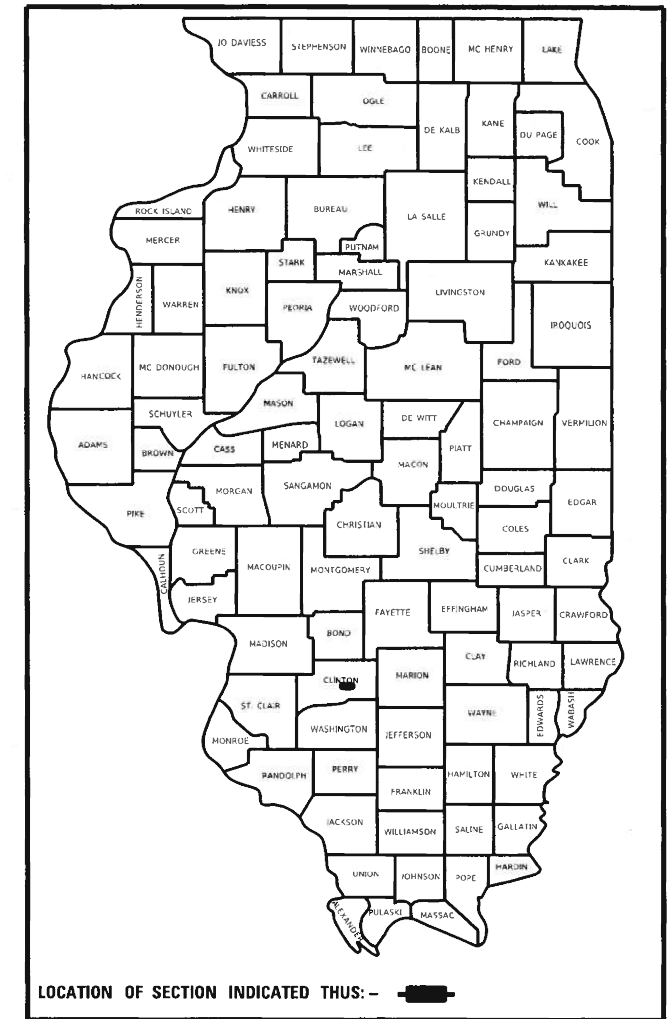
F.A.S. RTE.	SECTION	COUNTY	TOTAL SHEETS	SHEET NO.
1780	24PP-1	CLINTON	9	1
		ILLINOIS	CONTRACT NO. 76N93	

FOR INDEX OF SHEETS, SEE SHEET NO. 2

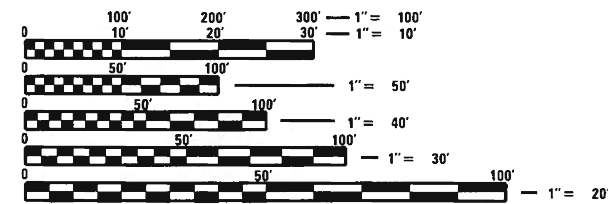
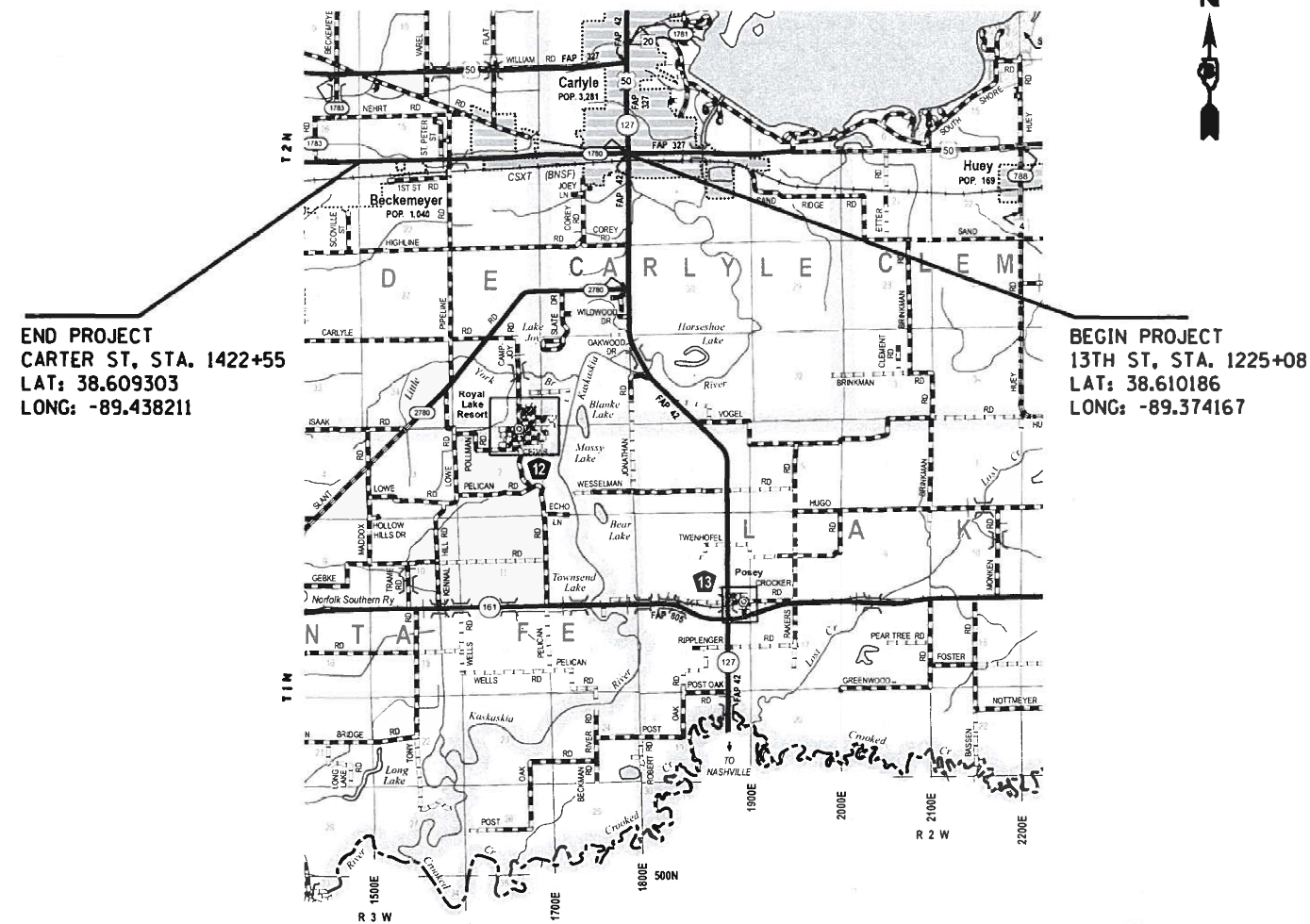
**PROPOSED
HIGHWAY PLANS**

FAS ROUTE 1780 (OLD US 50)
SECTION 24PP-1
PAVEMENT PATCHING
CLINTON COUNTY

D-98-122-20



C-98-132-20



FULL SIZE PLANS HAVE BEEN PREPARED USING STANDARD ENGINEERING SCALES. REDUCED SIZED PLANS WILL NOT CONFORM TO STANDARD SCALES. IN MAKING MEASUREMENTS ON REDUCED PLANS, THE ABOVE SCALES MAY BE USED.

J.U.L.I.E.
JOINT UTILITY LOCATION INFORMATION FOR EXCAVATORS
1-800-892-0123
OR 811

PROJECT ENGINEER: HERVE GELIN (618) 346-3179
PROJECT MANAGER: BILLIE OWEN (618) 346-3209

GROSS LENGTH = 1425.6 FT. = 0.27 MILE
NET LENGTH = 1425.6 FT. = 0.27 MILE

CONTRACT NO. 76N93

STATE OF ILLINOIS
DEPARTMENT OF TRANSPORTATION

SUBMITTED Aug. 6, 2020
Kath Kolank
REGIONAL ENGINEER

October 2, 2020
Scott A. Elk
ENGINEER OF DESIGN AND ENVIRONMENT

October 2, 2020
James J. Gu
DIRECTOR OF HIGHWAYS PROJECT IMPLEMENTATION

PRINTED BY THE AUTHORITY
OF THE STATE OF ILLINOIS

INDEX OF SHEETS

- 1. COVER SHEET
- 2. INDEX OF SHEETS, HIGHWAY STANDARDS,
GENERAL NOTES, COMMITMENTS, ADT, AND MIX CHART
- 3. SUMMARY OF QUANTITIES
- 4-5. TYPICAL SECTIONS
- 6-9. SCHEDULE OF QUANTITIES

HIGHWAY STANDARDS

- 000001-07 STANDARD SYMBOL ABBREVIATION & PATTERNS
- 001006 DECIMAL OF INCH & FOOT
- 442101-09 CLASS B PATCHES
- 701301-04 LANE CLOSURE 2 LANE 2 WAY SHORT TIME OPERATION
- 701311-03 LANE CLOSURE 2 LANE 2 WAY MOVING OPERATION DAY ONLY
- 701501-06 URBAN LANE CLOSURE 2 LANE 2 WAY UNDIVIDED
- 701901-08 TRAFFIC CONTROL DEVICES
- 780001-05 TYPICAL PAVEMENT MARKING

ADT

- 2015 = 7500 (ACTUAL)
- 2021 = 7700 (ESTIMATED)
- 2041 = 8500 (ESTIMATED)
- SU = 5.1% MU = 1.1%

GENERAL NOTES

- 1 THE FOLLOWING UTILITIES KNOWN TO HAVE FACILITIES WITHIN THE PROJECT AREA ARE AS FOLLOWS:
 - * AMEREN ILLINOIS JULIE MEMBER (AERIAL, BURIED)
1590 E. STATE ROUTE 15, BELLEVILLE IL 62221
 - * AT&T ILLINOIS JULIE MEMBER (AERIAL, BURIED)
1420 FRONTAGE ROAD, O'FALLON IL 62269
 - * CITY OF CARLYLE ELECTRIC JULIE MEMBER (AERIAL, BURIED)
850 FRANKLIN STREET, CARLYLE IL 62231
 - * CITY OF CARLYLE WATER & SANITARY SEWER JULIE MEMBER (BURIED)
850 FRANKLIN STREET, CARLYLE IL 62231
 - * CHARTER COMMUNICATIONS, INC. JULIE MEMBER (AERIAL BURIED)
7645 MABNA DRIVE, SUITE 100, BELLEVILLE IL 62223
 - * CLEARWAVE COMMUNICATIONS JULIE MEMBER (AERIAL BURIED)
2 NORTH VINE STREET 2ND FLOOR P.O.BOX 808, HARRISBURG IL 62946
- 2 NO SURVEY WAS PERFORMED FOR THIS PROJECT AND THE PLANS WERE CREATED USING MICROFILM AND FIELD MEASUREMENTS.
- 3 ALL TURF AREAS DISTURBED BY THE CONTRACTOR SHALL BE SEEDED WITH THE APPROPRIATE EROSION CONTROL, AS DIRECTED BY THE ENGINEER, AT THE CONTRACTOR'S EXPENSE.
- 4 THE INTENT OF THE FULL DEPTH CONCRETE PATCHES IS TO REMOVE THE EXISTING GUTTER AND LEAVE THE CURB IN PLACE. ADDITIONAL SAW CUT QUANTITY HAS BEEN INCLUDED IN THE PLANS TO CUT ALONG THE OUTSIDE EDGE OF THE PATCH.
- 5 HIGH EARLY STRENGTH CONCRETE FOR PAVEMENT PATCHING WILL BE ALLOWED.
- 6 1" DOWEL BARS SHALL BE USED ON CLASS B PATCHES DUE TO THE CONDITION OF THE PAVEMENT.

COMMITMENTS

NO COMMITMENTS

MIX CHART

MIXTURE USE			Partial Depth Patch
AC/PG			PG 64-22
RAP % (MAX)			SEE SPECIAL PROVISION
DESIGN AIR VOIDS			4.0% @Ndes=70
MIX COMPOSITION (Gradation)			IL 9.5
FRICTION AGG			MIXTURE "D"
QUALITY MGMT PROGRAM			QC/QA

MODEL: Default
 FILE: \\nashc-pix\pub\room\dat\illinois.gov\PWIDOT\Documents\IDOT_Offices\IDOT\Projects\076993\CADD\DATA\CAD\chres\076993-shc-genote.dgn

USER NAME = challandeske	DESIGNED -	REVISED -	STATE OF ILLINOIS DEPARTMENT OF TRANSPORTATION	INDEX OF SHEETS, HIGHWAY STANDARDS GENERAL NOTES, COMMITMENTS, ADT AND MIX CHART	F.A.S RTE.	SECTION	COUNTY	TOTAL SHEETS	SHEET NO.
DRAWN -	REVISED -	1780			24PP-1	CLINTON	9	2	
PLOT SCALE = 100,0000 ' / in.	CHECKED -	REVISED -			CONTRACT NO. 76N93				
PLOT DATE = 8/18/2020	DATE -	REVISED -			ILLINOIS FED. AID PROJECT				
				SCALE:	SHEET	OF	SHEETS	STA.	TO STA.

CODE NO.	ITEM	UNIT	TOTAL QUANTITY	100% STATE	CONSTR. CODE
				ROADWAY	ROADWAY
RURAL	RURAL				
44200050	WELDED WIRE REINFORCEMENT	SQ YD	1860	1860	
44200970	CLASS B PATCHES, TYPE II, 10 INCH	SQ YD	41	41	
44200974	CLASS B PATCHES, TYPE III, 10 INCH	SQ YD	144	144	
44200976	CLASS B PATCHES, TYPE IV, 10 INCH	SQ YD	1717	1717	
44201297	DOWEL BARS 1"	EACH	502	502	
44213200	SAW CUTS	FOOT	4360	4360	
44213204	TIE BARS 3/4"	EACH	462	462	
67100100	MOBILIZATION	L SUM	1	1	
70102620	TRAFFIC CONTROL AND PROTECTION, STANDARD 701501	L SUM	1	1	
* 78001110	PAINT PAVEMENT MARKING - LINE 4"	FOOT	27819	27819	
X4406020	PARTIAL DEPTH REMOVAL, TYPE I, 2"	SQ YD	233	233	
X4406220	PARTIAL DEPTH REMOVAL, TYPE II, 2"	SQ YD	687	687	
X4406420	PARTIAL DEPTH REMOVAL, TYPE III, 2"	SQ YD	62	62	
X4406620	PARTIAL DEPTH REMOVAL, TYPE IV, 2"	SQ YD	624	624	

* SPECIALTY ITEM

CODE NO.	ITEM	UNIT	TOTAL QUANTITY	100% STATE	CONSTR. CODE
				ROADWAY	ROADWAY
RURAL	RURAL				
X4421000	PARTIAL DEPTH PATCHING	TON	182	182	

MODEL: Default
 FILE: Model: P:\pub\lanscom.dwg
 PROJECT: I:\Projects\DOT\Documents\DOT - Offices\District 8\Projects\DOT\76N93\CADD\DATA\CAD\Sheet\DOT\76N93-sh-500.dgn

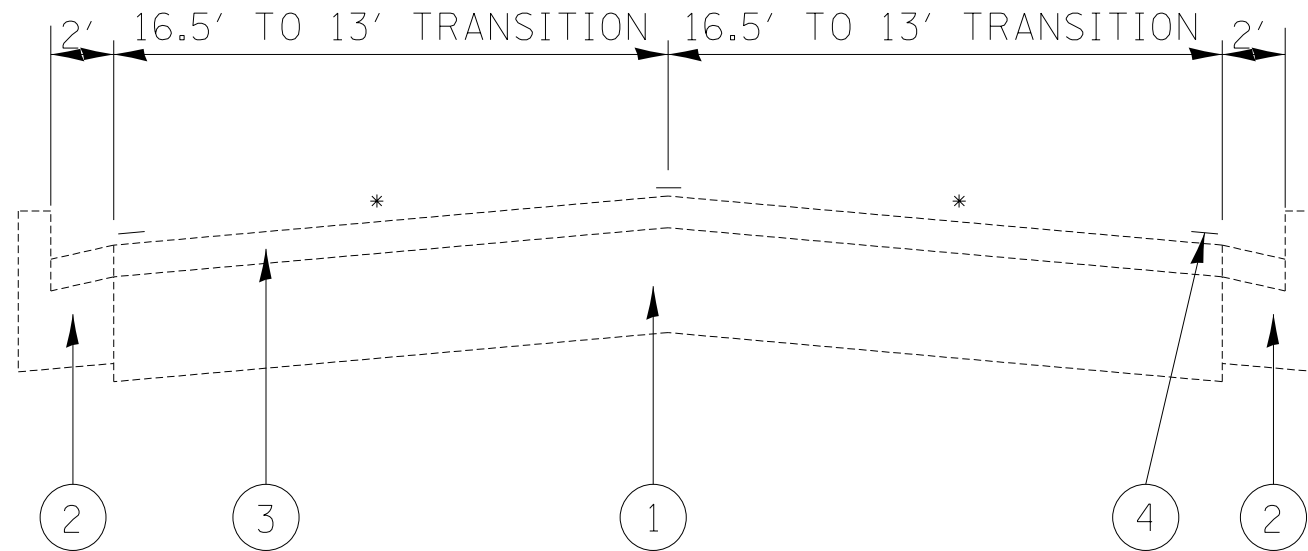
USER NAME = challeske	DESIGNED -	REVISED -
	DRAWN -	REVISED -
PLOT SCALE = 100.0000 ' / in.	CHECKED -	REVISED -
PLOT DATE = 8/19/2020	DATE -	REVISED -

**STATE OF ILLINOIS
DEPARTMENT OF TRANSPORTATION**

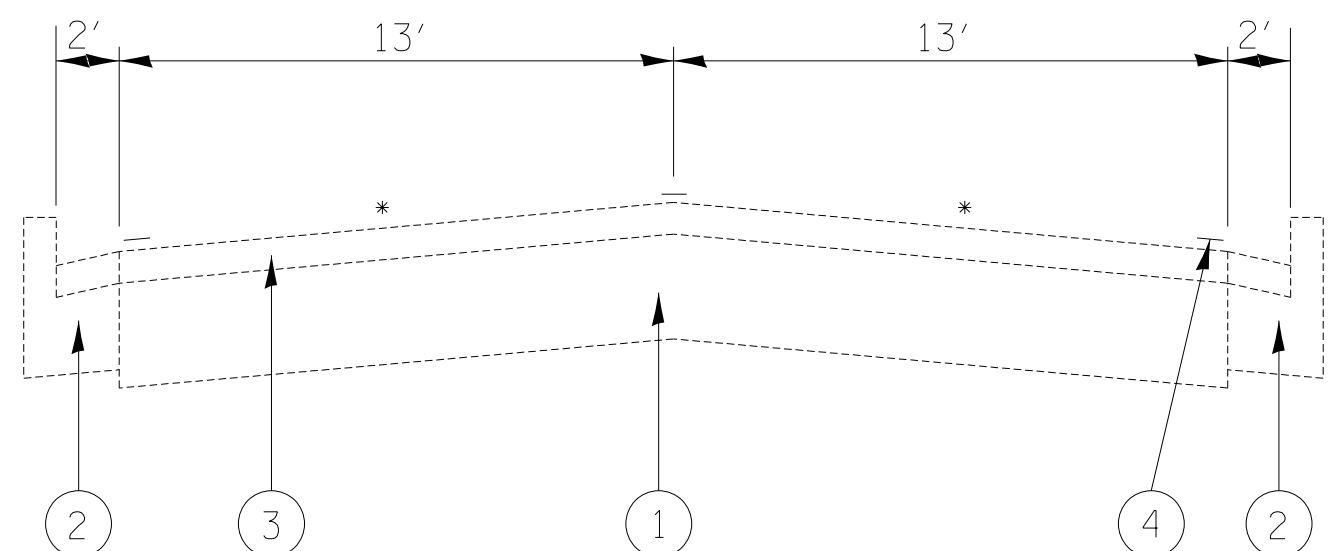
SUMMARY OF QUANTITIES

SCALE: SHEET OF SHEETS STA. TO STA.

F.A.S. RTE.	SECTION	COUNTY	TOTAL SHEETS	SHEET NO.
1780	24PP-1	CLINTON	9	3
CONTRACT NO. 76N93				
ILLINOIS FED. AID PROJECT				



TYPICAL SECTION
STA. 1225+08 TO STA. 1225+88



TYPICAL SECTION
STA. 1225+88 TO STA. 1245+14

LEGEND

- ① EXISTING NON-CONTINUOUS REINFORCED CONCRETE PAVEMENT - 7"
- ② EXISTING CONCRETE CURB AND GUTTER
- ③ EXISTING BITUMINOUS SURFACE COURSE - 3"
- ④ EXISTING PAVEMENT MARKING LINE - 4"
- * - MATCH EXISTING SLOPE

MODEL: Default
 FILE: \\nrcs-pix\pub\lanroom.dta\illinois.gov\PWIDOT\Documents\DOT_Offices\District_8\Projects\076993\CADD\DATA\CAD\pieces\076993-shc-typical.dgn

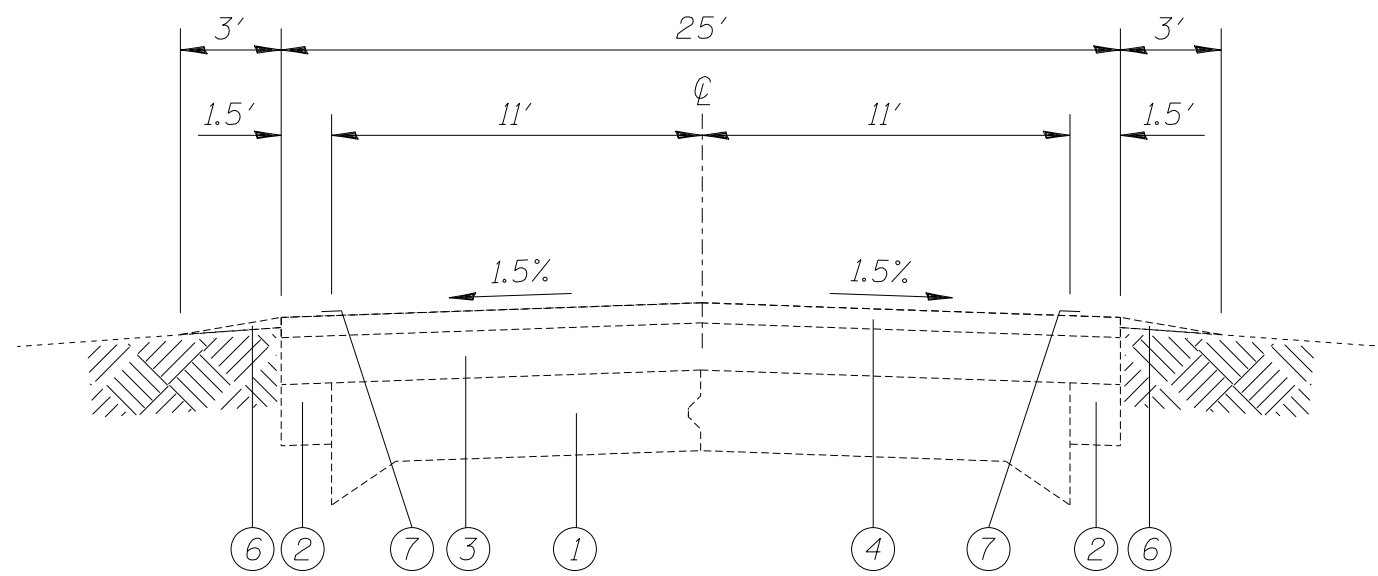
USER NAME = challeske	DESIGNED -	REVISED -
	DRAWN -	REVISED -
PLOT SCALE = 100.0000' / in.	CHECKED -	REVISED -
PLOT DATE = 8/18/2020	DATE -	REVISED -

STATE OF ILLINOIS
DEPARTMENT OF TRANSPORTATION

TYPICAL SECTIONS

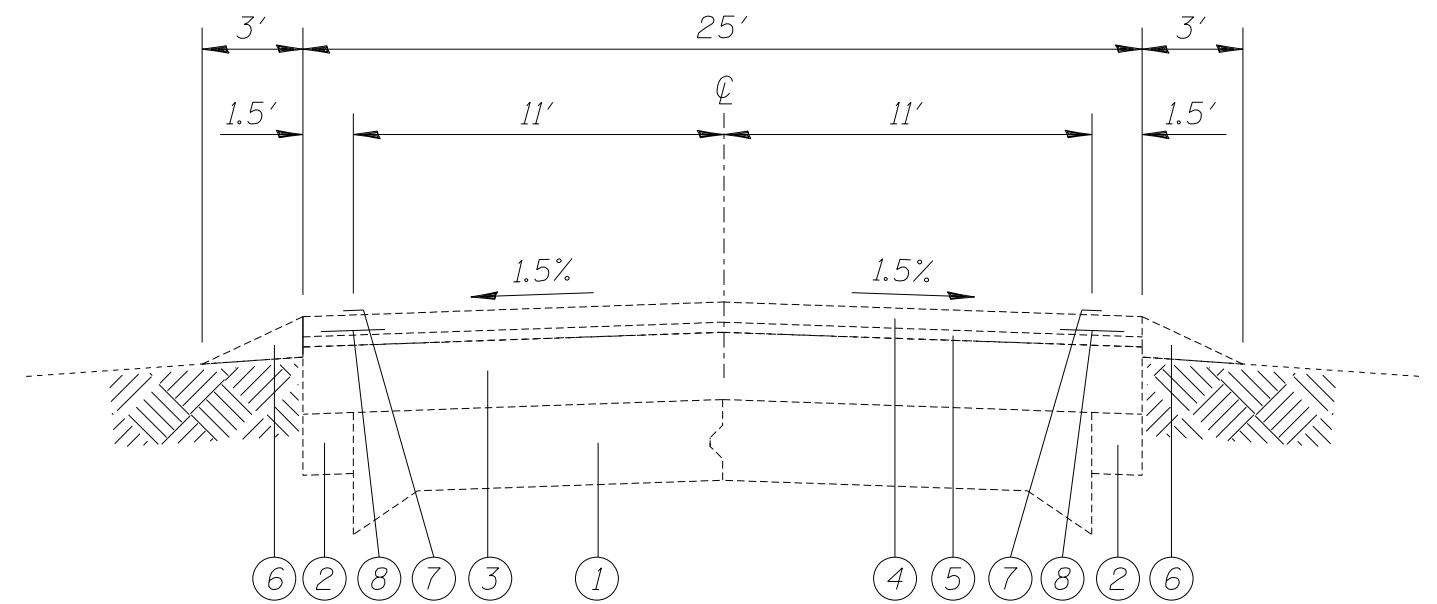
SCALE: SHEET 1 OF 2 SHEETS STA. TO STA.

F.A.S. RTE.	SECTION	COUNTY	TOTAL SHEETS	SHEET NO.
1780	24PP-1	CLINTON	9	4
CONTRACT NO. 76N93				
ILLINOIS FED. AID PROJECT				



TYPICAL SECTION

STA. 1245+14 TO STA. 1277+95
 STA. 1376+61 TO STA. 1422+55



TYPICAL SECTION

STA 1277+95 TO STA 1376+61

LEGEND

- ① EXISTING CONCRETE PAVEMENT (9''-6''-9'')
- ② EXISTING BITUMINOUS WIDENING
- ③ EXISTING BITUMINOUS RESURFACING (5''±)
- ④ EXISTING BITUMINOUS CONCRETE SURFACE COURSE, MIXTURE D, CLASS I, TYPE 2 (1.5'')
- ⑤ EXISTING BITUMINOUS CONCRETE LEVELING BINDER, MIXTURE C, TYPE 2 (3/4'')
- ⑥ EXISTING AGGREGATE SHOULDER, TYPE B
- ⑦ EXISTING PAINT PAVEMENT MARKING - LINE 4''
- ⑧ EXISTING STRIP REFLECTIVE CRACK CONTROL TREATMENT

MODEL: Default
 FILE: Model.ctb
 PROJECT: \\p:\planningroom\dat\illinois.gov\PWIDOT\Documents\DOT_Offices\District 8\Projects\076993\CADD\076993-076993-shc-typical.dgn

USER NAME = challeske	DESIGNED -	REVISED -
	DRAWN -	REVISED -
PLOT SCALE = 100.0000' / in.	CHECKED -	REVISED -
PLOT DATE = 8/18/2020	DATE -	REVISED -

**STATE OF ILLINOIS
 DEPARTMENT OF TRANSPORTATION**

TYPICAL SECTIONS

SCALE: SHEET 2 OF 10 SHEETS STA. TO STA.

F.A.S RTE.	SECTION	COUNTY	TOTAL SHEETS	SHEET NO.
1780	24PP-1	CLINTON	9	5
CONTRACT NO. 76N93				
ILLINOIS FED. AID PROJECT				

STATION	DIRECTION	PARTIAL DEPTH 2"			PARTIAL DEPTH REMOVAL, TYPE I 2"	PARTIAL DEPTH REMOVAL, TYPE II 2"	PARTIAL DEPTH REMOVAL, TYPE III 2"	PARTIAL DEPTH REMOVAL, TYPE IV 2"	PARTIAL DEPTH PATCH	
		LENGTH	WIDTH	SQYD	SQYD	SQYD	SQYD	SQYD	TON	
1225+08	PAVEMENT JOINT JUST EAST OF 13TH STREET									
1225+50	EB	8	8	7.2	7.2				0.81	
1228+37	EB	100	5	55.6			55.6		6.23	
1230+50	EB	50	5	27.8		27.8			3.11	
1233+17	EB	50	5	27.8		27.8			3.11	
1234+53	WB	260	10	288.9				288.9	32.36	
1235+17	EB	20	5	11.2		11.2			1.25	
1238+18	EB	250	5	138.9				138.9	15.56	
	WB	250	5	138.9				138.9	15.56	
1240+23	MIDDLE OF 17TH STREET									
1249+53	WB	12	22	29.4		29.4			3.29	
1249+53	EB	12	22	29.4		29.4			3.29	
1256+53	WB	4	11	4.9	4.9				0.55	
1256+53	EB	4	11	4.9	4.9				0.55	
1259+53	WB	16	11	19.6		19.6			2.20	
1259+53	EB	16	11	19.6		19.6			2.20	
1260+53	WB	10	11	12.3		12.3			1.38	
1260+53	FB	10	11	12.3		12.3			1.38	
1261+33	WB	10	11	12.3		12.3			1.38	
1261+33	EB	10	11	12.3		12.3			1.38	
1263+53	WB	10	11	12.3		12.3			1.38	
1263+53	EB	10	11	12.3		12.3			1.38	
1264+53	WB	10	11	12.3		12.3			1.38	
1264+53	EB	10	11	12.3		12.3			1.38	
1265+53	WB	6	11	7.4	7.4				0.83	
1265+53	EB	6	11	7.4	7.4				0.83	
SUBTOTALS		PARTIAL DEPTH 2"			917.3	31.8	263.2	55.6	566.7	102.7

MODEL: Default
 FILE: \\harris-pc\pub\harris\m.d\illinois.gov\PWIDOT\Documents\DOT_Offices\Director @projects\076993\CADD\DATA\CAD\harris\076993-shc-schedule.dgn

USER NAME = challeske	DESIGNED -	REVISED -
	DRAWN -	REVISED -
PLOT SCALE = 100.0000' / in.	CHECKED -	REVISED -
PLOT DATE = 8/17/2020	DATE -	REVISED -

**STATE OF ILLINOIS
DEPARTMENT OF TRANSPORTATION**

SCHEDULE OF QUANTITIES

SCALE: SHEET 2 OF 4 SHEETS STA. TO STA.

F.A.S RTE.	SECTION	COUNTY	TOTAL SHEETS	SHEET NO.
1780	24PP-1	CLINTON	9	7
ILLINOIS FED. AID PROJECT			CONTRACT NO. 76N93	

MODEL: Default
 FILE: \\nrc-pix\pub\room\dat\illinois.gov\PIWIDOT\Documents\DOT_Offices\District 8\Projects\076993\CADD\ata\CAD\sheet\076993-sht-schedule.dgn

STATION	DIRECTION	PARTIAL DEPTH 2"			PARTIAL DEPTH REMOVAL, TYPE I 2"	PARTIAL DEPTH REMOVAL, TYPE II 2"	PARTIAL DEPTH PATCH	
		LENGTH	WIDTH	SOYD	SOYD	SOYD	TON	
1269+53	WB	10	11	12.3		12.3	1.38	
1269+53	EB	10	11	12.3		12.3	1.38	
1272+53	WB	10	11	12.3		12.3	1.38	
1272+53	EB	10	11	12.3		12.3	1.38	
1277+53	WB	6	11	7.4	7.4		0.83	
1277+53	EB	6	11	7.4	7.4		0.83	
1280+53	WB	10	11	12.3		12.3	1.38	
1280+53	EB	10	11	12.3		12.3	1.38	
1281+53	WB	10	11	12.3		12.3	1.38	
1281+53	EB	10	11	12.3		12.3	1.38	
1284+53	WB	10	11	12.3		12.3	1.38	
1284+53	EB	10	11	12.3		12.3	1.38	
1286+53	WB	6	11	7.4	7.4		0.83	
1286+53	EB	6	11	7.4	7.4		0.83	
1290+53	WB	6	11	7.4	7.4		0.83	
1290+53	EB	6	11	7.4	7.4		0.83	
1293+53	WB	10	11	12.3			1.38	
1293+53	EB	10	11	12.3		12.3	1.38	
1295+03	WB	12	11	14.7		14.7	1.65	
1295+03	EB	12	11	14.7		14.7	1.65	
1299+03	WB	4	11	4.9	4.9		0.55	
1299+03	EB	4	11	4.9	4.9		0.55	
1300+53	WB	6	11	7.4	7.4		0.83	
1300+53	EB	6	11	7.4	7.4		0.83	
1303+53	WB	4	11	4.9	4.9		0.55	
1303+53	EB	4	11	4.9	4.9		0.55	
1307+53	EB	4	11	4.9	4.9		0.55	
SUBTOTALS		PARTIAL DEPTH 2"			260.7	83.7	164.7	29.20

USER NAME = challandeske	DESIGNED -	REVISED -
	DRAWN -	REVISED -
PLOT SCALE = 100.0000' / in.	CHECKED -	REVISED -
PLOT DATE = 8/17/2020	DATE -	REVISED -

**STATE OF ILLINOIS
 DEPARTMENT OF TRANSPORTATION**

SCHEDULE OF QUANTITIES

SCALE: SHEET 3 OF 4 SHEETS STA. TO STA.

F.A.S RTE.	SECTION	COUNTY	TOTAL SHEETS	SHEET NO.
1780	24PP-1	CLINTON	9	8
CONTRACT NO. 76N93			ILLINOIS FED. AID PROJECT	

STATION	DIRECTION	PARTIAL DEPTH 2"			PARTIAL DEPTH REMOVAL, TYPE I 2"	PARTIAL DEPTH REMOVAL, TYPE II 2"	PARTIAL DEPTH PATCH	
		LENGTH	WIDTH	SQYD	SQYD	SQYD	TON	
1310+53	WB	10	11	12.3		12.3	1.38	
1315+53	EB	12	11	14.7		14.7	1.65	
1324+53	WB	12	11	14.7		14.7	1.65	
1340+53	EB	4	11	4.9	4.9		0.55	
1347+53	WB	12	11	14.7		14.7	1.65	
1347+53	EB	12	11	14.7		14.7	1.65	
1348+53	WB	10	11	12.3		12.3	1.38	
1353+53	EB	4	11	4.9	4.9		0.55	
1357+53	WB	4	11	4.9	4.9		0.55	
1357+53	EB	4	11	4.9	4.9		0.55	
1360+53	EB	10	11	12.3		12.3	1.38	
1360+53	WB	10	11	12.3		12.3	1.38	
1404+53	WB	12	22	29.4		29.4	3.29	
1376+53	WB	12	11	14.7		14.7	1.65	
1380+83	EB	4	11	4.9	4.9		0.55	
1385+53	EB	12	11	14.7		14.7	1.65	
1386+53	WB	12	11	14.7		14.7	1.65	
1387+43	WB	12	11	14.7		14.7	1.65	
1395+53	WB	6	11	7.4	7.4		0.83	
1395+53	EB	6	11	7.4	7.4		0.83	
1396+53	WB	6	11	7.4	7.4		0.83	
1396+53	EB	6	11	7.4	7.4		0.83	
1400+53	EB	6	11	7.4	7.4		0.83	
1403+53	EB	4	11	4.9	4.9		0.55	
1407+53	WB	6	11	7.4	7.4		0.83	
1407+53	EB	6	11	7.4	7.4		0.83	
1414+73	EB	4	11	4.9	4.9		0.55	
1419+73	EB	4	11	4.9	4.9		0.55	
1429+03	EB	4	11	4.9	4.9		0.55	
SUBTOTALS		PARTIAL DEPTH 2"			292.1	95.9	196.2	32.72

	PARTIAL DEPTH REMOVAL, TYPE I 2"	PARTIAL DEPTH REMOVAL, TYPE II 2"	PARTIAL DEPTH REMOVAL, TYPE III 2"	PARTIAL DEPTH REMOVAL, TYPE IV 2"	PARTIAL DEPTH PATCH
	SQYD	SQYD	SQYD	SQYD	TON
SUBTOTALS	211.4	624.1	55.6	566.7	164.7
10% ANTICIPATED FAILURES	21.1	62.4	5.6	56.7	16.5
TOTALS	232.5	686.5	61.2	623.4	181.1

MODEL: Default
 FILE: \\nrcs-pix\pub\lansroom\data\illinois.gov\PWIDOT\Documents\DOT_Offices\Dir\ctc @projects\076993\CADD\data\CAD\pieces\076993-shc-schedule.dgn

USER NAME = challeske	DESIGNED -	REVISED -
	DRAWN -	REVISED -
PLOT SCALE = 100.0000 ' / in.	CHECKED -	REVISED -
PLOT DATE = 8/17/2020	DATE -	REVISED -

**STATE OF ILLINOIS
DEPARTMENT OF TRANSPORTATION**

SCHEDULE OF QUANTITIES

SCALE: SHEET 4 OF 4 SHEETS STA. TO STA.

F.A.S RTE.	SECTION	COUNTY	TOTAL SHEETS	SHEET NO.
1780	24PP-1	CLINTON	9	9
CONTRACT NO. 76N93				
ILLINOIS FED. AID PROJECT				