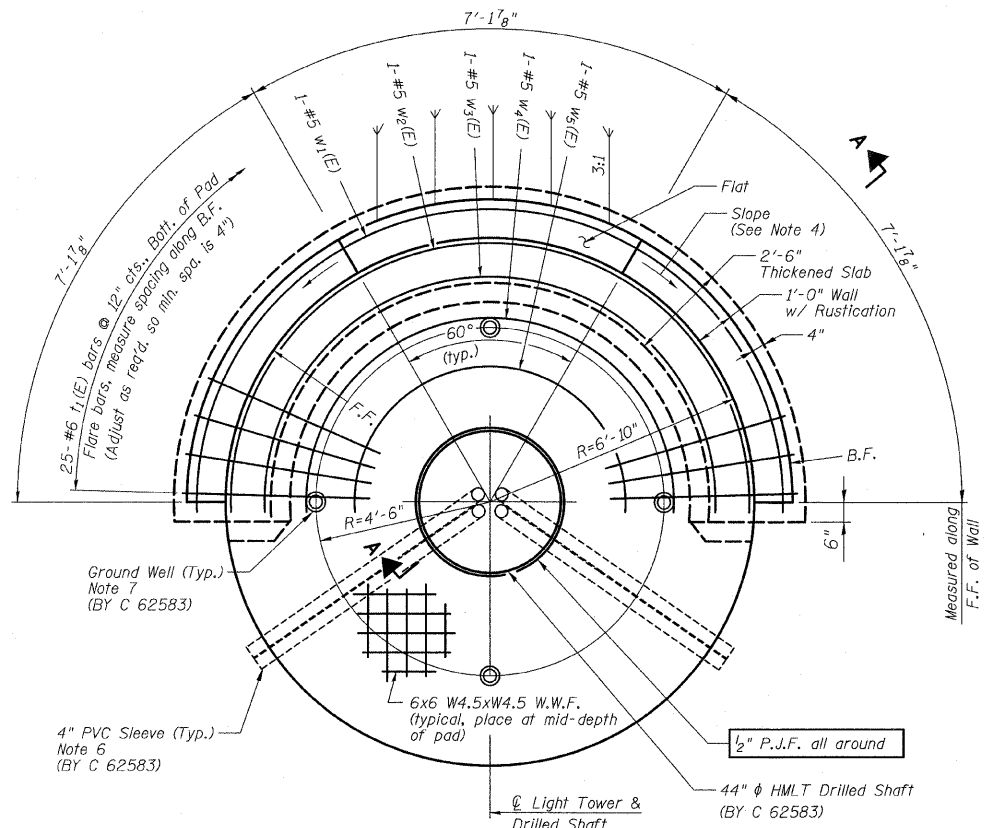
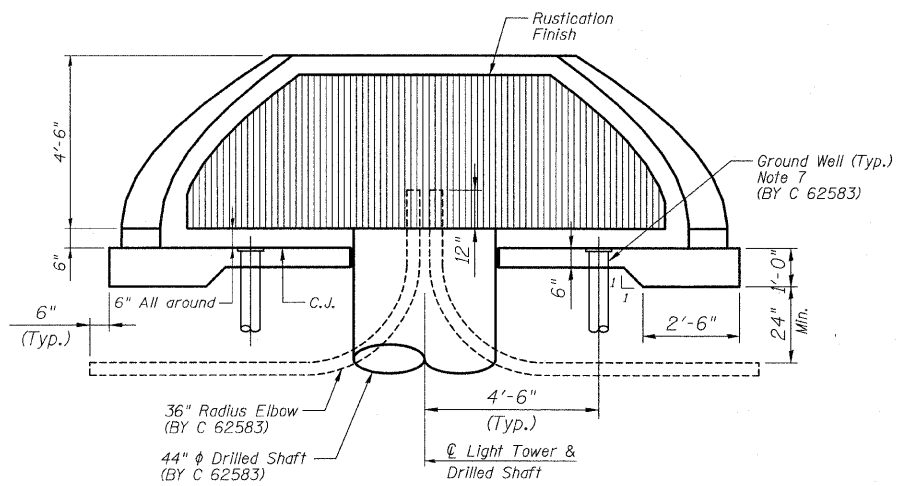


F.A.I. RTE.	SECTION	COUNTY	TOTAL SHEETS	SHEET NO.
94	2005-068 LS	COOK	58	47
STA. 153+09 (SB I-57) TO STA. 2214+95 (SB I-94)		STA. 257+76 (NB I-57) TO STA. 2213+00 (NB I-94)		
FED. ROAD DIST. NO.		ILLINOIS FED. AID PROJECT		

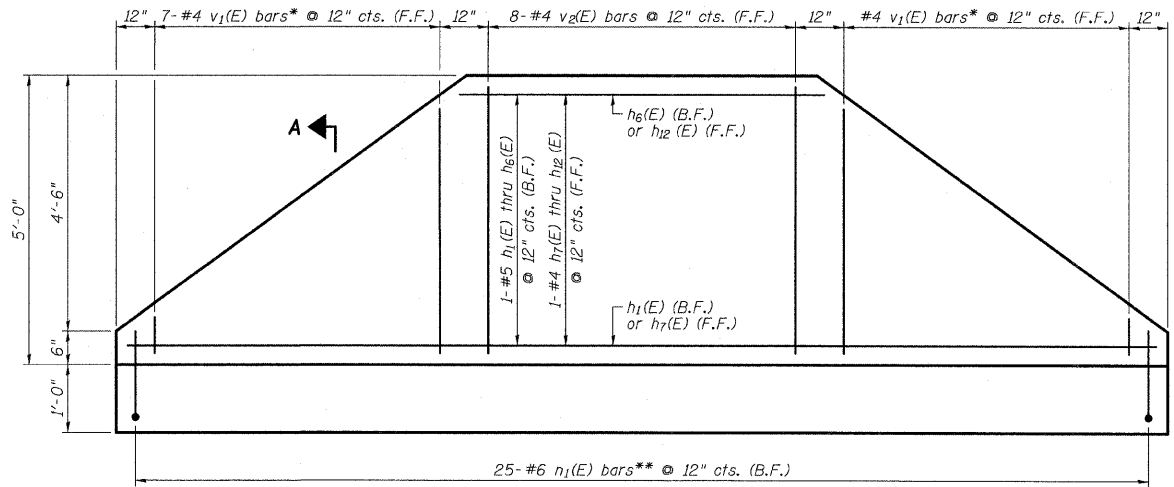
60A74



PLAN VIEW
Place Bars w1(E) thru w5(E) @ 12" cts., Bott. of Pad
(HMLT 60EF1 at Sta. 2205+20.00 NB I-94 @)
(HMLT 6PAB4 at Sta. 155+70.00 SB I-57 @)



ELEVATION VIEW
(HMLT not shown for clarity)
(HMLT 60EF1 at Sta. 2205+20.00 NB I-94 @)
(HMLT 60AB1 at Sta. 155+70.00 SB I-57 @)



5'-0" RETAINING WALL ELEVATION (PROJECTED)
(Looking at F.F.)
(HMLT 60EF1 at Sta. 2205+20.00 NB I-94 @)
(HMLT 60AB1 at Sta. 155+70.00 SB I-57 @)

- NOTES**
1. F.F. and B.F. denote Front Face and Back Face, respectively.
 2. HMLT denotes High Mast Light Tower.
 3. Refer to HMLT Service Pad, Special & Retaining Wall Details 2 for Bar Bending Diagrams, Bill of Material, Bar Sections and Details.
 4. T/Wall slope is constant along the arc of any given radius.
 5. Place horizontal tails of n1 (E) bars radially.
 6. PVC sleeves must be extended 6 inches by Contract 62583 beyond the edge of the concrete pad.
 7. Ground wells 4'-6" as measured from centerline of the HMLT to centerline of the well to be installed by Contract 62583. Adjust service pad reinforcement to miss wells. Any necessary vertical adjustments will be performed by the contractor who installed the ground wells at the specific location.

REVISIONS	
NAME	DATE

ILLINOIS DEPARTMENT OF TRANSPORTATION
F.A.I. 94 (DAN RYAN EXPRESSWAY)
HIGH MAST LIGHT TOWER SERVICE PAD,
SPECIAL & RETAINING WALL DETAILS
SHEET 1 OF 2

S.N. DESIGNED BY: MAF
SCALE: N.T.S. DRAWN BY: MAF
DATE: JUNE 20, 2008 CHECKED BY: PF

TYLIN INTERNATIONAL

P:\02373\Y000\N2205\2205-2207-940\3a_1.mtl.dgn 6/20/2008 10:21:27 AM