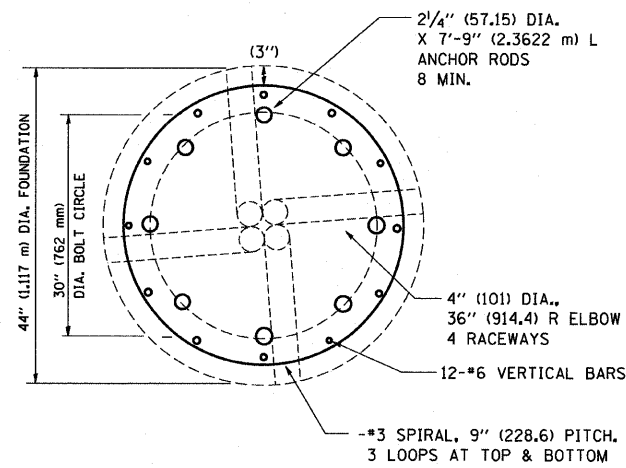
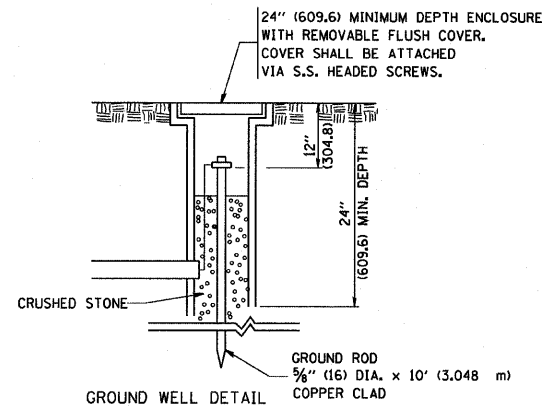


LIGHT TOWER FOUNDATION DEPTH "D"

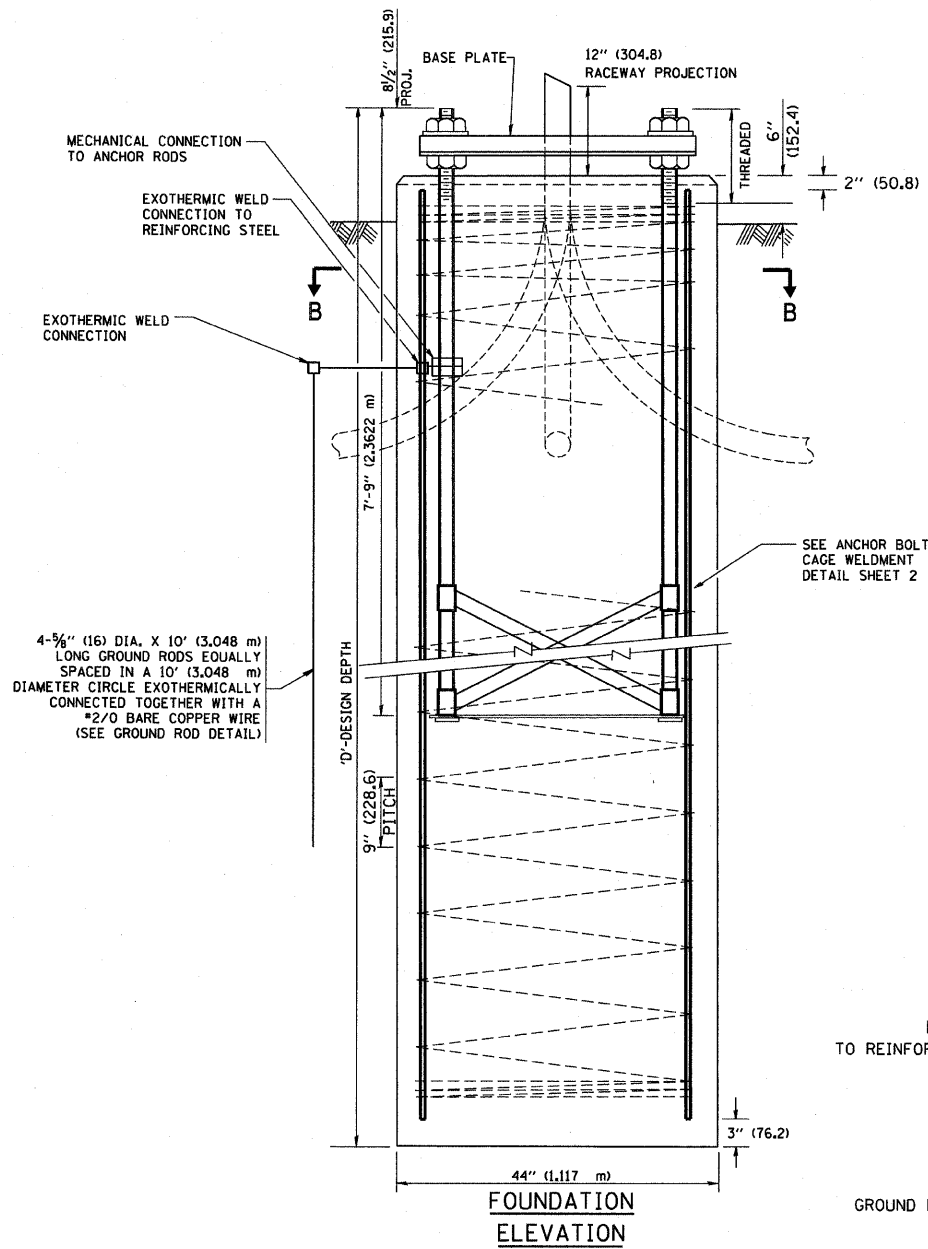
MOUNTING HEIGHT	SOIL CONDITIONS					
	SOFT CLAY Qu = 0.375 TON/SQ. FT	MEDIUM CLAY Qu = 0.75 TON/SQ. FT	STIFF CLAY Qu = 1.50 TON/SQ. FT	LOOSE SAND φ = 34°	MEDIUM SAND φ = 37.5°	DENSE SAND φ = 40°
90 FT (27 m)	29 FT (8.779 m)	20 FT (6.035 m)	15 FT (4.389 m)	15 FT (4.389 m)	13 FT (3.840 m)	12 FT (3.429 m)
100 FT (30 m)	32 FT (9.754 m)	22 FT (6.706 m)	16 FT (4.877 m)	16 FT (4.877 m)	14 FT (4.267 m)	13 FT (3.81 m)
110 FT (33 m)	35 FT (10.719 m)	24 FT (7.377 m)	18 FT (5.365 m)	18 FT (5.365 m)	15 FT (4.694 m)	14 FT (4.191 m)
120 FT (36 m)	38 FT (11.705 m)	26 FT (8.046 m)	19 FT (5.652 m)	19 FT (5.652 m)	17 FT (5.120 m)	16 FT (4.572 m)



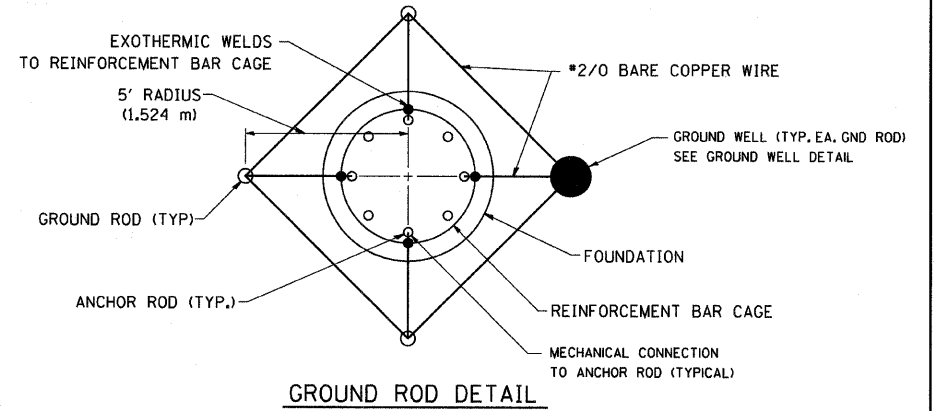
SECTION-B-B



GROUND WELL DETAIL



FOUNDATION ELEVATION



GROUND ROD DETAIL

DESIGN NOTES

- (1) ALL DIMENSIONS IN INCHES (MILLIMETERS) UNLESS OTHERWISE SHOWN
- (2) THE ANCHOR RODS SHALL BE VERTICAL NO ADJUSTMENT SHALL BE ALLOWED AFTER THE FOUNDATION IS PLACED.
- (3) THE GAP BETWEEN THE FOUNDATION AND THE BASE PLATE SHALL BE ENCLOSED WITH A STAINLESS STEEL SCREEN FASTENED WITH A STAINLESS STEEL BAND.
- (4) THE TOP OF THE FOUNDATION TO 18" (450) BELOW GRADE SHALL BE FORMED.
- (5) SURFACE WATER WILL NOT BE PERMITTED TO ENTER THE HOLE AND ALL WATER WHICH MAY HAVE INFILTRATED INTO THE HOLE SHALL BE REMOVED BEFORE PLACING CONCRETE.
- (6) THE LIGHT TOWER SHALL NOT BE ERECTED UNTIL AFTER THE CONCRETE HAS BEEN CURED ACCORDING TO ARTICLE 1020.13.
- (7) ANCHOR RODS SHALL BE STRAIGHT AND SHALL BE ACCORDING TO AASHTO M 314 OR ASTM F1554, GRADE 725 (GRADE 105) AND GALVANIZED ACCORDING TO ARTICLE 1006.9.
- (8) ANCHOR ROD INFORMATION SHALL BE SUBMITTED FOR APPROVAL AND SHALL BE FULLY COORDINATED FOR APPROVAL WITH TOWER MANUFACTURER REQUIREMENTS.
- (9) REINFORCEMENT BARS SHALL BE ACCORDING TO ARTICLE 1006.10
- (10) TWO ANCHOR RODS OPPOSITE EACH OTHER SHALL HAVE THE ANCHOR ROD THREADS PEENED AFTER NUTS ARE INSTALLED.

FOR INFORMATION ONLY

FILE NAME = W:\diststd\22x34\be581.dgn	USER NAME = gaglianob	DESIGNED - DRAWN -	REVISED - R. TOMSONS 04-22-02	STATE OF ILLINOIS DEPARTMENT OF TRANSPORTATION	HIGH MAST LIGHT TOWER 90 FT TO 120 FT (27 m TO 36 m) FOUNDATION DETAIL			F.A. RTE. 94	SECTION 2005-D68 LS	COUNTY COOK	TOTAL SHEETS 58	SHEET NO. 51
PLOT SCALE = 50.000' / IN.	CHECKED -	REVISED -	REVISED -		SCALE: NONE	SHEET NO. 1 OF 2 SHEETS	STA. TO STA.	BE-501				
PLOT DATE = 1/4/2008	DATE -	REVISED -	REVISED -		CONTRACT NO. 60A74							
								FED. ROAD DIST. NO. 1 ILLINOIS FED. AID PROJECT				