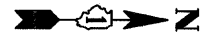
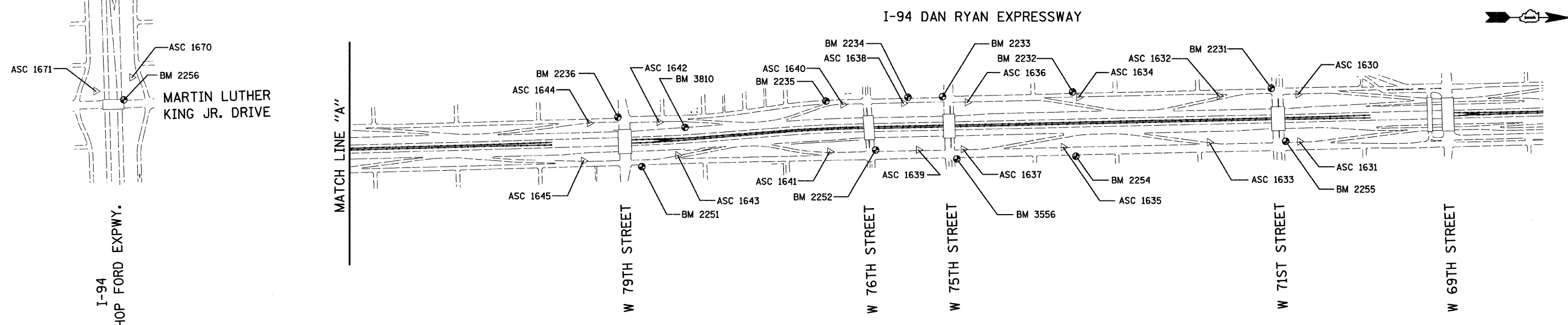
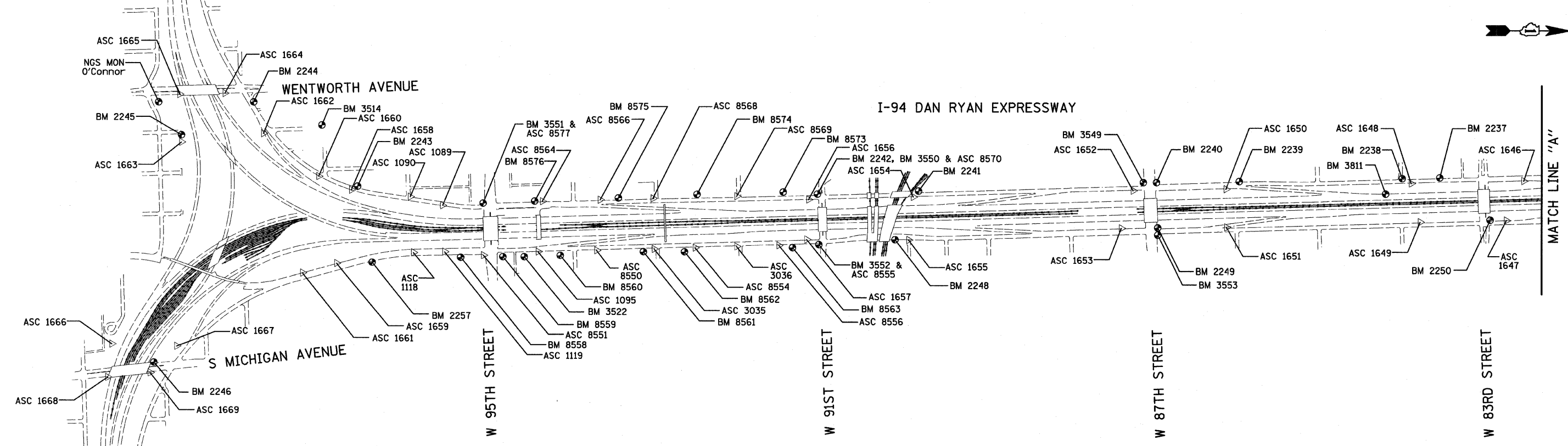


F.A.I. RTE.	SECTION	COUNTY	TOTAL SHEETS	SHEET NO.
94	2005-069 LS	COOK	60	12
STA. 1254+81 (NB I-94) TO STA. 1263+45 (NB I-94)				
STA. 1255+15 (SB I-94)				
FED. ROAD DIST. NO.	ILLINOIS	FED. AID PROJECT		

60A75

I-57 EXPWY
SEE SHEET 2 OF 7
MATCH LINE "B"



REVISIONS	
NAME	DATE

ILLINOIS DEPARTMENT OF TRANSPORTATION
F.A.I. 94 (DAN RYAN EXPRESSWAY)
SURVEY TIES FOR CONTROL POINTS
SHEET 1 OF 7

SCALE: 1"=400'
DATE: JUNE 20, 2008

DRAWN BY: GSP
CHECKED BY: MMW