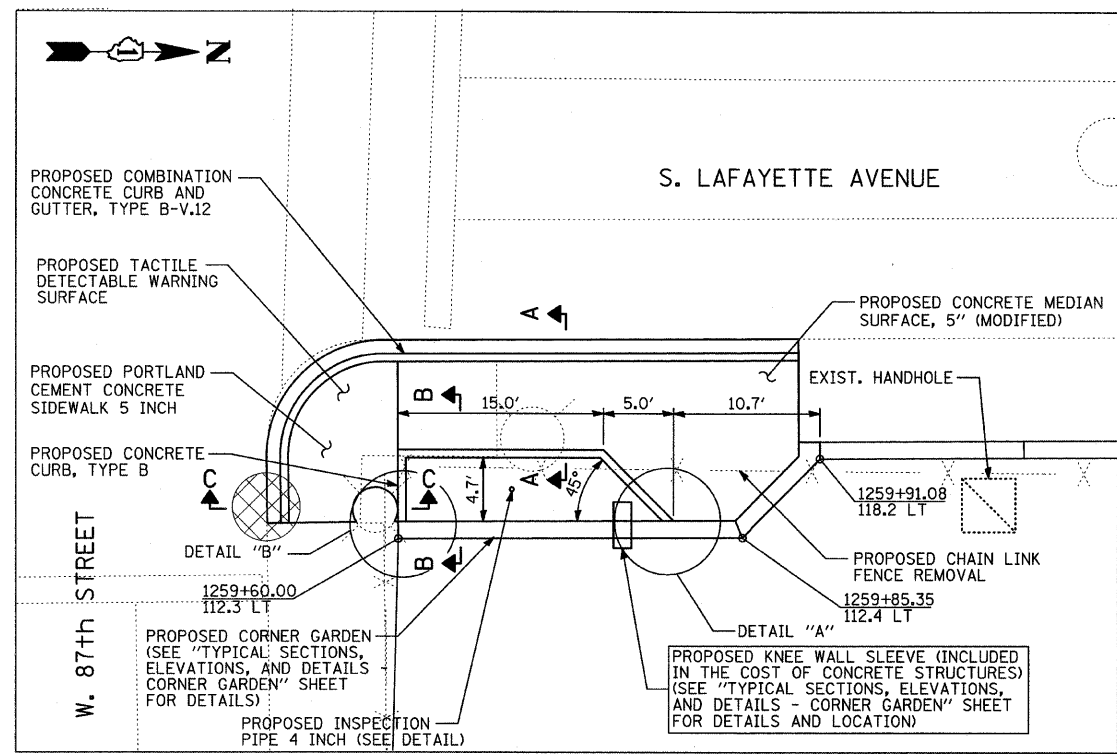
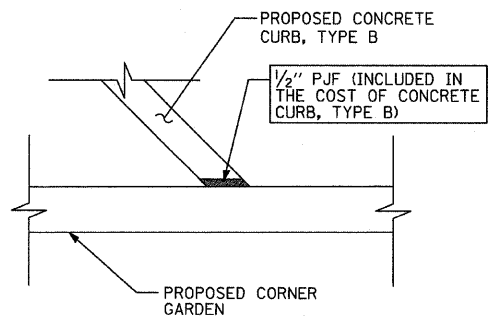


F.A.I. RTE.	SECTION	COUNTY	TOTAL SHEETS	SHEET NO.
94	2005-069 LS	COOK	60	36
STA. 2254+81 (NB I-94) TO STA. 2263+45 (NB I-94)				
STA. 1255+15 (SB I-94)				
FED. ROAD DIST. NO.	ILLINOIS	FED. AID PROJECT		

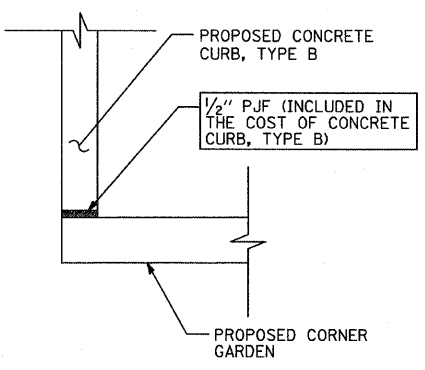
60A75



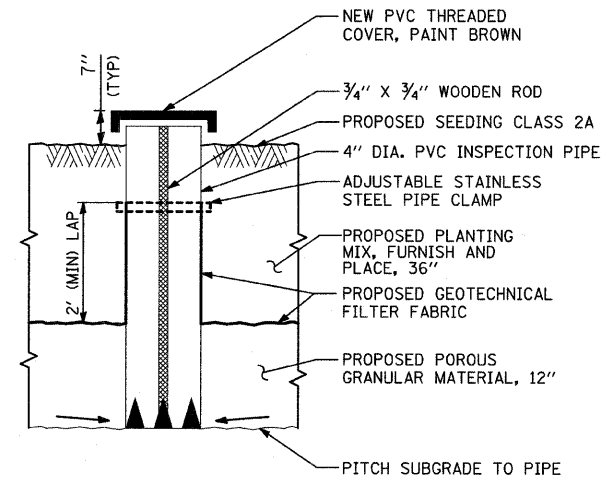
NW CORNER GARDEN AT 87TH STREET



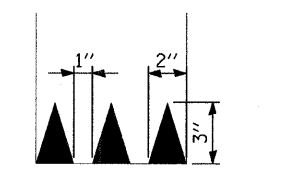
DETAIL A



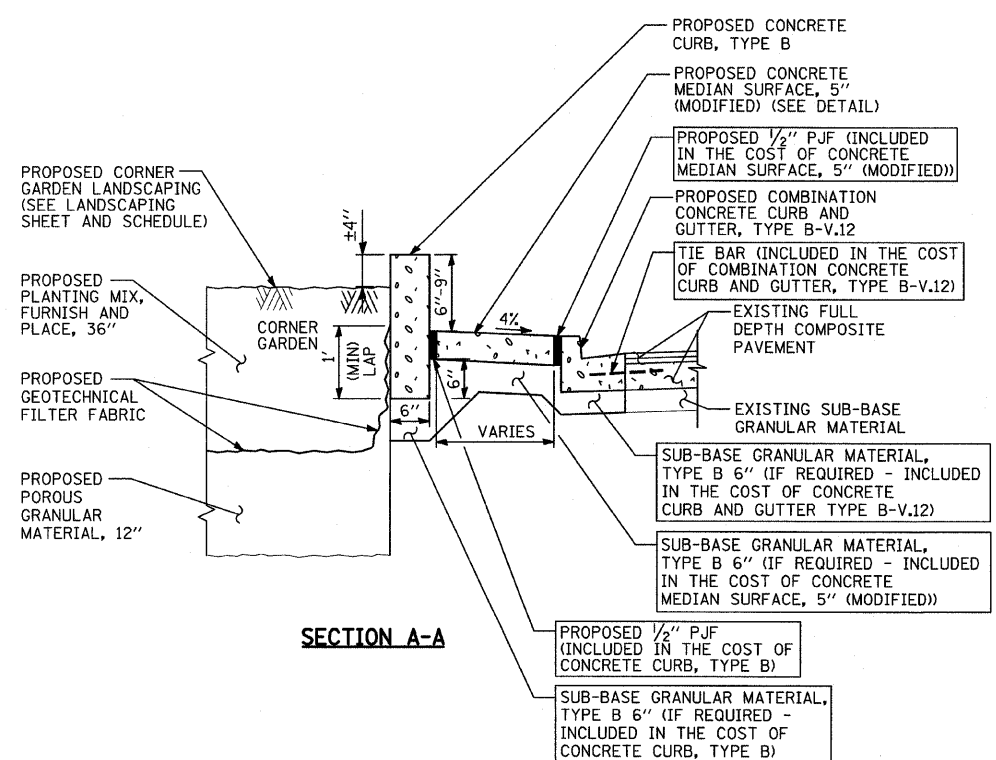
DETAIL B



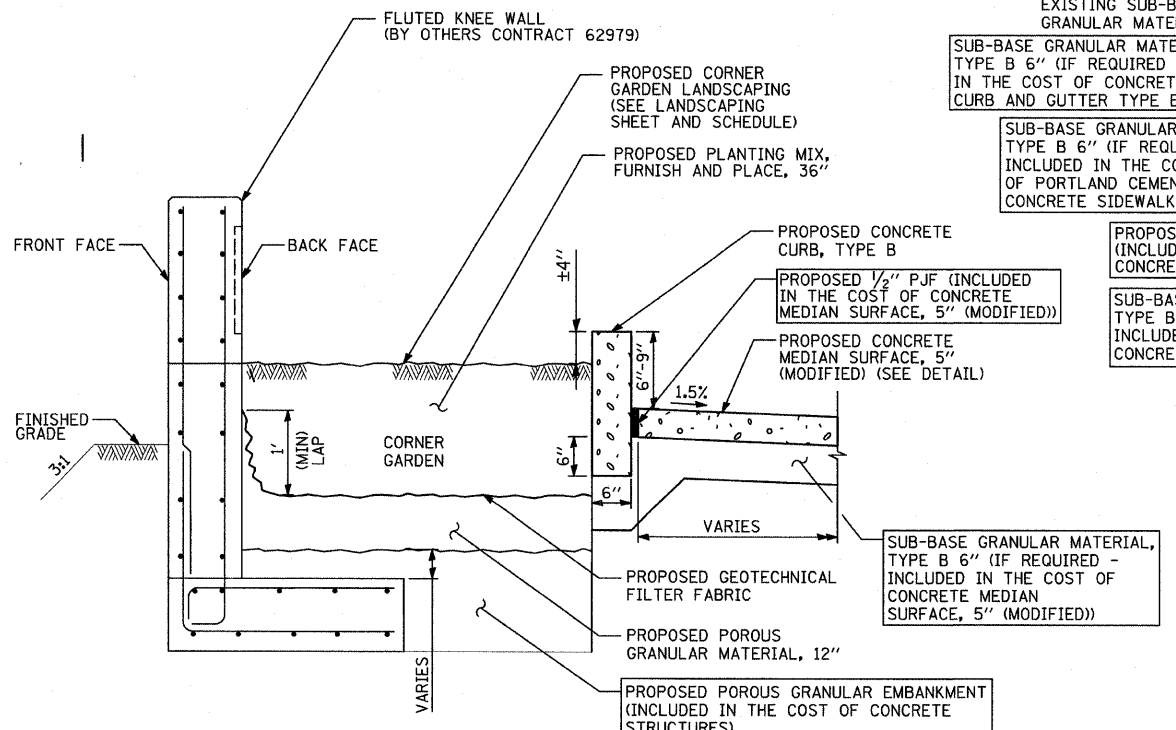
INSPECTION PIPE, 4"



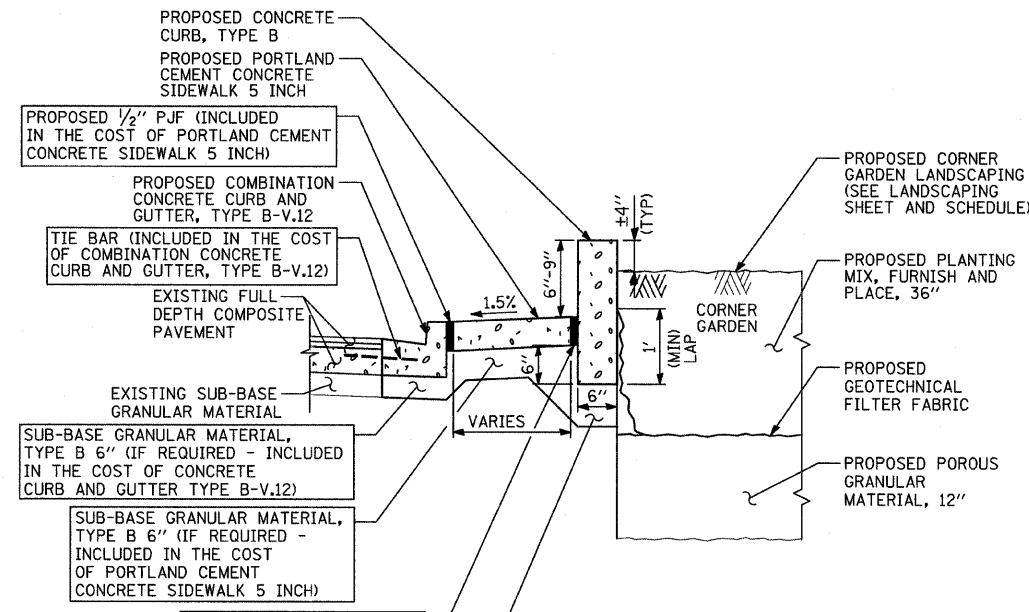
DRAIN SLEEVE ELEVATION



SECTION A-A



SECTION B-B



SECTION C-C

TYLIN INTERNATIONAL

REVISIONS	
NAME	DATE

ILLINOIS DEPARTMENT OF TRANSPORTATION
 F.A.I. 94 (DAN RYAN EXPRESSWAY)
 NW CORNER GARDEN DETAIL -
 87TH STREET AND LAFAYETTE AVENUE
 SCALE: NOT TO SCALE DRAWN BY: JDF
 DATE: JUNE 20, 2008 CHECKED BY: JPM

6/23/2008 9:39:47 AM