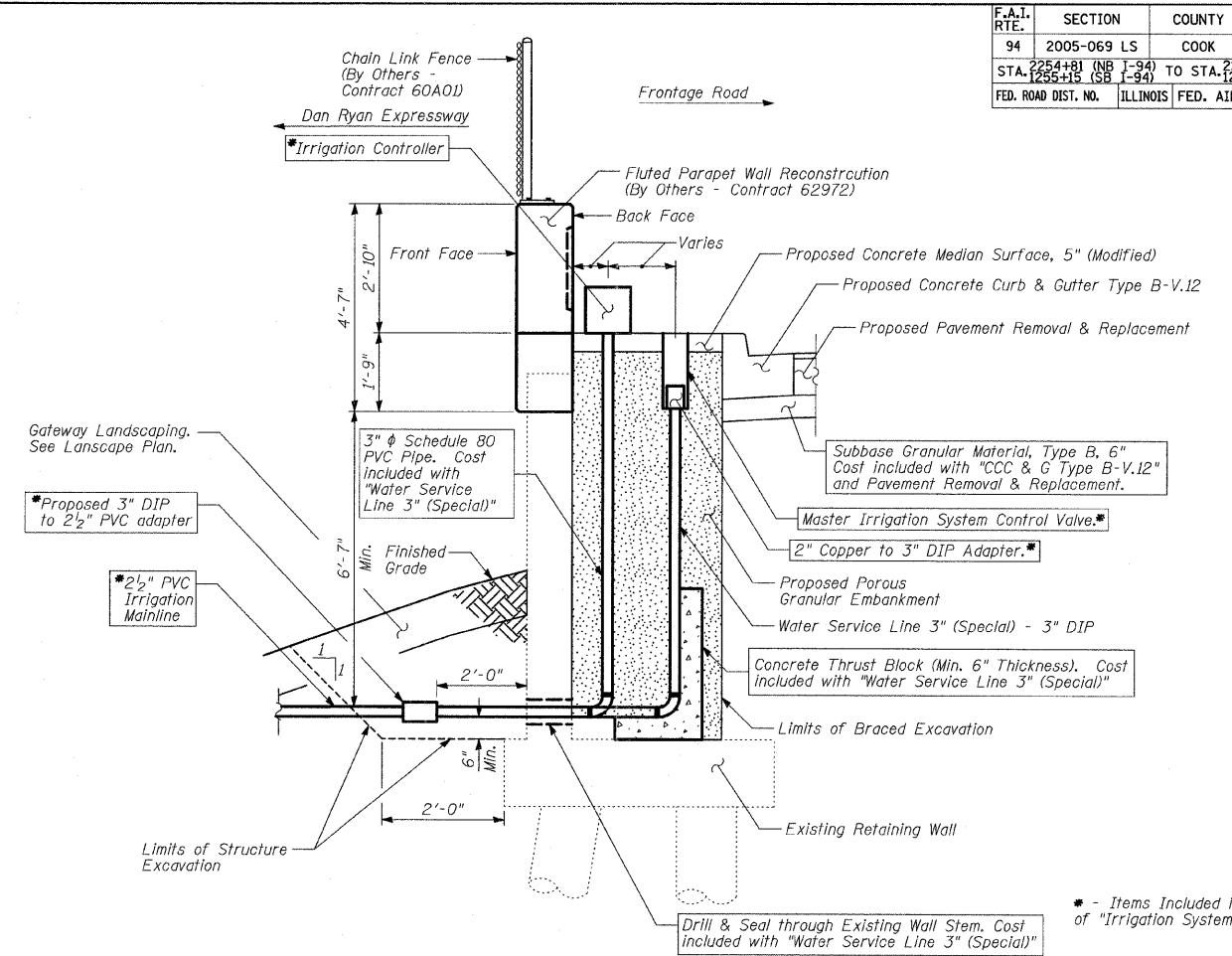
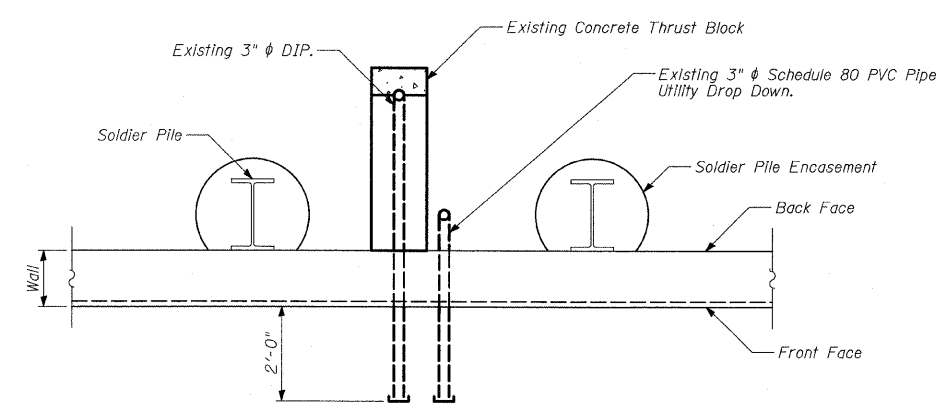


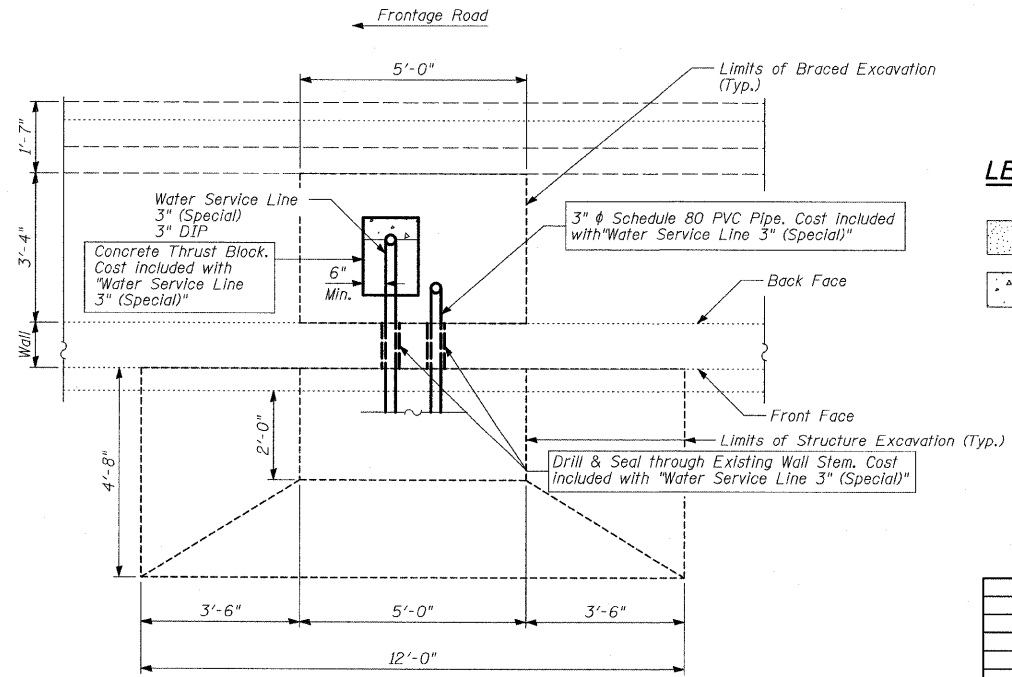
EXISTING ELEVATION - WATER SERVICE & ELECTRICAL LINES AT SOLDIER PILE RETAINING WALL #39
(SW Quadrant at 87th Street)



ELEVATION - WATER SERVICE & ELECTRICAL LINES AT EXISTING RETAINING WALL BEHIND WALL 5
(SE Quadrant at 87th Street)



EXISTING PLAN - WATER SERVICE & ELECTRICAL LINES AT SOLDIER PILE RETAINING WALL #39
(For Information Only)



PLAN - WATER SERVICE & ELECTRICAL LINES AT EXISTING RETAINING WALL

LEGEND

- Porous Granular Embankment
- Portland Cement Concrete

BILL OF MATERIAL

ITEM	UNIT	Existing Wall #5	TOTAL
Porous Granular Embankment	CU YD	5	5
Structure Excavation	CU YD	8	8
Braced Excavation	CU YD	5	5
Water Service Line 3" (Special)	FOOT	12	12

REVISIONS	
NAME	DATE

ILLINOIS DEPARTMENT OF TRANSPORTATION
F.A.I. 94 (DAN RYAN EXPRESSWAY)
GATEWAY AND CORNER GARDEN UTILITY DROP DOWN DETAILS
SCALE: N.T.S. DRAWN BY: MAF
DATE: JUNE 20, 2008 CHECKED BY: DAK, TGB