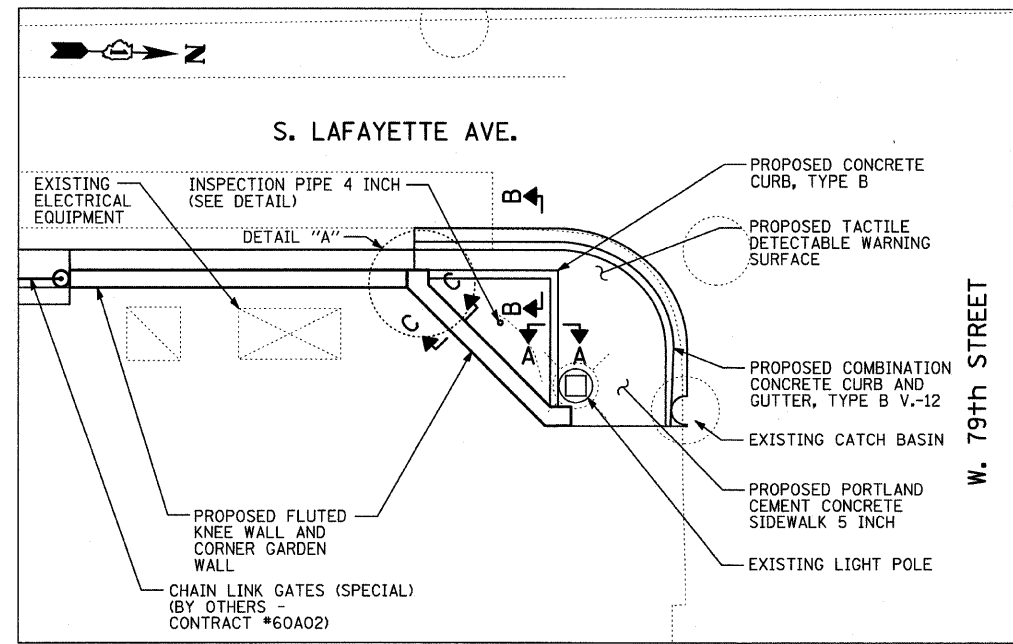
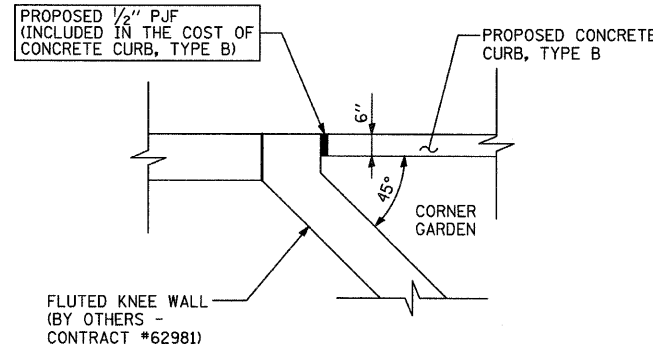


| | | | | |
|--------------------------|-------------|---------------------------|--------------|-----------|
| F.A.I. RTE. | SECTION | COUNTY | TOTAL SHEETS | SHEET NO. |
| 94 | 2005-070 LS | COOK | 65 | 40 |
| STA. 1308+14.6 (SB 1-94) | | TO STA. 1318+61 (SB 1-94) | | |
| FED. ROAD DIST. NO. | | ILLINOIS FED. AID PROJECT | | |

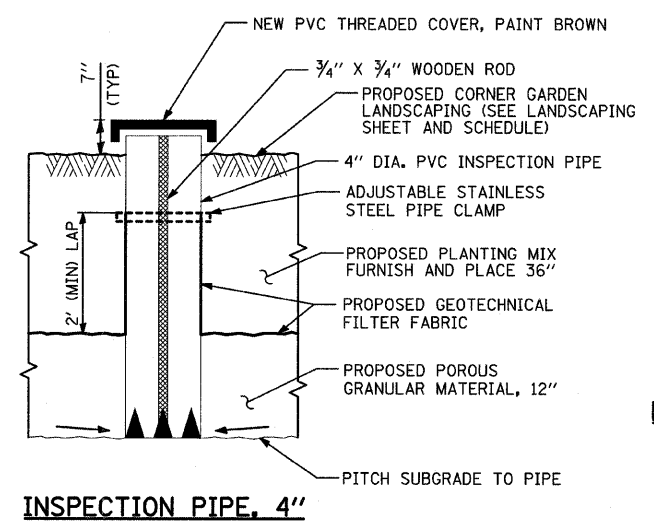
60A76



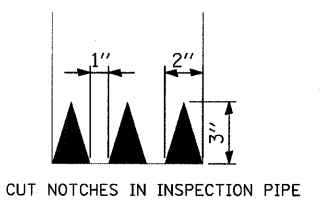
SW CORNER GARDEN AT 79TH STREET



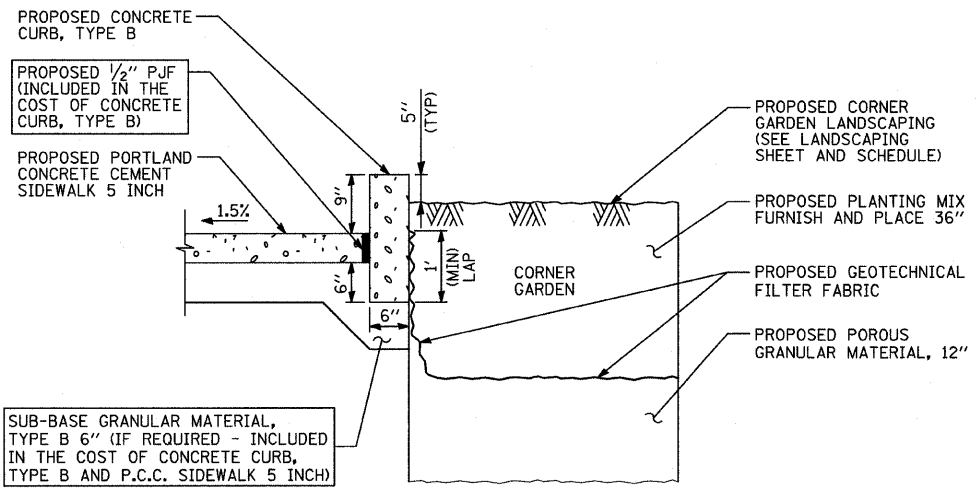
DETAIL A



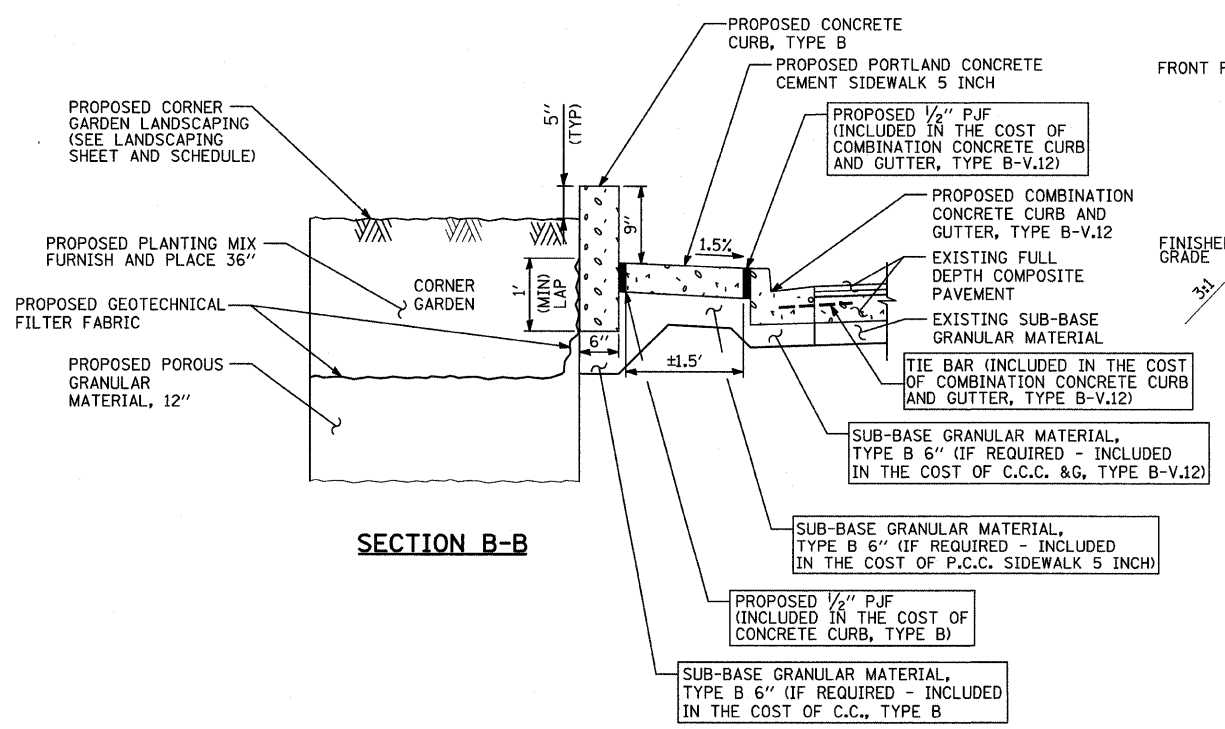
INSPECTION PIPE, 4"



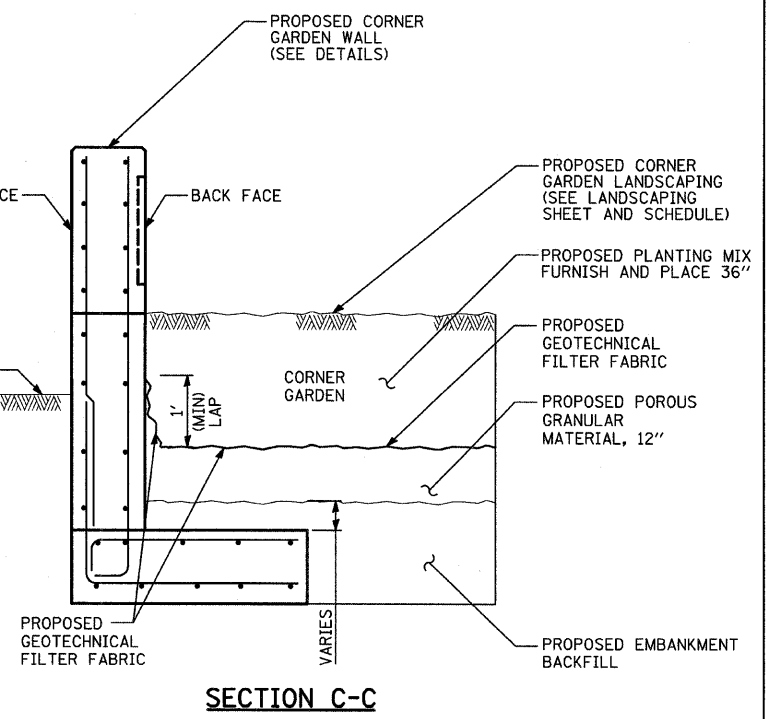
DRAIN SLEEVE ELEVATION



SECTION A-A



SECTION B-B



SECTION C-C

TYLIN INTERNATIONAL

| REVISIONS | |
|-----------|------|
| NAME | DATE |
| | |
| | |
| | |
| | |
| | |
| | |
| | |
| | |
| | |

ILLINOIS DEPARTMENT OF TRANSPORTATION
F.A.I. 94 (DAN RYAN EXPRESSWAY)
SW CORNER GARDEN DETAIL
AT 79th STREET AND LAFAYETTE AVENUE
 SCALE: NOT TO SCALE
 DATE: MAY 1, 2008
 DRAWN BY: AMB
 CHECKED BY: TGB

4/29/2008 6:24:16 PM