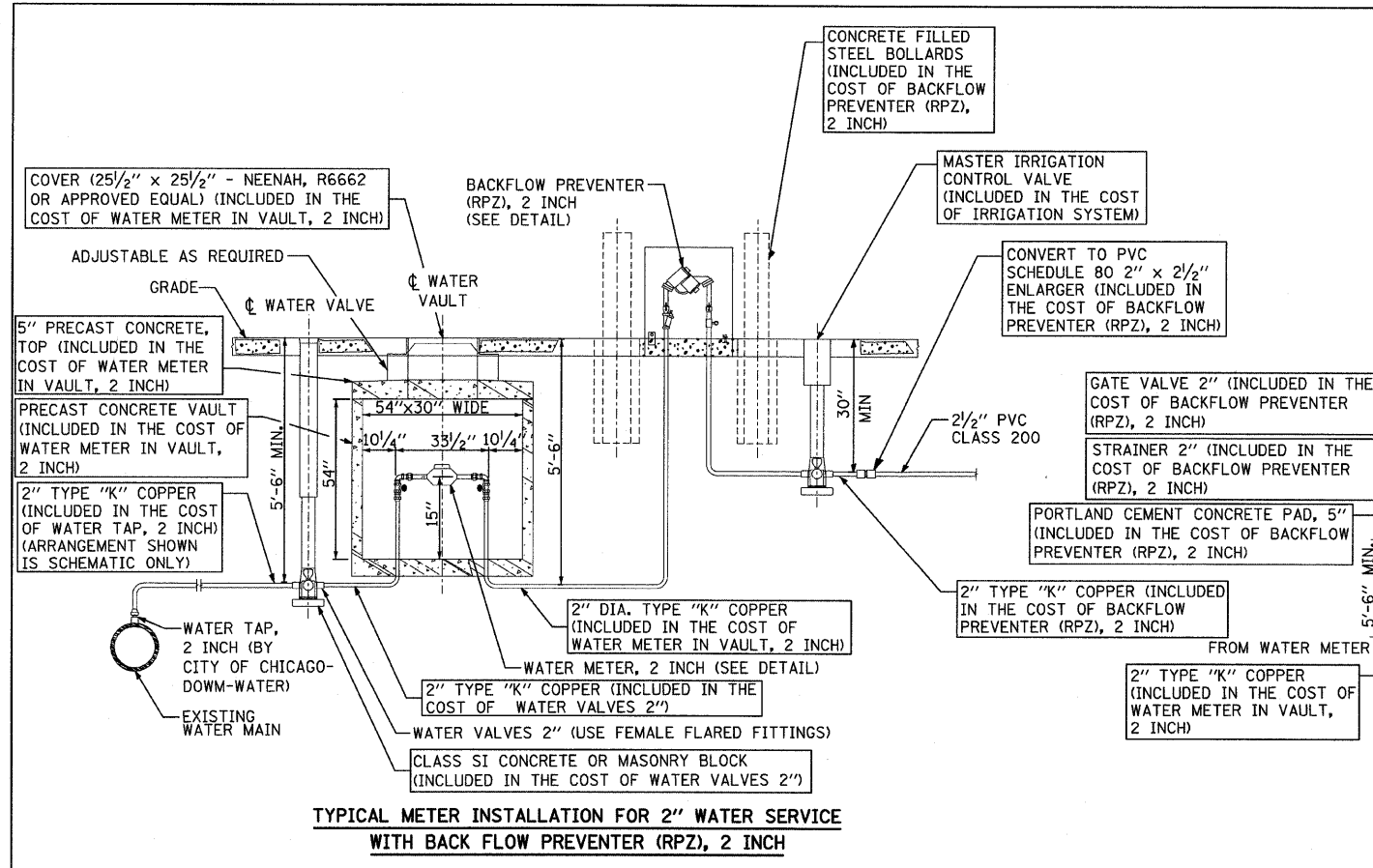
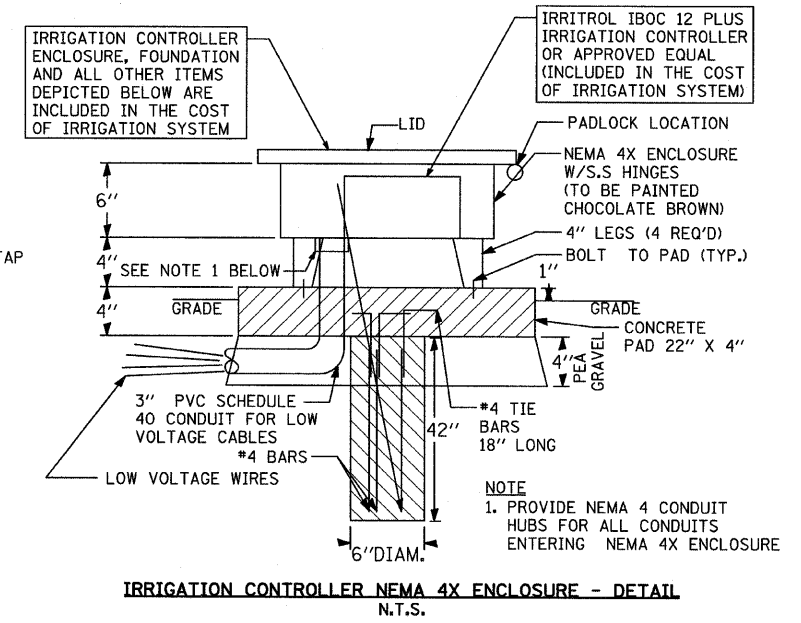
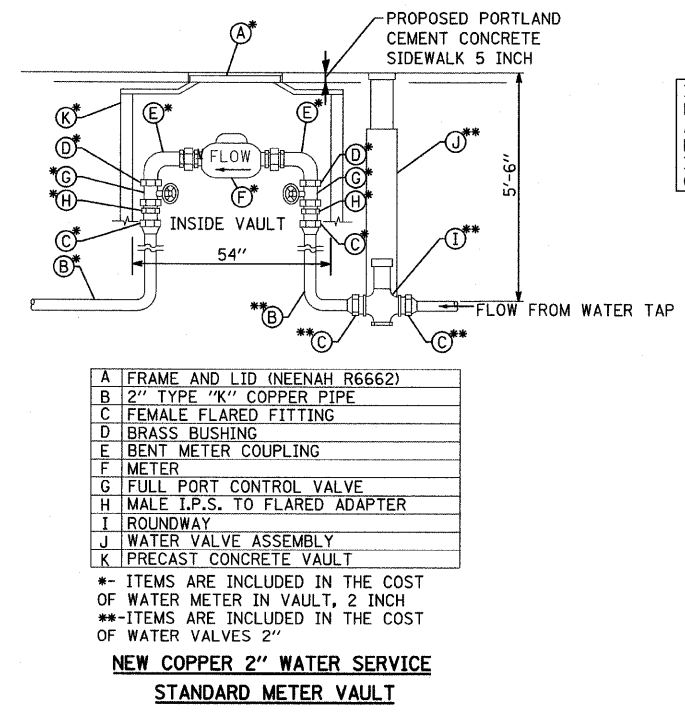
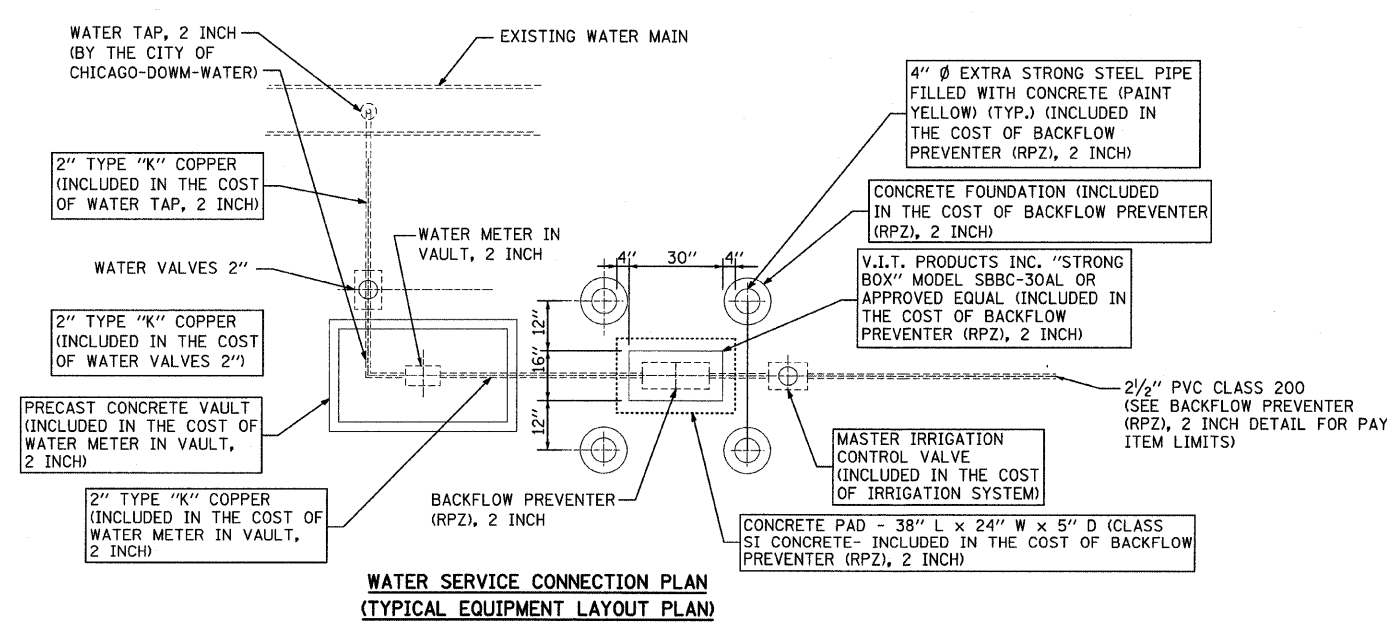
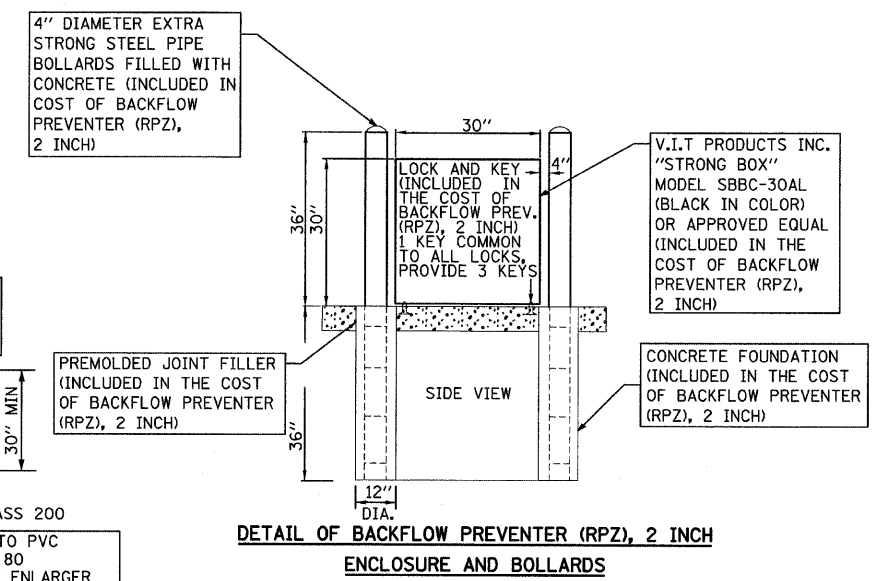


F.A.I. RTE.	SECTION	COUNTY	TOTAL SHEETS	SHEET NO.
94	2005-068 LS	COOK	52	53
STA. 153+08 (SB 1-37) TO STA. 221+95 (NB 1-37)		STA. 121+84 (SB 1-94) TO STA. 221+95 (NB 1-94)		
FED. ROAD DIST. NO.	ILLINOIS FED. AID PROJECT			

60A74



BACKFLOW PREVENTER (RPZ), 2 INCH INSTALLATION LAYOUT



TYLIN INTERNATIONAL

REVISIONS		ILLINOIS DEPARTMENT OF TRANSPORTATION F.A.I. 94 (DAN RYAN EXPRESSWAY) GATEWAY AND CORNER GARDEN WATER SERVICE EQUIPMENT INSTALLATION, PAVEMENT REMOVAL AND REPLACEMENT DETAILS SHEET 1 OF 2
NAME	DATE	
		SCALE: N.T.S. DRAWN BY: JDF DATE: OCTOBER 1, 2007 CHECKED BY: JPM

4/29/2008 6:30:03 PM