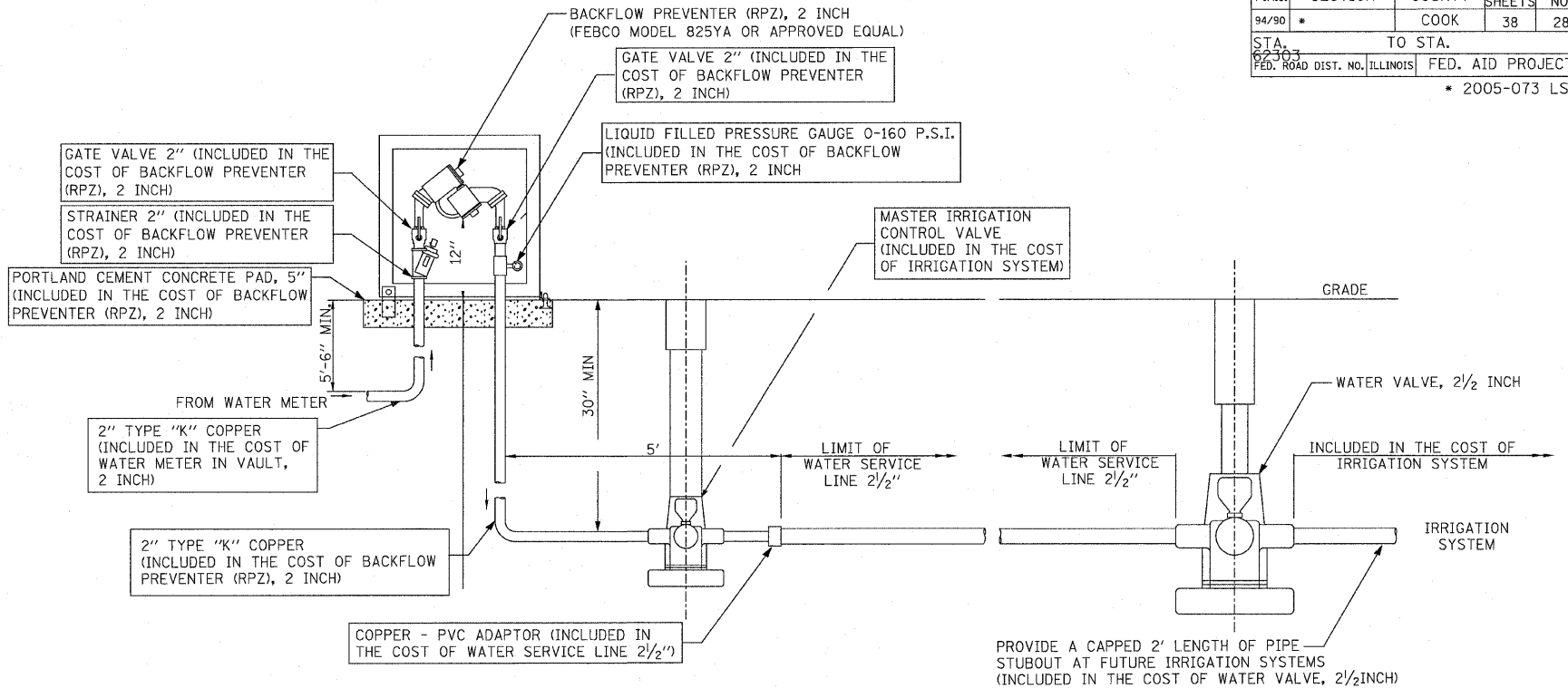
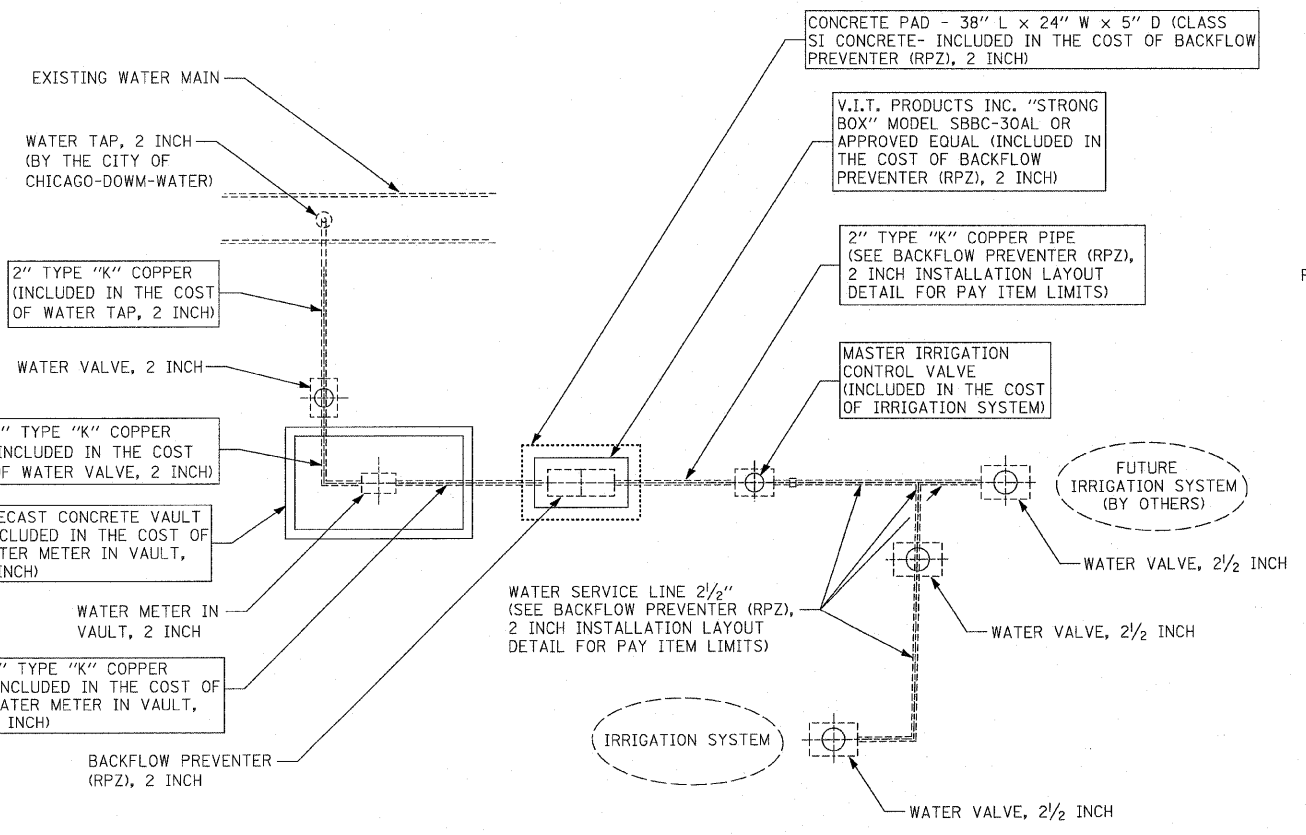


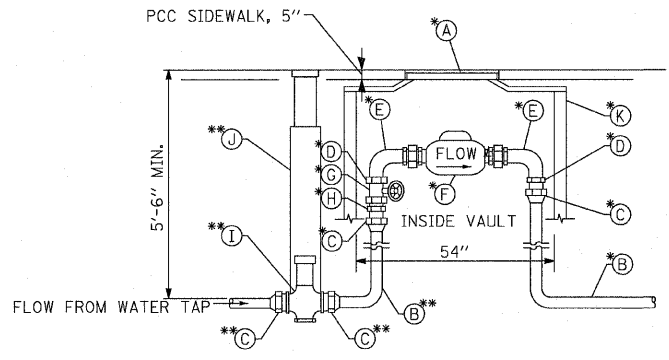
TYPICAL METER INSTALLATION FOR 2" WATER SERVICE WITH BACK FLOW PREVENTER (RPZ), 2 INCH



BACKFLOW PREVENTER (RPZ), 2 INCH INSTALLATION LAYOUT

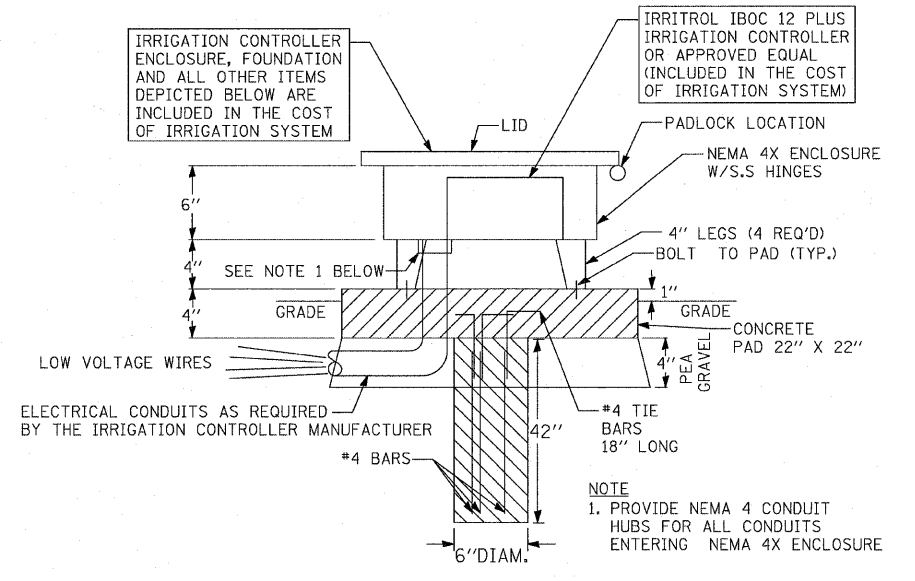


WATER SERVICE CONNECTION PLAN (TYPICAL EQUIPMENT LAYOUT PLAN)



- | | |
|---|-------------------------------|
| A | FRAME AND LID (NEENAH R6662) |
| B | 2" TYPE "K" COPPER PIPE |
| C | FEMALE FLARED FITTING |
| D | BRASS BUSHING |
| E | BENT METER COUPLING |
| F | METER |
| G | FULL PORT CONTROL VALVE |
| H | MALE I.P.S. TO FLARED ADAPTER |
| I | ROUNDWAY |
| J | WATER VALVE ASSEMBLY |
| K | PRECAST CONCRETE VAULT |
- *- ITEMS ARE INCLUDED IN THE COST OF WATER METER IN VAULT, 2 INCH
- **-ITEMS ARE INCLUDED IN THE COST OF WATER VALVE 2 INCH

NEW COPPER 2" WATER SERVICE STANDARD METER VAULT



IRRIGATION CONTROLLER NEMA 4X ENCLOSURE - DETAIL N.T.S.

BOWMAN, BARRETT & ASSOCIATES INC.
CONSULTING ENGINEERS
Chicago, Illinois
312.228.0100
www.bbandainc.com

REVISIONS	
NAME	DATE
REVISD	9/19/08

ILLINOIS DEPARTMENT OF TRANSPORTATION
F.A.I. 94/90 (DAN RYAN EXPRESSWAY)
GATEWAY LANDSCAPING & IRRIGATION @ 35TH
CIVIL DETAILS
WATER SERVICE INSTALLATION

SCALE: NTS
DATE: 03/13/07

DRAWN BY: JDC
CHECKED BY: DM

CDT-02
4:52:32 PM
9/18/2008