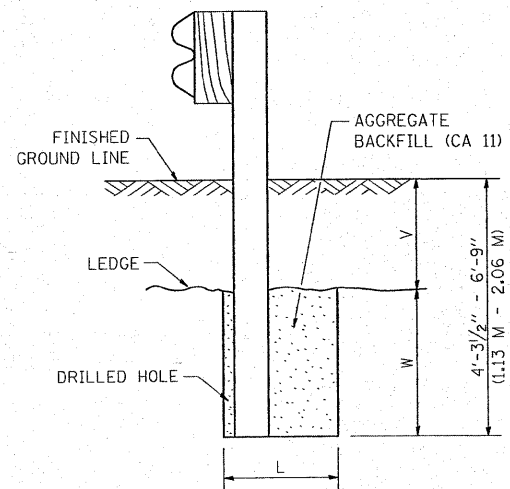


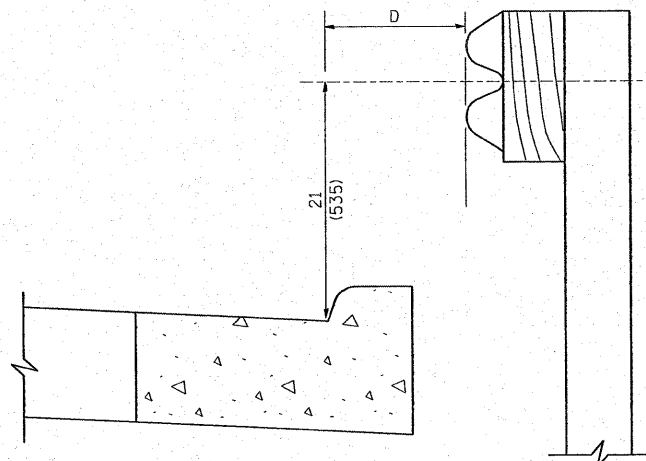
PLAN



NOTE:
LEDGE LINE IS TOP OF ROCK
LEDGE OR HARD SLAG FILL.

ELEVATION

FOOTING FOR POST WHEN IMPERVIOUS
MATERIAL IS ENCOUNTERED



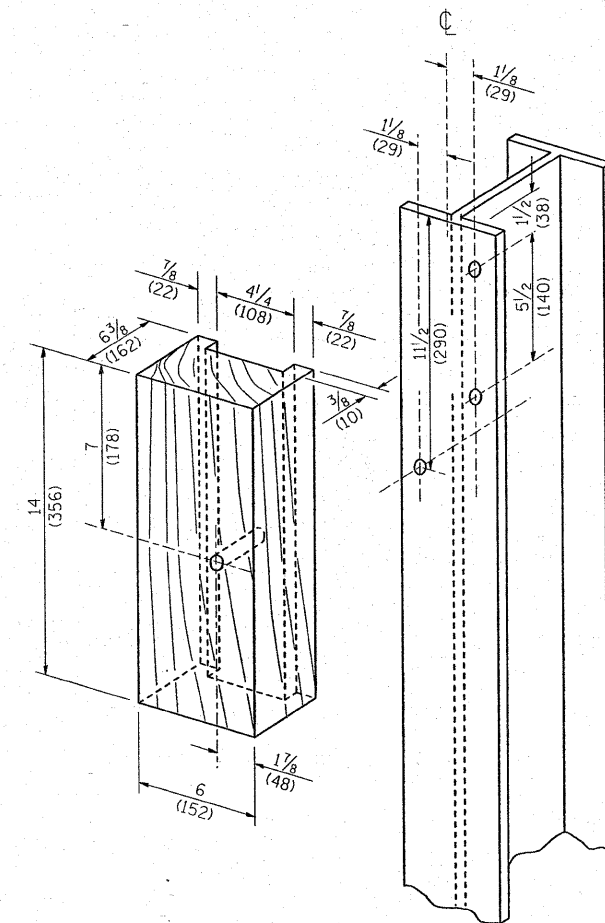
NOTE:

IF IT IS NECESSARY FOR D TO BE MORE THAN 12 (300) AND LESS THAN 10'-0" (3.0 M) TYPE M-2 (M-5) CURB AND GUTTER (STD. 60600) SHALL BE USED IN FRONT OF AND IN ADVANCE OF THE GUARDRAIL.

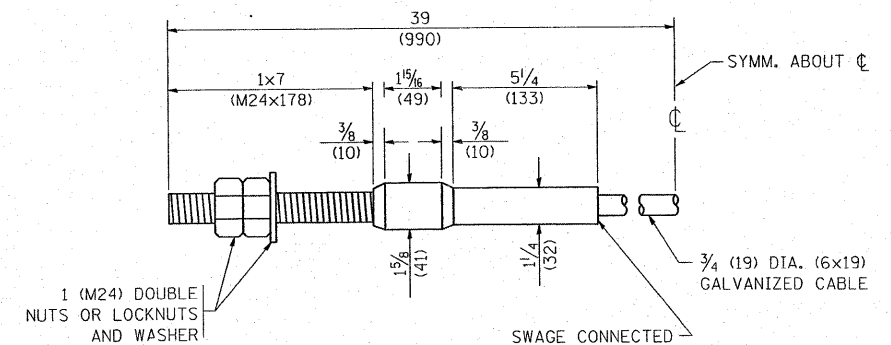
GUARDRAIL PLACED BEHIND CURB

(D = 0 DESIRABLE TO 12 (300) MAXIMUM)

V	W	L	
		STEEL POST	WOOD POST
0 - 18 (0 - 460)	24 (610)	21 (530)	23 (580)
>18 - 41.5 (> 460 - 825)	12 (305)	8 (203)	10 (250)
>41.5 - 53.5 (> 825 - 1.13 M)	12 - 0 (350 - 0)	8 (203)	10 (250)



WOOD BLOCK-OUT AND
STEEL POST DETAILS



CABLE ASSEMBLY

(40,000 LBS (18,100 KG) MIN. BREAKING STRENGTH)
TIGHTEN TO TAUT TENSION

FILE NAME =	USER NAME = galbannb	DESIGNED -	REVISED - 10-31-06
\\dist\inf\2\users\galbannb\Desktop\bm2.dgn		DRAWN -	REVISED -
PLOT SCALE = 50.0000' / IN.		CHECKED -	REVISED -
PLOT DATE = 12/27/2007		DATE -	REVISED -

STATE OF ILLINOIS
DEPARTMENT OF TRANSPORTATION

SCALE: NONE	SHEET NO. 4 OF 4 SHEETS	STA.	TO STA.
-------------	-------------------------	------	---------

F.A.P. RTE. 330	SECTION 104 T-3	COUNTY WILL	TOTAL SHEETS 32	SHEET NO. 26
BM-21			CONTRACT NO. 60B09	
FED. ROAD DIST. NO. 1 ILLINOIS FED. AID PROJECT				