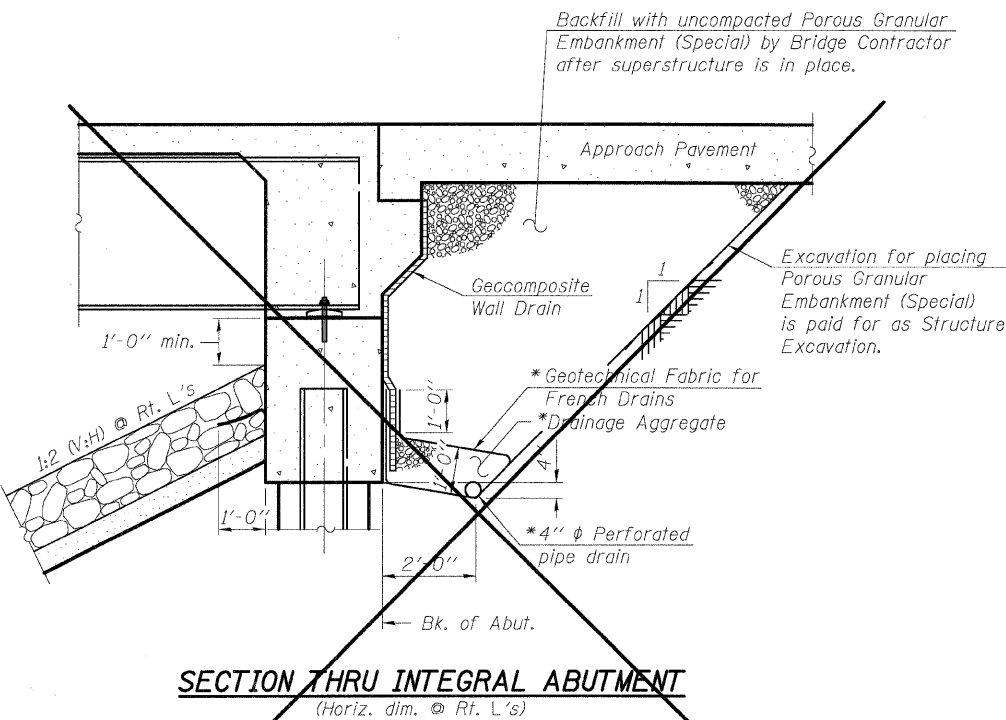
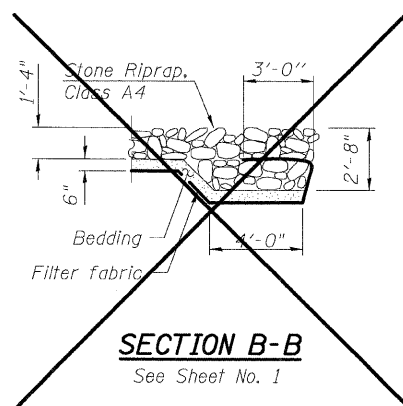
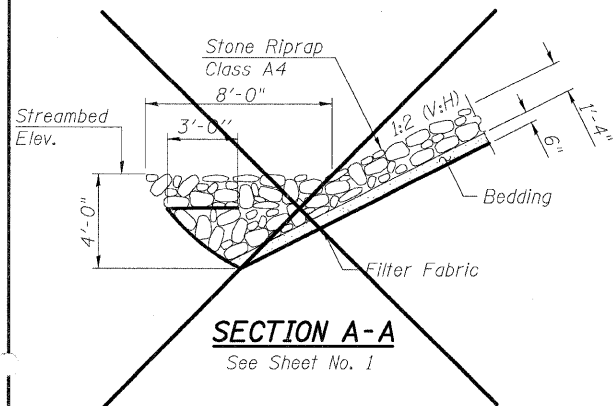


STATE OF ILLINOIS
DEPARTMENT OF TRANSPORTATION

ROUTE NO.	SECTION	COUNTY	TOTAL SHEETS	SHEET NO.
F.A.P. 324	23B (1&2)F	McHENRY	17	4
FED. ROAD DIST. NO. 7		ILLINOIS	FED. AID PROJECT-	

Contract # 60E54



* Included in the cost of Pipe Underdrains for Structures.

Note:
All drainage system components shall extend to 2'-0" from the end of each wingwall except an outlet pipe shall extend until intersecting with the side slopes. The pipes shall drain into concrete headwalls. (See Article 601.05 of the Standard Specifications and Highway Standard 60110).

DESIGNED	CJB
CHECKED	PWO
DRAWN	DRP
CHECKED	PJM

GENERAL NOTES

- Fasteners shall be AASHTO M164 Type 1, mechanically galvanized bolts. Bolts $\frac{7}{8}$ in. dia., holes $\frac{1}{16}$ in. dia., unless otherwise noted.
- Calculated weight of Structural Steel = 468,200 pounds (Gr. 50), 22,370 pounds (Gr. 36).
- No field welding is permitted except as specified in the contract documents.
- Reinforcement bars shall conform to the requirements of ASTM A 706 Gr 60 (IL Modified). See Special Provisions.
- Reinforcement bars designated (E) shall be epoxy coated.
- If the Contractor elects to use cantilever forming brackets on the exterior beams or girders, the brackets shall be placed at the same locations as required for the hardwood blocks in Article 503.06(b) of the Standard Specifications. If additional cantilever forming brackets are required, hardwood blocking shall be wedged between the exterior and first interior beam at each of these additional bracket locations.
- Bearing seat surfaces shall be constructed or adjusted to the designated elevations within a tolerance of $\frac{1}{8}$ in. (0.01 ft.). Adjustment shall be made either by grinding the surface or by shimming the bearings.
- The Organic Zinc Rich Primer / Epoxy / Urethane Paint System shall be used for painting of new structural steel except where otherwise noted. The entire system shall be shop applied, with the exception that masked off connection surfaces, field installed fasteners and damaged areas shall be touched up in the field. The color of the final finish coat for all interior steel surfaces shall be Gray, Munsell No. 5B 7/1. The color of the final finish coat for the exterior and bottom flange of the fascia beams shall be Blue, Munsell No. 10B 3/6. See Special Provision for "Cleaning and Painting New Metal Structures".
- Layout of the slope protection system may be varied to suit ground conditions in the field as directed by the Engineer.
- The Contractor shall drive test piles to 110% of the nominal required bearing specified in production locations at substructures specified or approved by the Engineer before ordering the remainder of piles.
- The Contractor shall limit the pile hammer size selected considering the relatively high soil strengths indicated in the borings and avoid overdriving the piles beyond their normal required bearing to prevent pile damage during driving.

TOTAL BILL OF MATERIAL

Item	Unit	Super	Sub	Total
Removal of Existing Structures	Each	—	—	1
Bar Splitters	Each	90	—	90
Concrete Superstructure	Cu. Yd.	409.2	—	409.2
Concrete Structure	Cu. Yd.	—	146.9	146.9
Reinforcement Bars, Epoxy Coated	Pound	91,570	12,390	103,930
Drainage Scuppers, DS-11	Each	2	—	2
Furnishing and Erecting Structural Steel	L. Sum	1	—	1
Test Pile Metal Shells	Each	—	2	2
Furnishing Metal Shell Piles, 12" x 0.250"	Foot	—	1386	1386
Test Pile Steel HP12x53	Each	—	2	2
Furnish Steel Piles HP12x53	Foot	—	1375	1375
Driving Piles	Foot	—	2761	2761
Pile Shoes	Each	—	54	54
Protective Coat	Sq. Yd.	1782.2	—	1782
Bridge Deck Grooving	Sq. Yd.	1213	—	1213
Structure Excavation	Cu. Yd.	—	467	467
Porous Granular Embankment, Special	Cu. Yd.	—	115	115
Filter Fabric	Sq. Yd.	—	555	555
Stone Riprap, Class A4	Sq. Yd.	—	447	447
Name Plates	Each	—	—	1
Stud Shear Connectors	Each	6968	—	8112
Underwater Structure Excavation Protection L1	Each	—	1	1
Underwater Structure Excavation Protection L2	Each	—	1	1
Concrete Encasement	Cu. Yd.	—	24.8	24.8
Geocomposite Wall Drain	Sq. Yd.	—	67	67
Pipe Underdrains for Structures 4"	Foot	—	121	121
Anchor Bolts, 1"	Each	—	64	64
Asbestos Bearing Pad Removal	Each	120	—	120
Furnishing Structural Steel	L. Sum	1	—	1
Storage of Structural Steel	Cal Day	—	—	60

STATION 69+02.5
BUILT 200 BY
STATE OF ILLINOIS
F.A.P. RT. 324 SEC. 23BR-1
LOADING H-93
STR. NO. 056-0001

LETTERING FOR NAME PLATE

See Plan View on sheet 1 of 26,
& Std 515001 for name plate location



V3 Companies of Illinois Ltd.
7325 Janes Avenue
Woodridge, IL 60517
630.724.9200 phone
630.724.9202 fax
www.v3co.com

GENERAL DATA

ILL. ROUTE 23 OVER
KISHWAUKEE RIVER
F.A.P. RT. 324 - SEC. 23B (1&2)F
McHENRY COUNTY
STATION 69+02.50
STRUCTURE NO. 056-0001