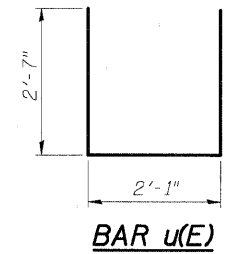
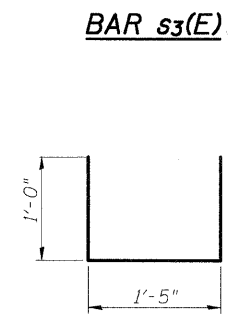
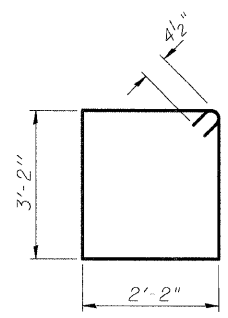
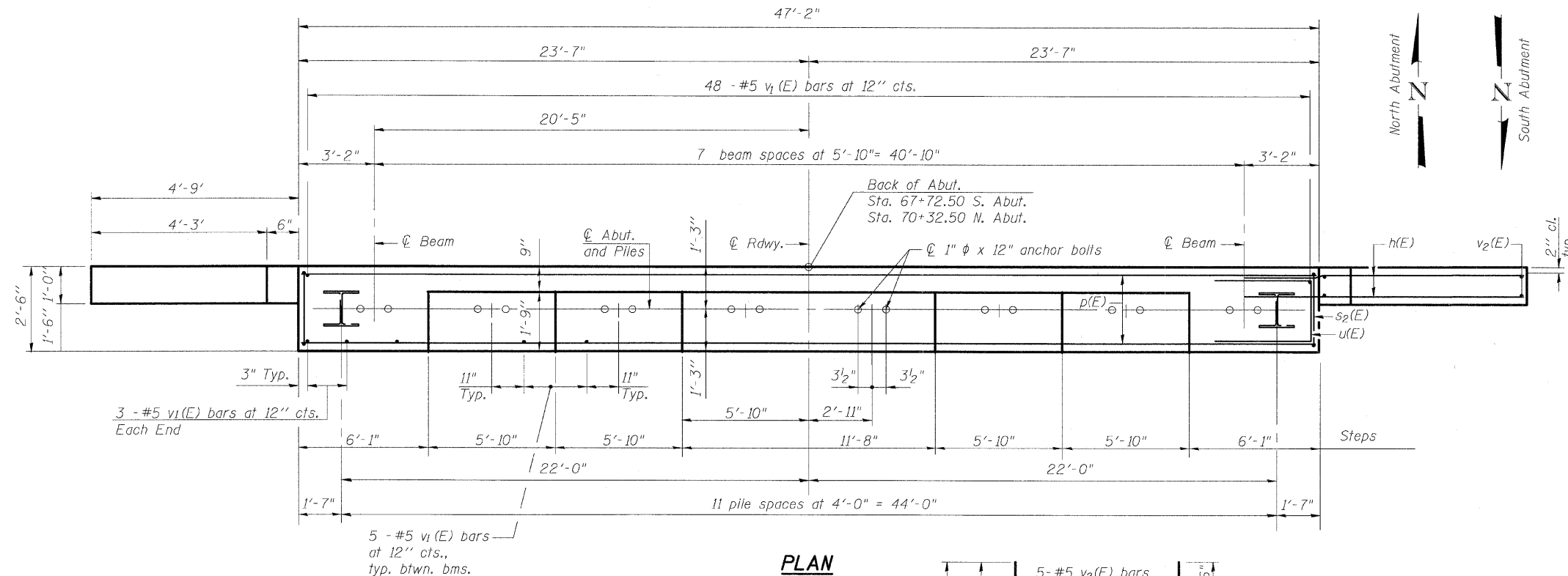
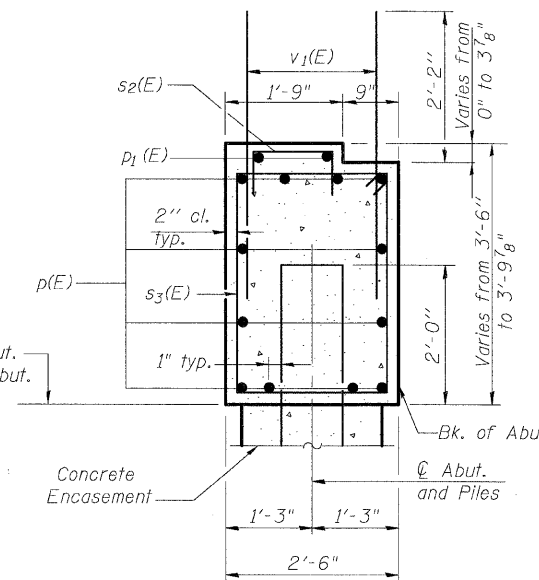
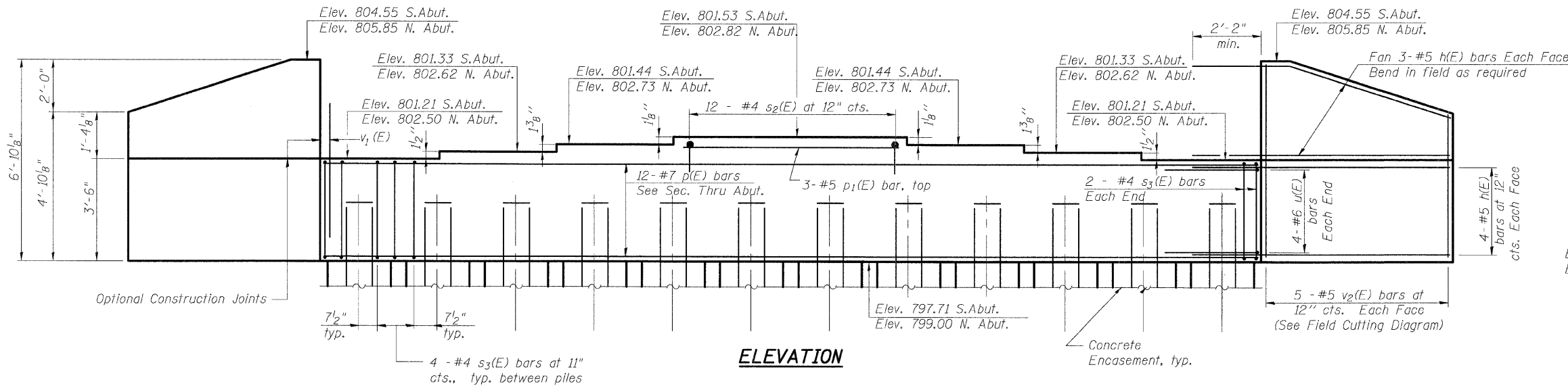


STATE OF ILLINOIS  
DEPARTMENT OF TRANSPORTATION

ROUTE NO.	SECTION	COUNTY	TOTAL SHEETS	SHEET NO.
F.A.P. 324	23B (1&2)F	McHENRY	17	16
FED. ROAD DIST. NO. 7	ILLINOIS	FED. AID PROJECT		

Contract # 60E54

Notes: Pour steps monolithically with cap.  
Space reinforcement in cap to miss  
Anchor Bolts.



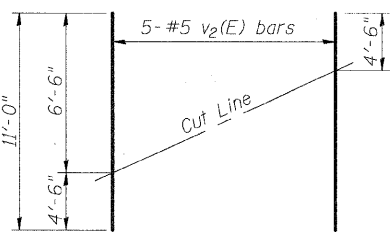
**BILL OF MATERIAL**

(South & North Abutment)

Bar No.	Size	Length	Shape
h(E)	#5	7'-1"	—
p(E)	#7	46'-10"	—
p <sub>1</sub> (E)	#5	11'-4"	—
s <sub>2</sub> (E)	#4	3'-5"	□
s <sub>3</sub> (E)	#4	11'-5"	□
u(E)	#6	7'-3"	—
v <sub>1</sub> (E)	#5	4'-4"	—
v <sub>2</sub> (E)	#5	11'-5"	—
Structure Excavation	Cu. Yd.	272.6	
Concrete Structures	Cu. Yd.	35.6	
Reinforcement Bars, Epoxy Coated	Pound	4,780	
Furnishing Steel Piles HP 12x53	Foot	1375	
Driving Piles	Foot	1375	
Test Pile Steel HP12x53	Each	2	
Concrete Encasement	Cu. Yd.	8.4	
Pile Shoes	Each	24	

For details of piles and Concrete Encasement, see sheet 17 of 26.

**FOR INFORMATION ONLY  
NOT PART OF THIS CONTRACT**



Order v<sub>2</sub>(E) full length. Cut as shown and use remainder of bars in opposite face.

**PILE DATA**

South Abutment  
Type: Steel HP12x53 with pile shoes  
Nominal Required Bearing: 240 kips  
Factored Resistance Available: 120 kips  
Est. Length: 60'  
No. Production Piles: 11  
No. Test Piles: 1

North Abutment  
Type: Steel HP12x53 with pile shoes  
Nominal Required Bearing: 240 kips  
Factored Resistance Available: 120 kips  
Est. Length: 65'  
No. Production Piles: 11  
No. Test Piles: 1

DESIGNED	CJB
CHECKED	PWO
DRAWN	DRP
CHECKED	PJM



V3 Companies of Illinois Ltd.  
7325 Janes Avenue  
Woodridge, IL 60517  
630.724.9200 phone  
630.724.9202 fax  
www.v3co.com

**ABUTMENTS**

ILL. ROUTE 23 OVER  
KISHWAUKEE RIVER  
F.A.P. RT. 324 - SEC. 23B (1&2)F  
McHENRY COUNTY  
STATION 69+02.50  
STRUCTURE NO. 056-0001