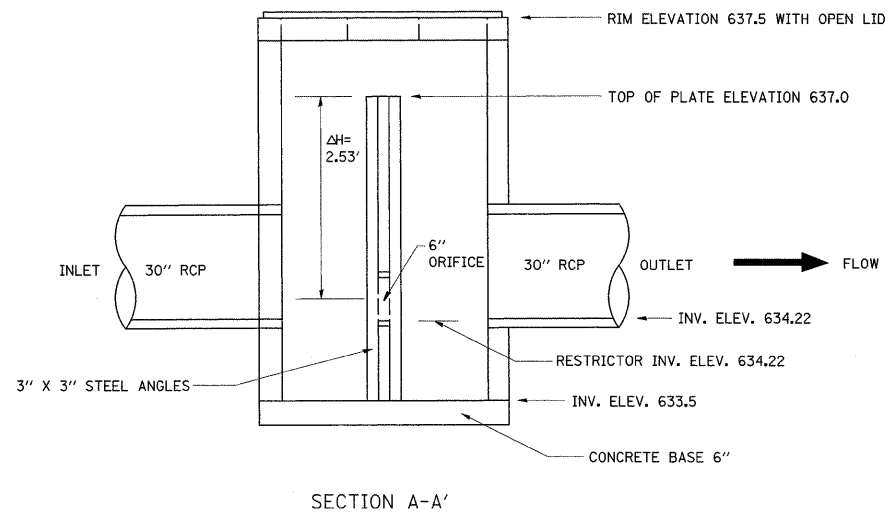
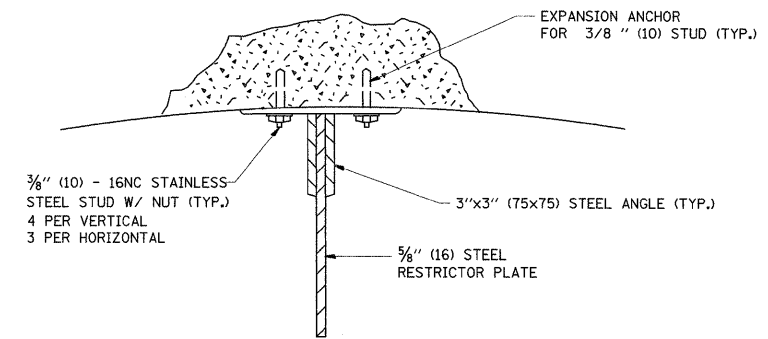


STEEL ANGLE BOLTING DETAILS



NOT TO SCALE



ANGLE FASTENER DETAIL

NOTES:

1. ALL STEEL ANGLES AND PLATES TO BE GALVANIZED AFTER FABRICATION.
2. ALL RESTRICTOR PLATES, ANGLES AND HARDWARE TO BE INCLUDED IN THE COST OF THE MANHOLE.
3. BASIS OF PAYMENT: "MANHOLES, TYPE A, 4' DIAMETER, TYPE 8 GRATE, RESTRICTOR PLATE"

FILE NAME =
K:\p199107\1L436IL19\sh.o11.dgn

USER NAME = lejasa

DESIGNED -

REVISED -

DRAWN -

REVISED -

PLOT SCALE = 50.0000' / IN.

CHECKED -

REVISED -

PLOT DATE = 8/27/2008

DATE -

REVISED -

STATE OF ILLINOIS
DEPARTMENT OF TRANSPORTATION

RESTRICTOR DETAIL

F.A.P. RTE.	SECTION	COUNTY	TOTAL SHEETS	SHEET NO.
345	2008-036 LS	COOK	10	10
CONTRACT NO. 60E77				

SCALE: SHEET NO. OF SHEETS STA. TO STA.

FED. ROAD DIST. NO. ILLINOIS FED. AID PROJECT