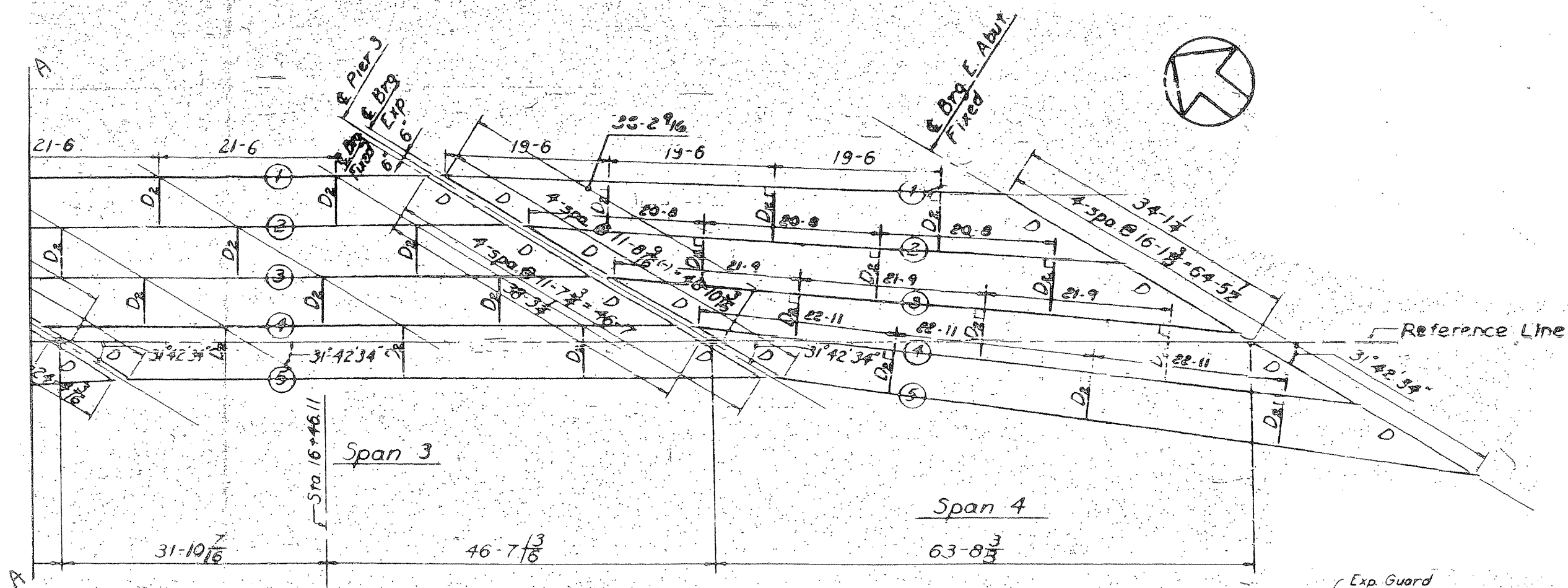


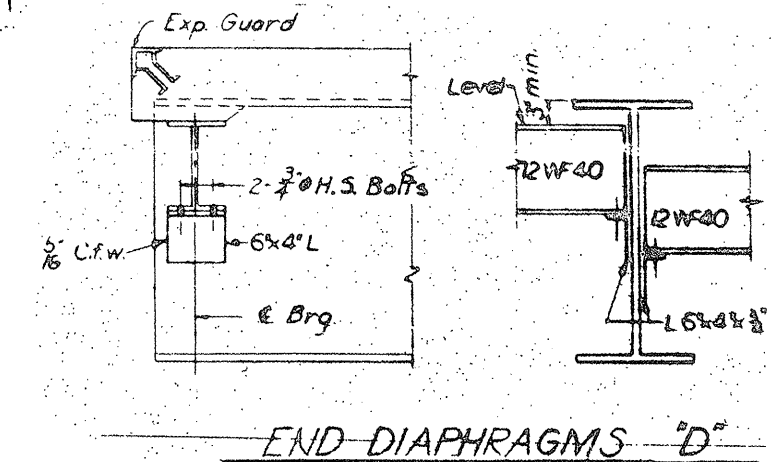
ROUTE VARIOUS	SECTION 2008-052 BP	COUNTY VARIOUS	TOTAL SHEETS 19	SHEET NUMBER 15
------------------	------------------------	-------------------	--------------------	--------------------

CONTRACT 60F03



FRAMING PLAN

	Bcom	WF Section	L
SPAN 1	①	36WF150	53-2 ³ / ₈
	②③	30WF116	53-2 ³ / ₈
	④	30WF116	53-11 ¹ / ₂
	⑤	36WF150	54-8 ⁷ / ₈
	①	36WF150	52-6 ¹ / ₈
SPAN 2	②③	30WF116	52-6 ¹ / ₈
	④	30WF116	54-9 ⁵ / ₈
	⑤	36WF150	57-1 ³ / ₈
SPAN 3	**①	36WF194	75-11 ³ / ₈
	②③④	36WF160	75-11 ³ / ₈
	⑤	36WF194	75-11 ³ / ₈
	①	36WF160	66-5 ³ / ₈
SPAN 4	②	36WF160	70-1 ³ / ₈
	③	36WF160	74-0 ¹ / ₂
	④	36WF160	78-0 ⁵ / ₈
	**⑤	36WF194	82-0 ¹ / ₂



END DIAPHRAGMS "D"

**FOR
INFORMATION
ONLY**

ILLINOIS DEPARTMENT OF TRANSPORTATION

**EXISTING BRIDGE PLAN
LOCATION 3, SN 016-1010**

SHEET 3 OF 3