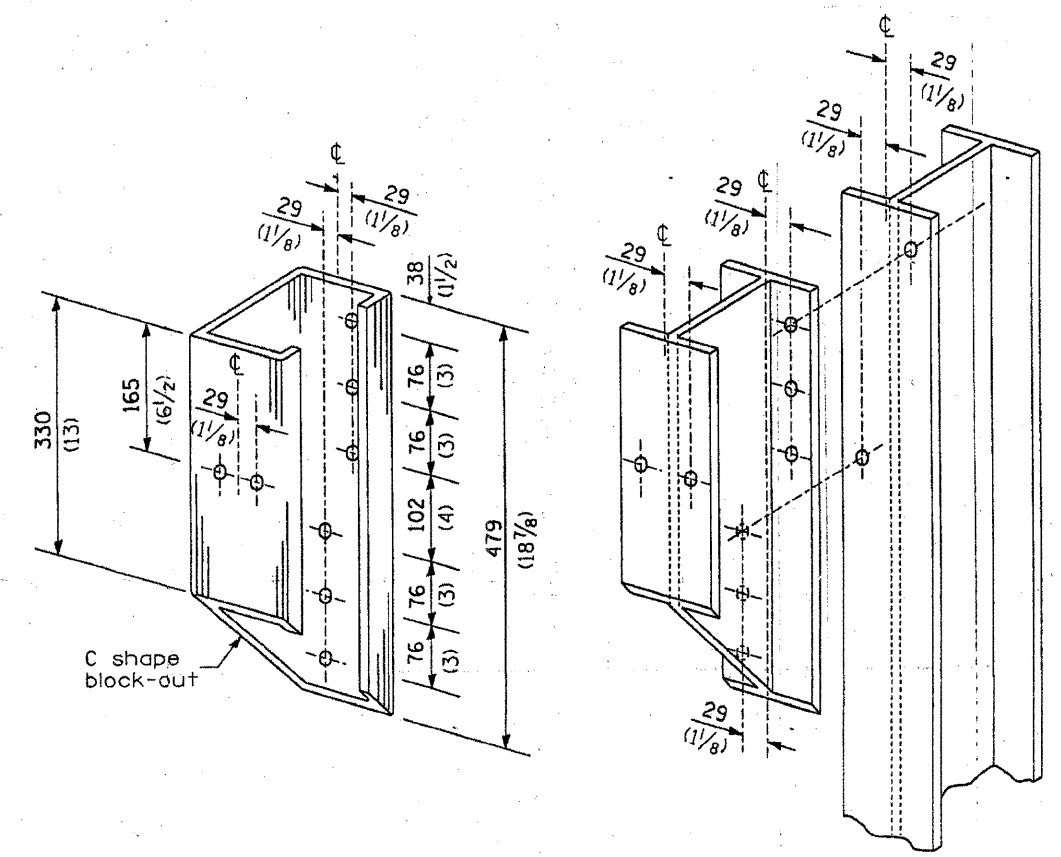


F. P. DIST.	SECTION	COUNTY	TOTAL SHEETS	SHEET NO.
VAR	08-057GR	VAC	22	16
STA.	TO STA.			
FED. ROAD DIST NO 7	ILLINOIS	FED AID PROJECT		

Contract 60F15



STEEL BLOCK-OUT AND
STEEL POST DETAILS

REVISIONS	
NAME	DATE

ILLINOIS DEPARTMENT OF TRANSPORTATION

STEEL PLATE BEAM GUARDRAIL
STEEL BLOCK-OUT DETAIL

SCALE: VERT. _____
HORIZ. _____

DATE _____

DRAWN BY _____
DESIGNED BY _____
CHECKED BY _____