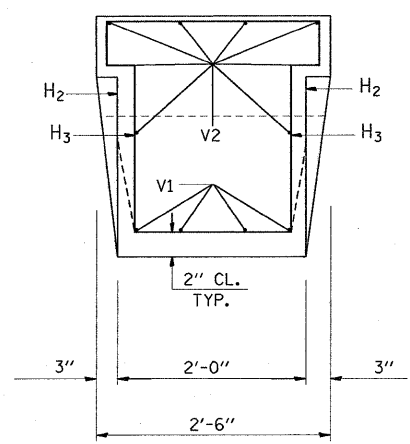
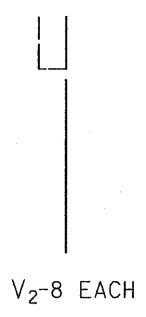
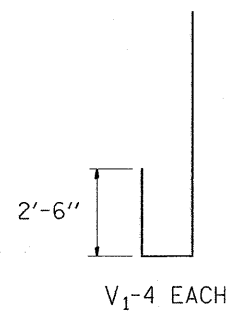
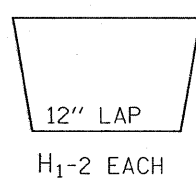
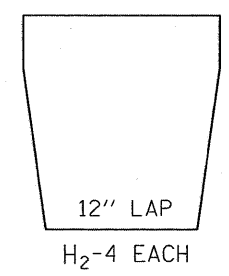
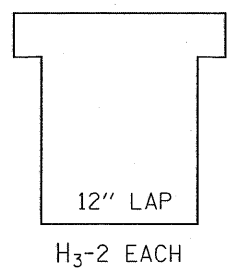


GUARD RAIL TRANSITIONS

NOTES: CLASS X CONCRETE SHALL BE USED THROUGHOUT  
REINFORCEMENT TO BE SIZE #4 UNLESS OTHERWISE  
NOTED



#6 DOWEL BARS  
DRILL AND GROUT ON ROW OF THREE BARS



FILE NAME = W:\diststd\22x34\bm04.dgn	USER NAME = mcdjjo	DESIGNED -	REVISED - R. RITCHIE 05-02-00	<b>STATE OF ILLINOIS DEPARTMENT OF TRANSPORTATION</b>	<b>TYPICAL DETAILS FOR STEEL PLATE BEAM GUARDRAIL ANCHORAGE REPAIR</b>			F.A. -	SECTION	COUNTY	TOTAL SHEETS	SHEET NO.	
		DRAWN - RFL	REVISED -		SCALE: NONE	SHEET NO. 1 OF 1 SHEETS	STA.	TO STA.	VAR.	2008-058 GRR	VARIOUS	21	8
		CHECKED -	REVISED -							BM-04			
		PLOT DATE = 8/27/2008	DATE - 10-31-88										CONTRACT NO. 60F16
								FED. ROAD DIST. NO. 1 ILLINOIS FED. AID PROJECT					