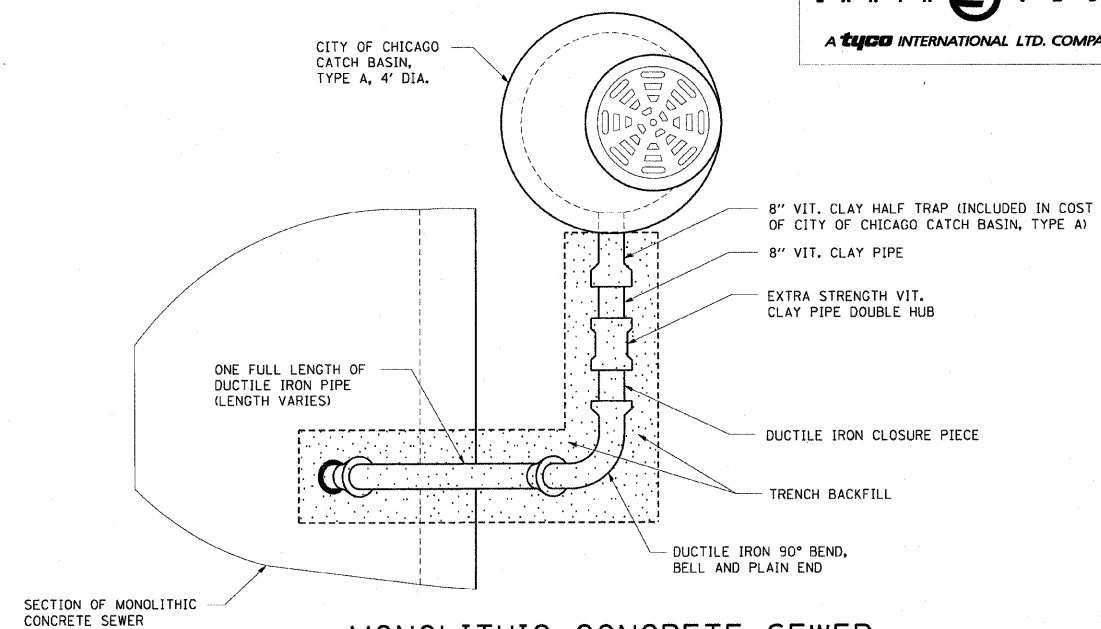
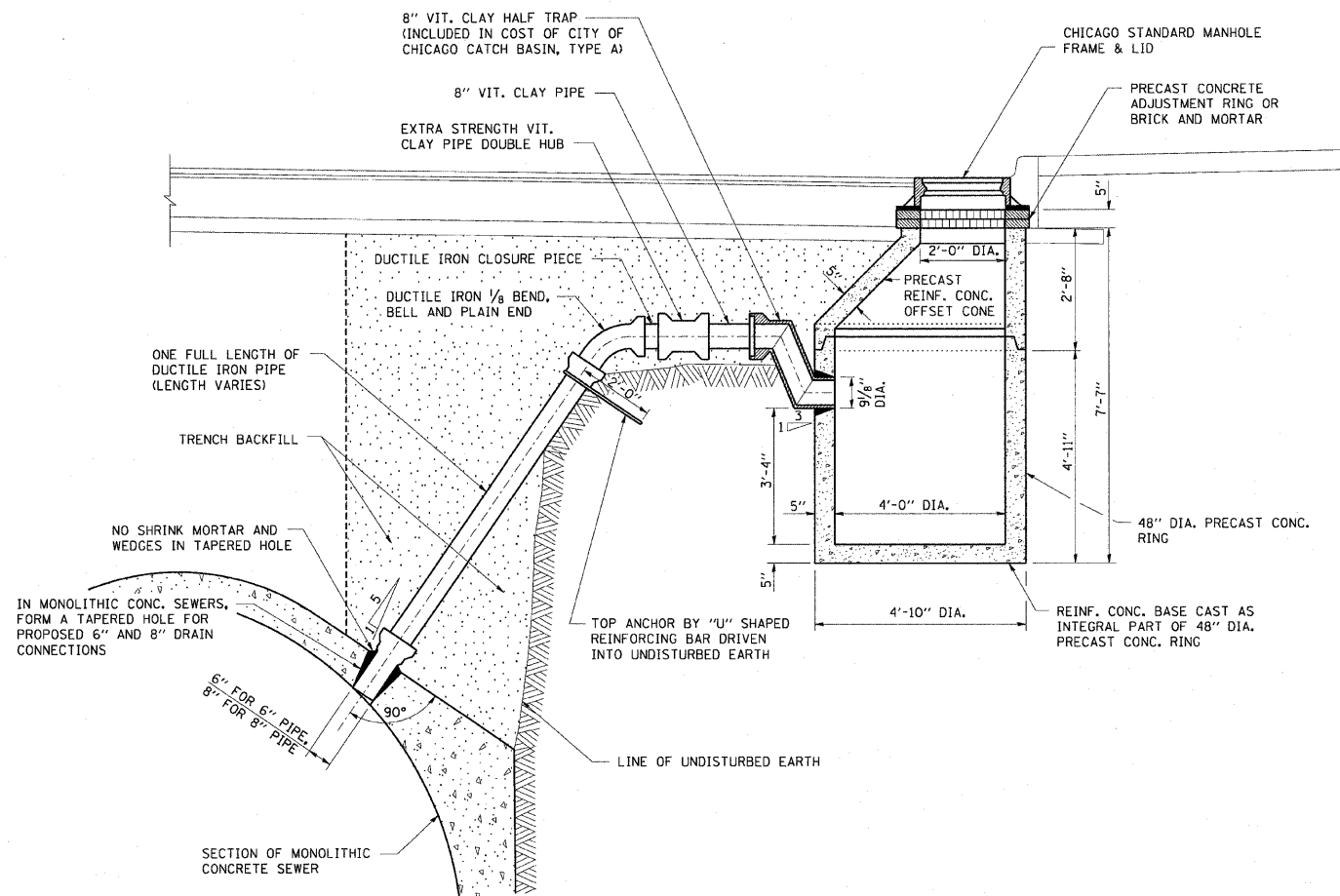


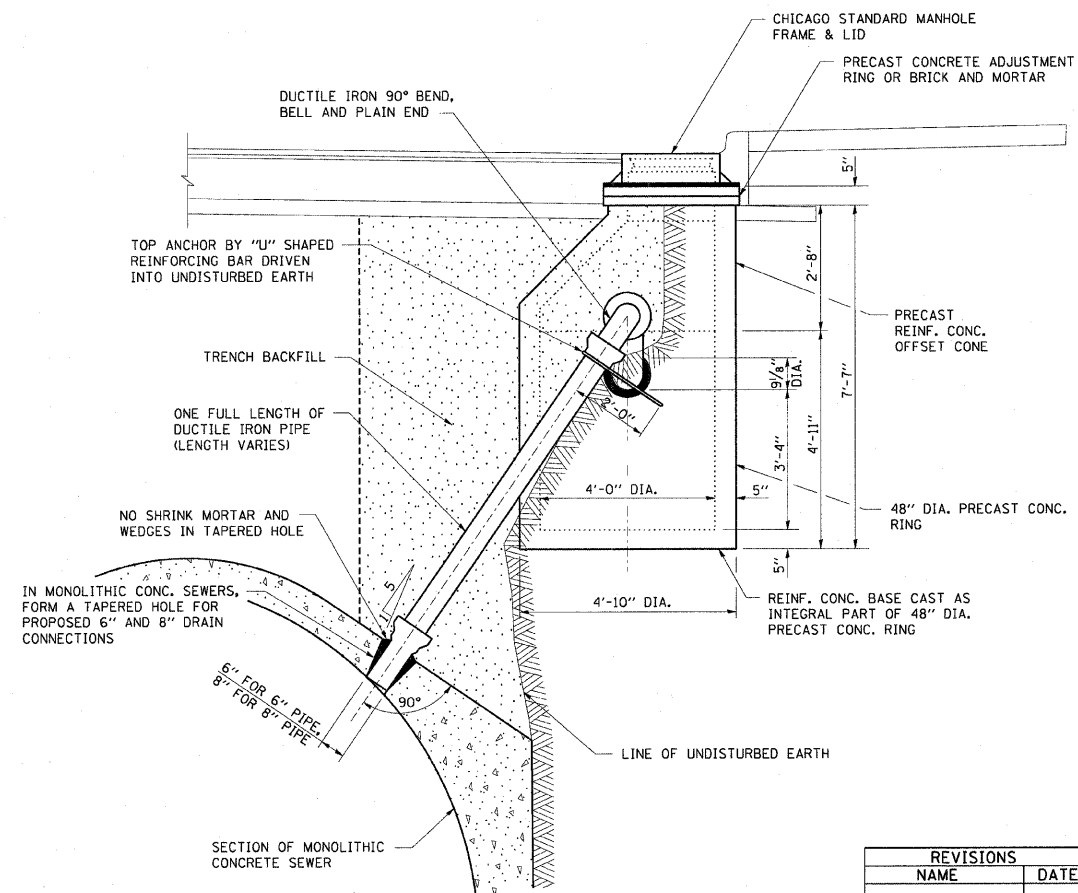
**MONOLITHIC CONCRETE SEWER
CATCH BASIN CONNECTION
PLAN VIEW**



**MONOLITHIC CONCRETE SEWER
ALTERNATIVE CATCH BASIN CONNECTION
PLAN VIEW**



**MONOLOITHIC CONCRETE SEWER
CATCH BASIN CONNECTION
ELEVATION**



**MONOLITHIC CONCRETE SEWER
ALTERNATIVE CATCH BASIN CONNECTION
ELEVATION**

REVISIONS	
NAME	DATE

ILLINOIS DEPARTMENT OF TRANSPORTATION
31st STREET

**CONSTRUCTION DETAILS
STORM SEWER DETAILS**

SCALE: N.T.S. DRAWN BY: MXF
DATE: APRIL 8, 2008 CHECKED BY: MJE