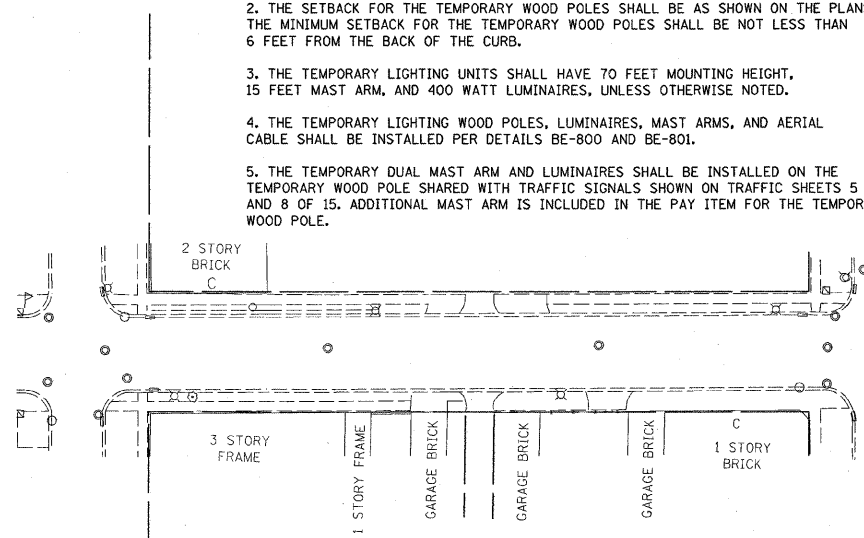


F.A.U. RTE.	SECTION	COUNTY	TOTAL SHEETS	SHEET NO.
1463	1010.1B	COOK	171	63
STA. 200+00		TO STA. 210+00		
FED. ROAD DIST. NO.		ILLINOIS		FED. AID PROJECT

NOTES:

1. THE EXISTING POLES TO BE REMOVED SHALL REMAIN IN PLACE AND BE UTILIZED IN THE TEMPORARY LIGHTING INSTALLATION UNTIL THE PROPOSED LIGHT POLES ARE INSTALLED AND ARE FULLY OPERATIONAL. THE EXCEPTION IS THE POLES ON 31ST STREET BRIDGES. THE FIVE POLES BETWEEN THE TWO BRIDGES AND THE POLES ON CICERO AVENUE APPROACH WHICH CAN BE REMOVED AS NECESSARY.
2. THE SETBACK FOR THE TEMPORARY WOOD POLES SHALL BE AS SHOWN ON THE PLANS. THE MINIMUM SETBACK FOR THE TEMPORARY WOOD POLES SHALL BE NOT LESS THAN 6 FEET FROM THE BACK OF THE CURB.
3. THE TEMPORARY LIGHTING UNITS SHALL HAVE 70 FEET MOUNTING HEIGHT, 15 FEET MAST ARM, AND 400 WATT LUMINAIRES, UNLESS OTHERWISE NOTED.
4. THE TEMPORARY LIGHTING WOOD POLES, LUMINAIRES, MAST ARMS, AND AERIAL CABLE SHALL BE INSTALLED PER DETAILS BE-800 AND BE-801.
5. THE TEMPORARY DUAL MAST ARM AND LUMINAIRES SHALL BE INSTALLED ON THE TEMPORARY WOOD POLE SHARED WITH TRAFFIC SIGNALS SHOWN ON TRAFFIC SHEETS 5 AND 8 OF 15. ADDITIONAL MAST ARM IS INCLUDED IN THE PAY ITEM FOR THE TEMPORARY WOOD POLE.

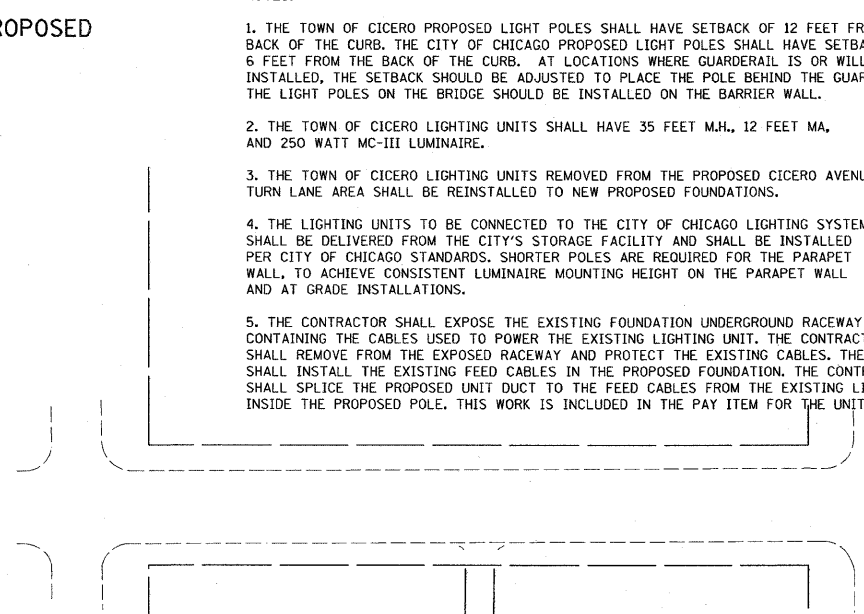


6. THE CONTRACTOR SHALL LOCATE AND PROTECT THE FEED CABLES FROM THE REMAINING EXISTING LIGHT POLES DURING THE FOUNDATION REMOVAL. THE CONTRACTOR SHALL INSTALL THE EXISTING FEED CABLES IN THE NEW FOUNDATION TO ENERGIZE THE PROPOSED LIGHTING UNITS.

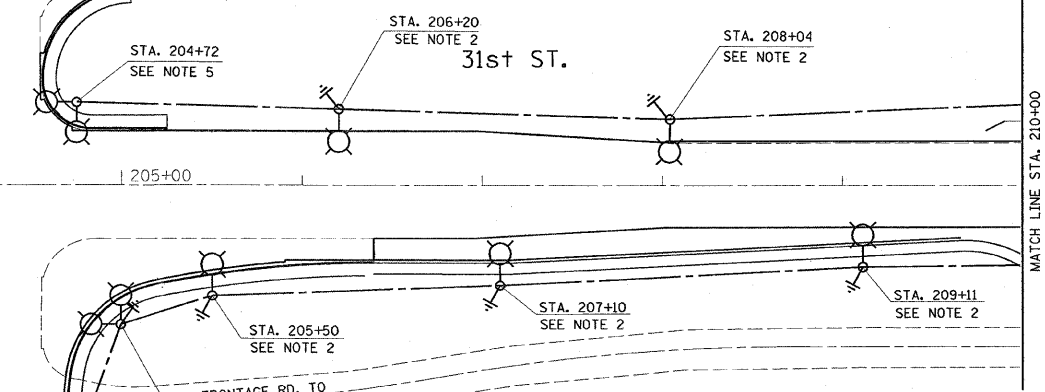
EXISTING/ TEMPORARY

NOTES:

1. THE TOWN OF CICERO PROPOSED LIGHT POLES SHALL HAVE SETBACK OF 12 FEET FROM THE BACK OF THE CURB. THE CITY OF CHICAGO PROPOSED LIGHT POLES SHALL HAVE SETBACK OF 6 FEET FROM THE BACK OF THE CURB. AT LOCATIONS WHERE GUARDRAIL IS OR WILL BE INSTALLED, THE SETBACK SHOULD BE ADJUSTED TO PLACE THE POLE BEHIND THE GUARDRAIL. THE LIGHT POLES ON THE BRIDGE SHOULD BE INSTALLED ON THE BARRIER WALL.
2. THE TOWN OF CICERO LIGHTING UNITS SHALL HAVE 35 FEET M.H., 12 FEET MA, AND 250 WATT MC-III LUMINAIRE.
3. THE TOWN OF CICERO LIGHTING UNITS REMOVED FROM THE PROPOSED CICERO AVENUE TURN LANE AREA SHALL BE REINSTALLED TO NEW PROPOSED FOUNDATIONS.
4. THE LIGHTING UNITS TO BE CONNECTED TO THE CITY OF CHICAGO LIGHTING SYSTEM, SHALL BE DELIVERED FROM THE CITY'S STORAGE FACILITY AND SHALL BE INSTALLED PER CITY OF CHICAGO STANDARDS. SHORTER POLES ARE REQUIRED FOR THE PARAPET WALL, TO ACHIEVE CONSISTENT LUMINAIRE MOUNTING HEIGHT ON THE PARAPET WALL AND AT GRADE INSTALLATIONS.
5. THE CONTRACTOR SHALL EXPOSE THE EXISTING FOUNDATION UNDERGROUND RACEWAY CONTAINING THE CABLES USED TO POWER THE EXISTING LIGHTING UNIT. THE CONTRACTOR SHALL REMOVE FROM THE EXPOSED RACEWAY AND PROTECT THE EXISTING CABLES. THE CONTRACTOR SHALL INSTALL THE EXISTING FEED CABLES IN THE PROPOSED FOUNDATION. THE CONTRACTOR SHALL SPLICE THE PROPOSED UNIT DUCT TO THE FEED CABLES FROM THE EXISTING LIGHTING UNITS INSIDE THE PROPOSED POLE. THIS WORK IS INCLUDED IN THE PAY ITEM FOR THE UNIT DUCT.



PROPOSED



REVISIONS	
NAME	DATE
S.L.	9-26-08

ILLINOIS DEPARTMENT OF TRANSPORTATION
EXISTING/ TEMPORARY & PROPOSED LIGHTING PLANS
31st STREET
IL. 50 (CICERO AVE.) TO KOSTNER AVE.
 SCALE: VERT. 1"=50'
 DATE 9/22/2008
 DRAWN BY
 CHECKED BY

PLOT DATE = 9/22/2008
 FILE NAME = C:\22\2008\117881\eh...lighting.dgn
 PLOT SCALE = 50.0000 7 / IN.
 USER NAME = bward