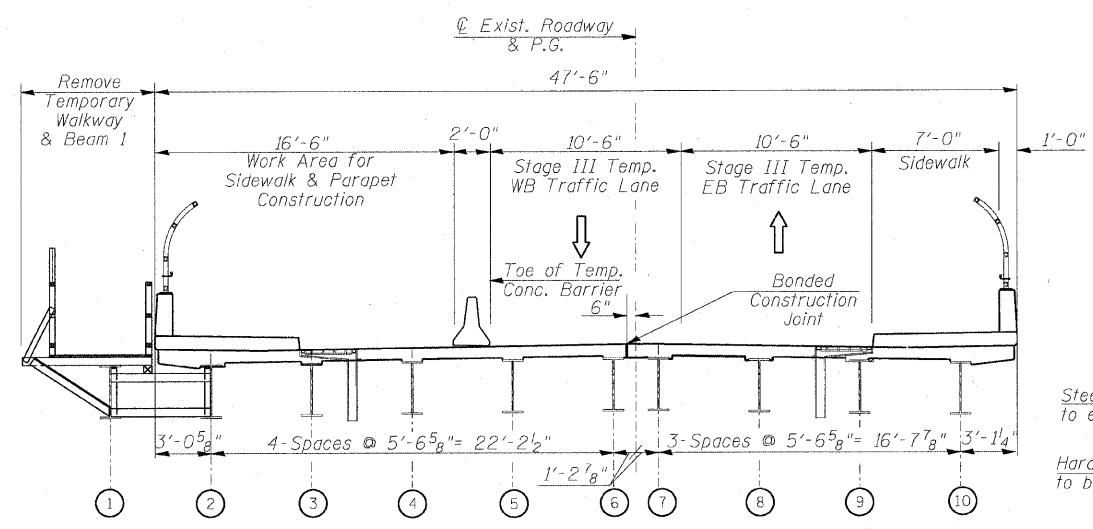
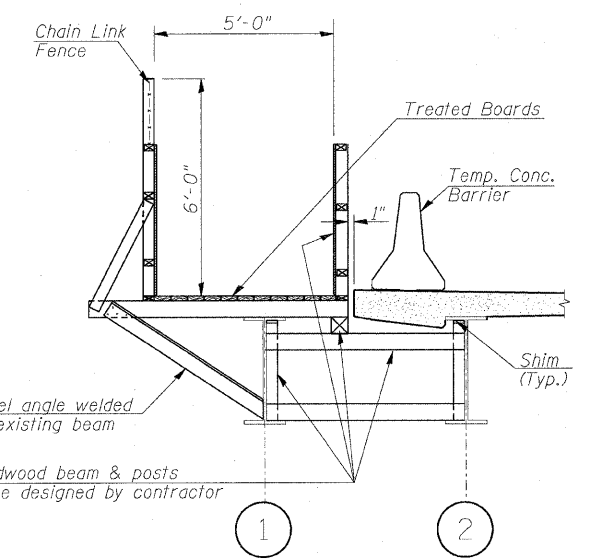


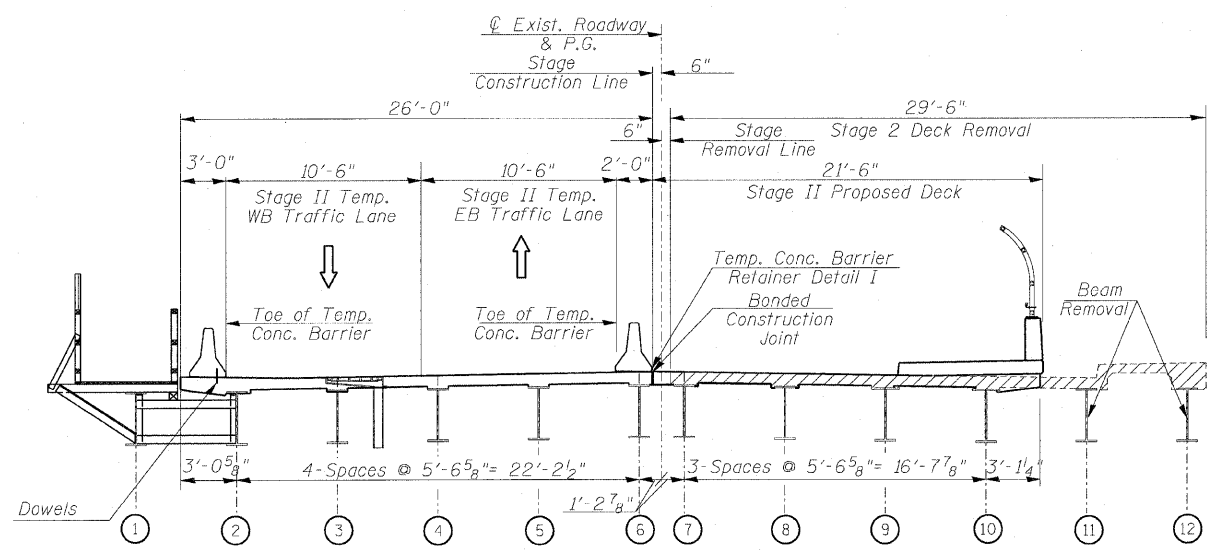
STAGE I CONSTRUCTION
(Looking East)



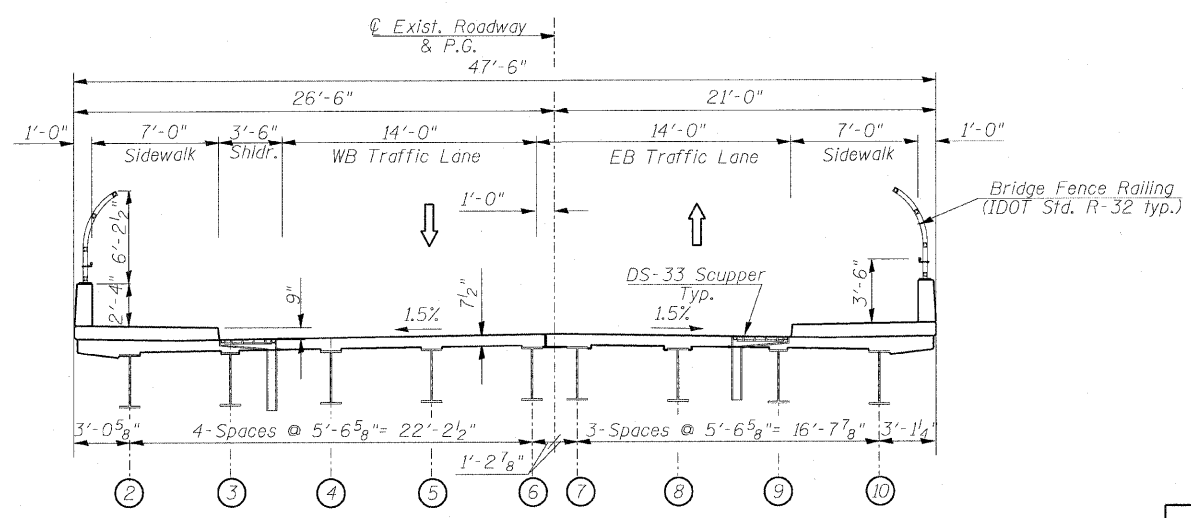
STAGE III CONSTRUCTION
(Looking East)



TEMPORARY WALKWAY DETAIL
Existing diaphragms between steel beams 1 & 2 to remain until removal of temporary walkway.



STAGE II CONSTRUCTION
(Looking East)



PROPOSED CROSS SECTION
(Looking East)

BILL OF MATERIAL

Item	Unit	Total
Temporary Walkway	L Sum	0.5

Note:
For quantity of Temporary Concrete Barrier, see roadway plans.

REVISIONS	
NAME	DATE

ILLINOIS DEPARTMENT OF TRANSPORTATION
STAGE CONSTRUCTION
31 ST. STREET OVER M.J. & C.W.I.R.R.
F.A.U. ROUTE 1463 SECTION 159-1010.1B
COOK COUNTY
STATION 217+09.66
STR. NO. 016-0871
SCALE: VERT. DRAWN BY JHR
 HORIZ. CHECKED BY CLS
DATE JANUARY 2008