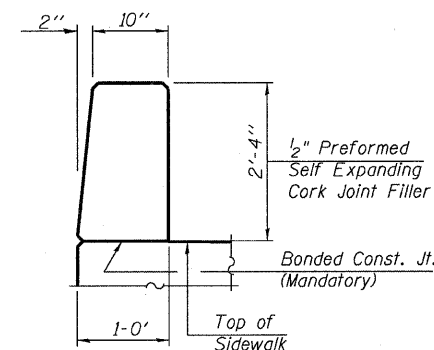


**INSIDE ELEVATION OF NORTH PARAPET**

(South Parapet Opposite Hand)

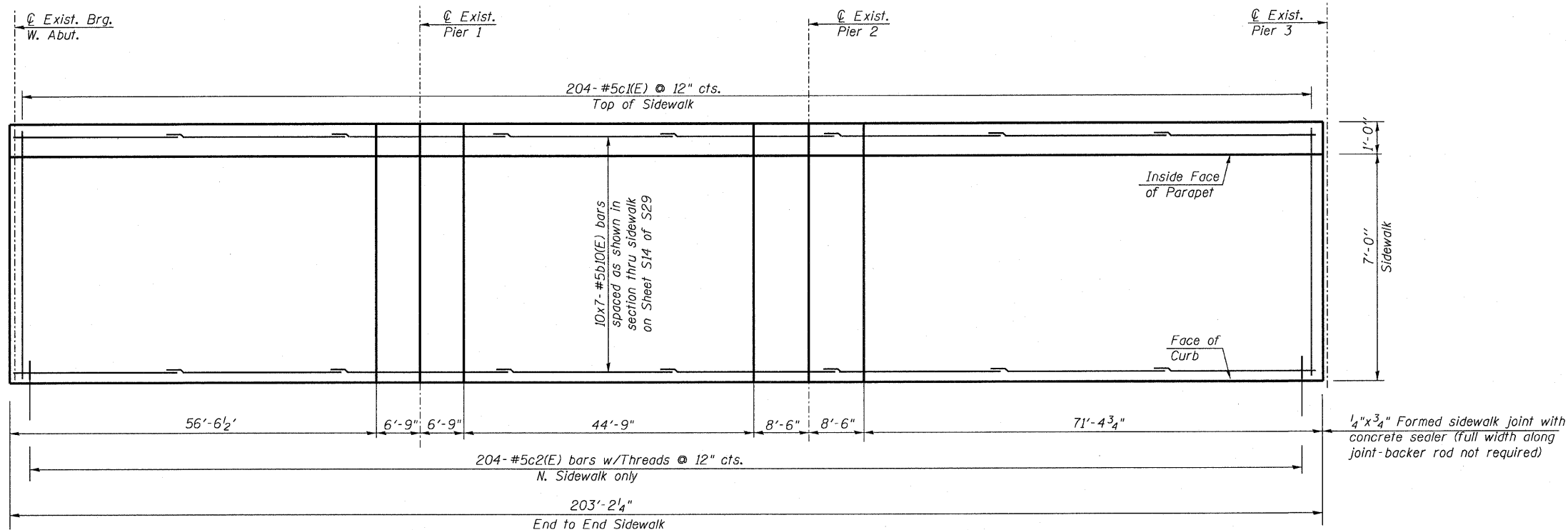
- Set A (3 locations)  
 3- #4e10(E) @ E.F.  
 Set B (2 locations)  
 3- #4e11(E) @ E.F.  
 Set C (3 locations)  
 3- #4e12(E) @ E.F.  
 Set D (2 locations)  
 3- #4e13(E) @ E.F.  
 Set E (4 locations)  
 3- #4e14(E) @ E.F.



**PARAPET JOINT DETAILS**

**TYP. LAP SPLICE**

Bar	Lap
#5	2'-2"



**NORTH SIDEWALK PLAN**

(South Sidewalk Opposite Hand)

- Notes:
1. Work this sheet with Sheets S10 thru S14.
  2. See Sheet S15 for expansion joint details.
  3. See Sheet S16 for drainage scupper details.
  4. See Sheet S17 for bridge fence railing details.
  5. Bar indicated thus 20x3-#5, etc. indicates 20 lines of bars with 3 lengths per line.
  6. Cut longitudinal reinforcement to clear scuppers.

REVISIONS	
NAME	DATE

ILLINOIS DEPARTMENT OF TRANSPORTATION  
 PARAPET & SIDEWALK DETAILS  
 31 ST. STREET OVER M.J. & C.W.I.R.R.  
 F.A.U. ROUTE 1463 SECTION 159-1010.1B  
 COOK COUNTY  
 STATION 217+09.66  
 STR. NO. 016-0871  
 SCALE: VERT. \_\_\_\_\_ DRAWN BY JHR  
 HORIZ. \_\_\_\_\_ DATE JANUARY 2008 CHECKED BY CLS