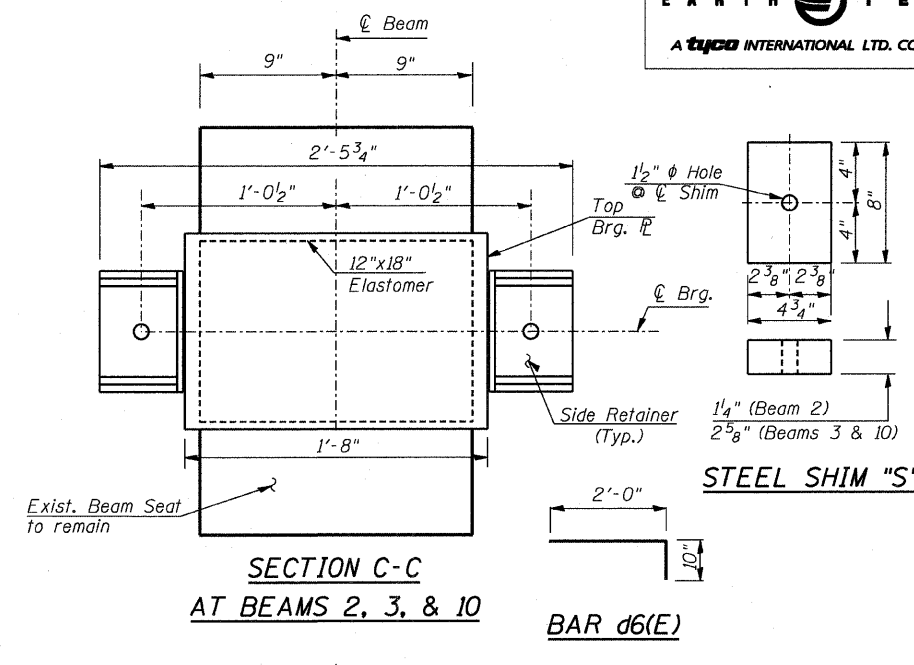
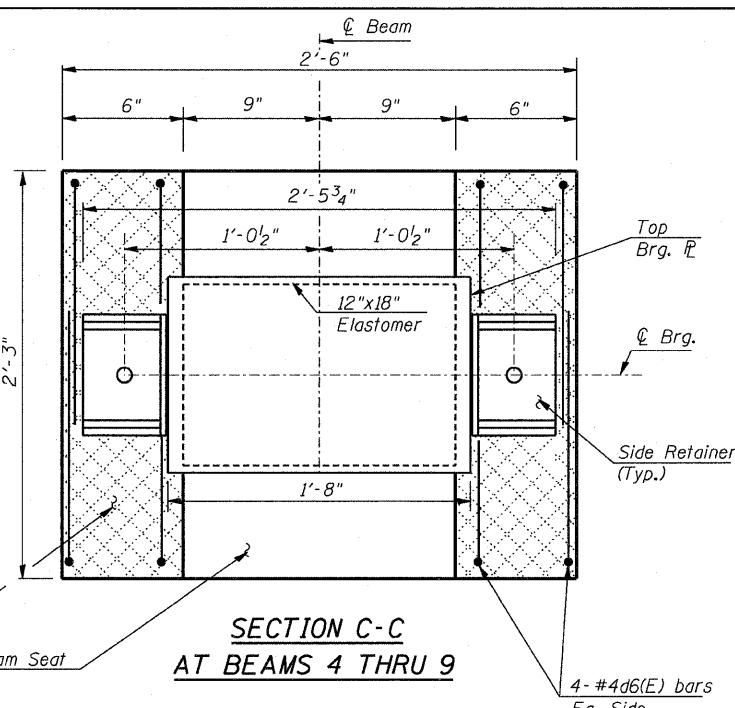
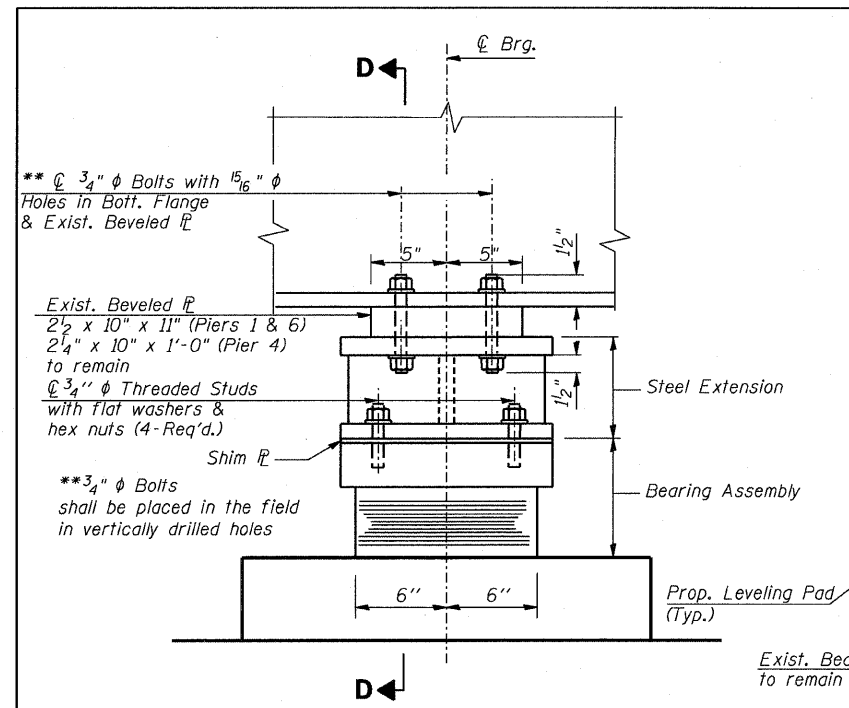


CONTRACT NO. 62196
522 of 530

BILL OF MATERIAL

Bar	No.	Size	Length	Shape
d6(E)	144	#4	2'-10"	
Concrete Structures			Cu. Yd.	1.8
Reinforcement Bars, Epoxy Coated			Pound	270
Elastomeric Bearing Assembly, Type I			Each	27
Furnishing and Erecting Structural Steel			Pound	6,780
Anchor Bolts, 1/4"			Each	54

***Includes weight of 27 steel extensions, 6-1/4" steel shims, & 12-2 5/8" steel shims.



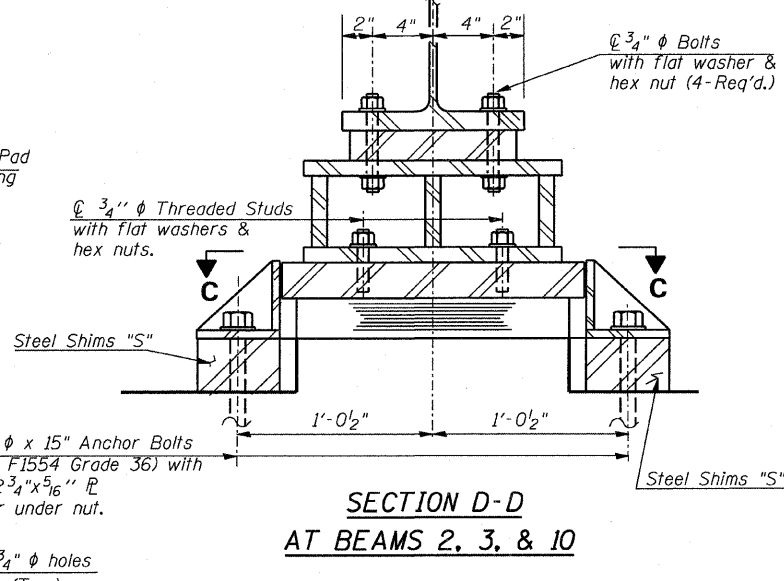
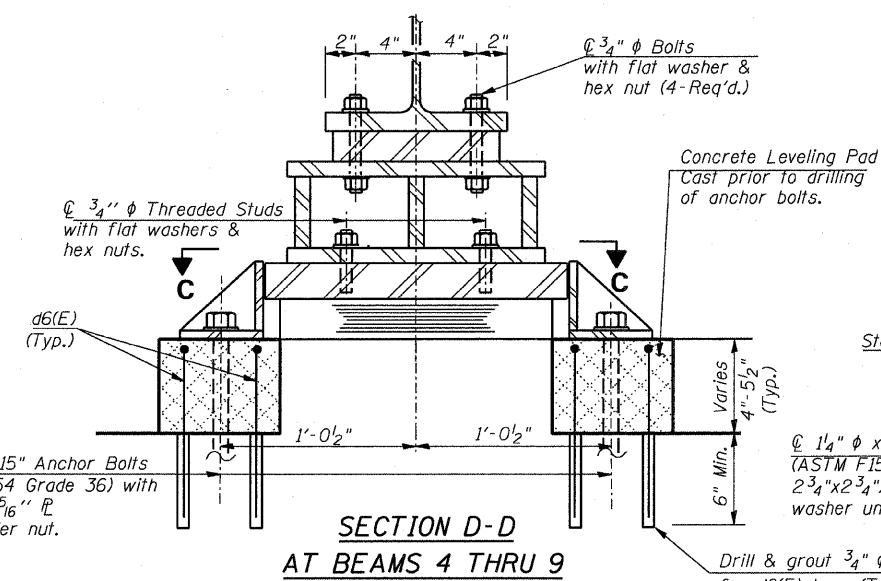
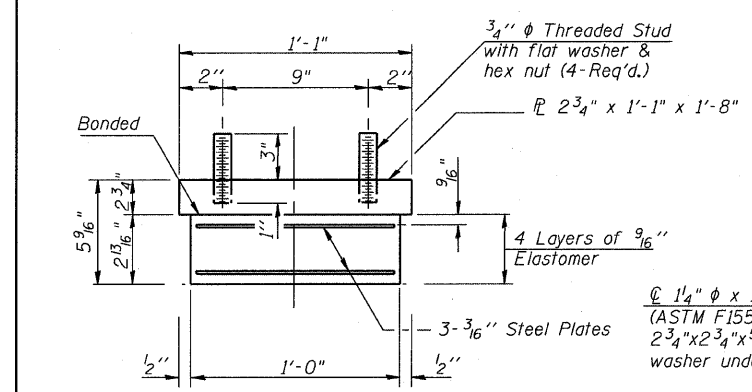
STEEL SHIM "S"

**ELEVATION AT PIERS 1, 4, & 6
TYPE I ELASTOMERIC EXP. BRG.**

**SECTION C-C
AT BEAMS 4 THRU 9**

**SECTION C-C
AT BEAMS 2, 3, & 10**

BAR d6(E)



Notes:

Anchor bolts shall be ASTM F1554 all-thread (or an Engineer-approved alternate material) of the grade(s) and diameter(s) specified. ASTM A307 Grade C anchor bolts may be used in lieu of ASTM F1554 Grade 36 (Fy=36ksi). The corresponding specified grade of AASHTO M314 anchor bolts may be used in lieu of ASTM F1554.

Anchor bolts for side retainers shall be installed in holes drilled after members are in place. Drilled and set anchor bolts shall be installed according to Article 521.06 of the Standard Specifications.

Side retainers and other steel members required for the bearing assembly shall be included in the cost of Elastomeric Bearing Assembly, Type I.

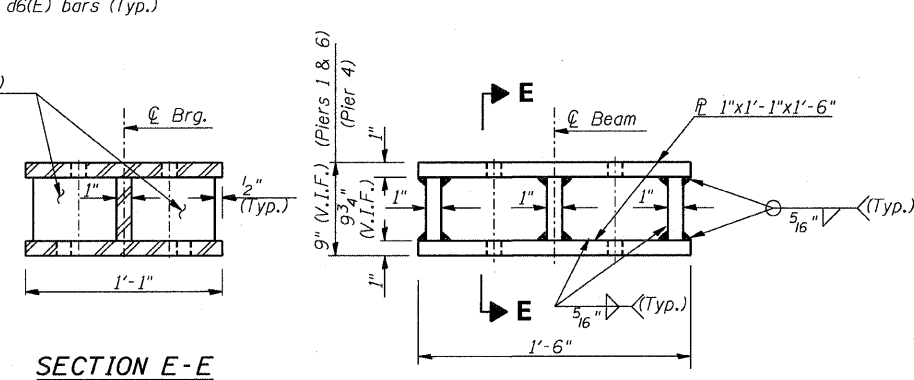
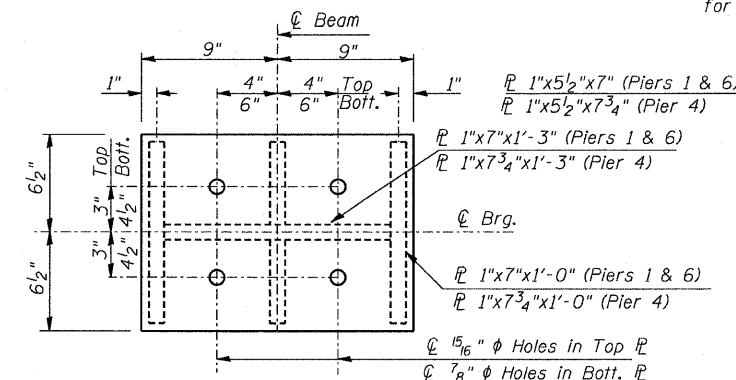
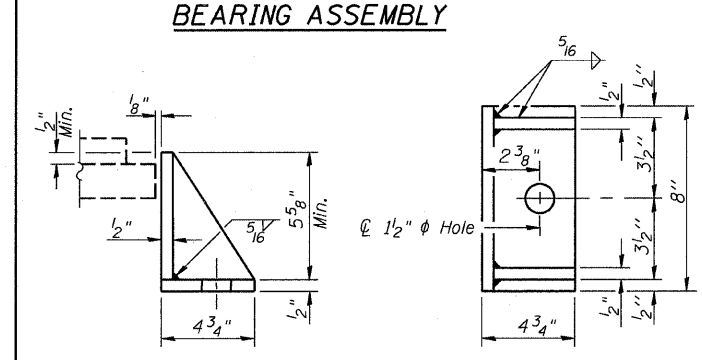
The structural steel plates of the Bearing Assembly shall conform to the requirements of AASHTO M 270 Grade 36.

Two 1/8" & two 1/4" adjusting shims shall be provided for each bearing in addition to all other plates or shims and placed as shown on bearing details.

All side retainers, anchor bolts, nuts, washers and pintles shall be galvanized according to AASHTO M111 or M232 (as applicable).

H.S. bolts in bearing assembly shall be galvanized according to AASHTO M298 Class 50.

Prior to ordering any material, the Contractor shall verify in the field all bearing heights and shim thickness dimensions.



ELEVATION STEEL EXTENSION
V.I.F.=Verify in Field

REVISIONS	
NAME	DATE

ILLINOIS DEPARTMENT OF TRANSPORTATION
ELASTOMERIC BEARING ASSEMBLY
31 ST. STREET OVER M.J. & C.W.I.R.R.
F.A.U. ROUTE 1463 SECTION 159-1010.1B
COOK COUNTY
STATION 217+09.66
STR. NO. 016-0871
SCALE: VERT. HORIZ. DRAWN BY JHR
DATE APRIL 2008 CHECKED BY CLS