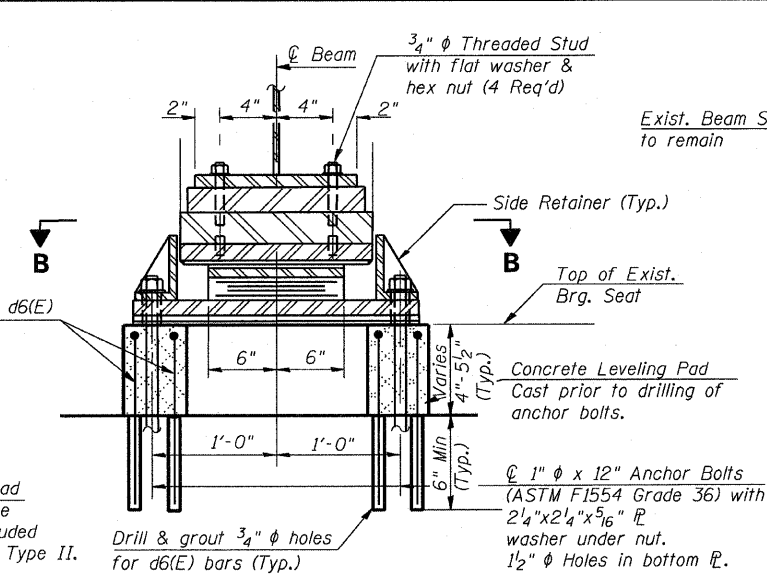
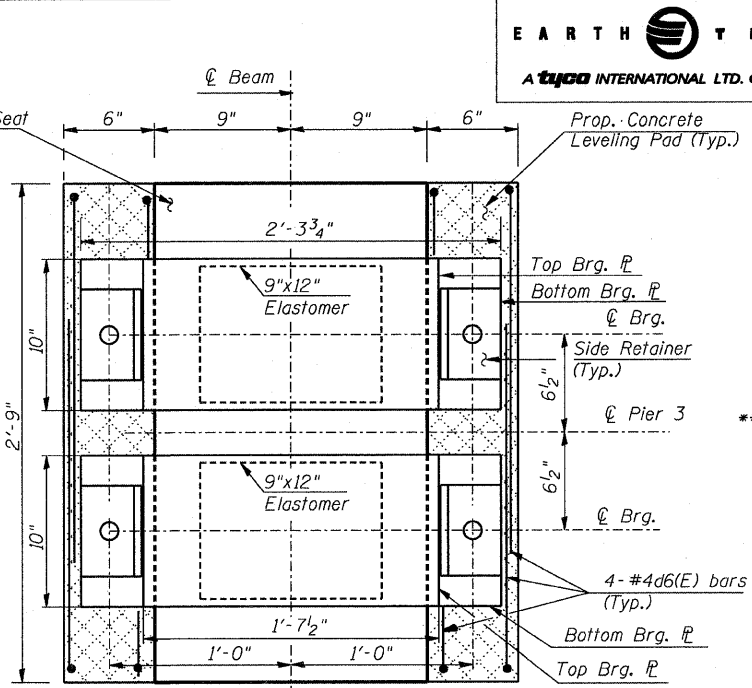


**ELEVATION AT PIER 3
TYPE II ELASTOMERIC EXP. BRG.**

*** 3/4\"/>



**SECTION A-A
AT BEAMS 4 THRU 9**



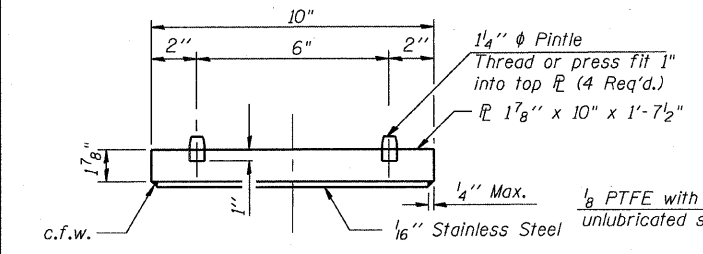
**SECTION B-B
AT BEAMS 4 THRU 9**

BILL OF MATERIAL

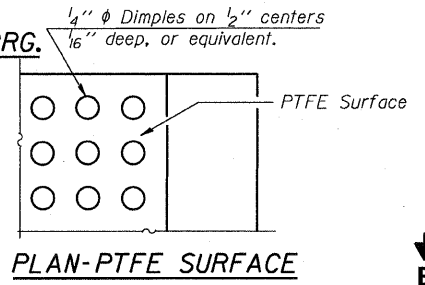
Bar	No.	Size	Length	Shape
d6(E)	144	#4	2'-10"	
Concrete Structures			Cu. Yd.	0.7
Reinforcement Bars, Epoxy Coated			Pound	270
Elastomeric Bearing Assembly, Type II			Each	18
*** Furnishing and Erecting Structural Steel			Pound	4,350
Anchor Bolts, 1"			Each	36

*** Includes weight of 18 steel extensions, 4-1/2" steel shims, & 8-2 5/8" steel shims.

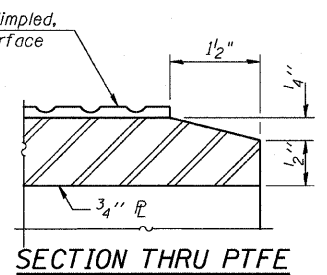
BAR d6(E)



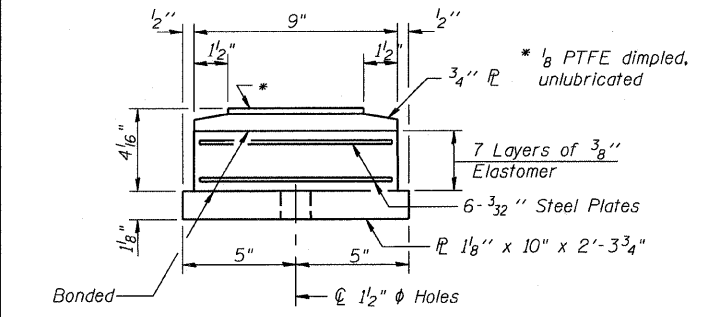
TOP BEARING ASSEMBLY



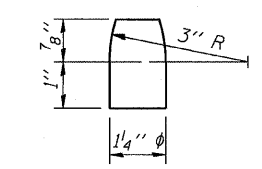
PLAN-PTFE SURFACE



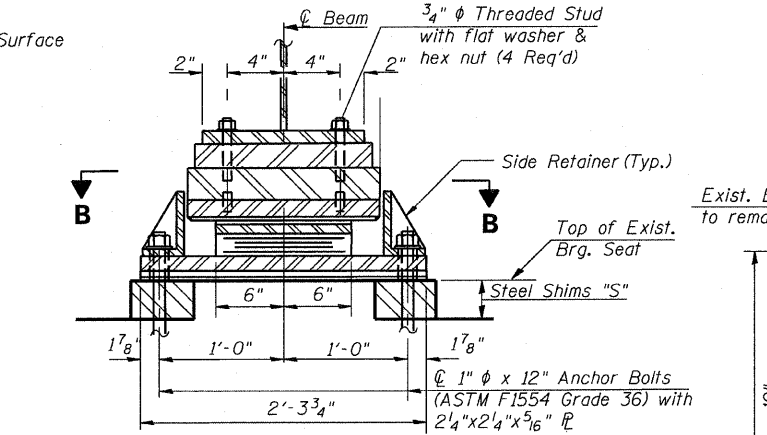
SECTION THRU PTFE



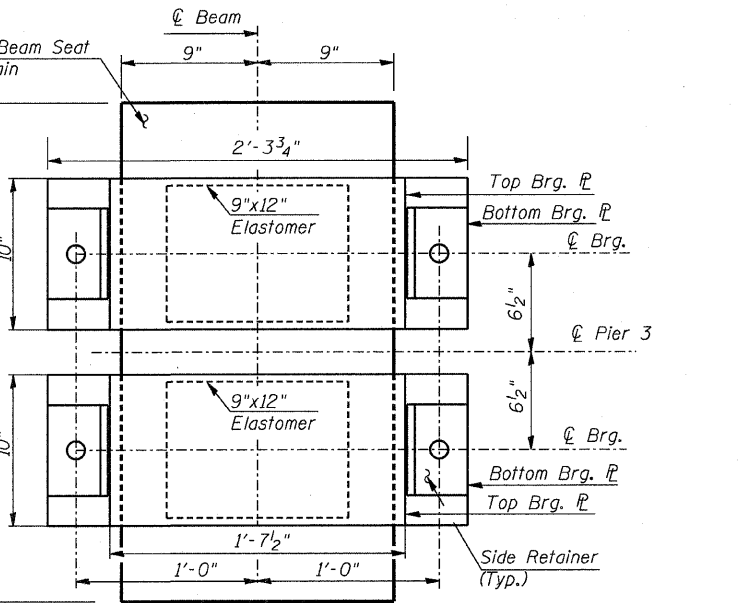
BOTTOM BEARING ASSEMBLY



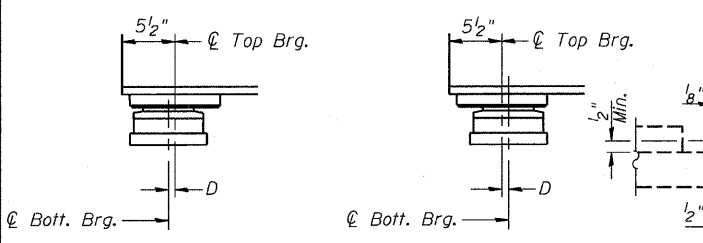
PINTLE



**SECTION A-A
AT BEAMS 2, 3, & 10**



**SECTION B-B
AT BEAMS 2, 3, & 10**

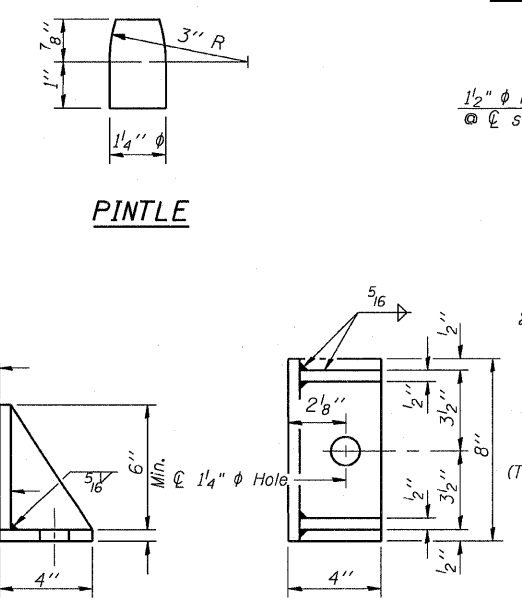


SETTING ANCHOR BOLTS AT EXP. BRG.

BELOW 50°F.
(Move bott. brg. away from fixed brg.)

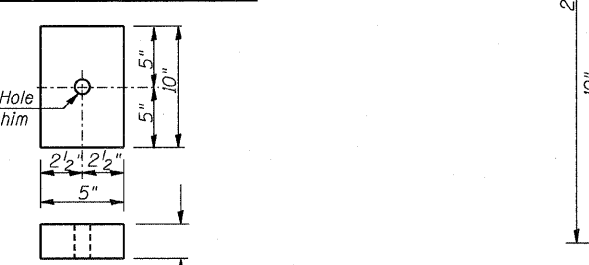
ABOVE 50°F.
(Move bott. brg. toward fixed brg.)

D = 1/8" per each 100' of expansion for every 15° temp. change from the normal temp. of 50°F.

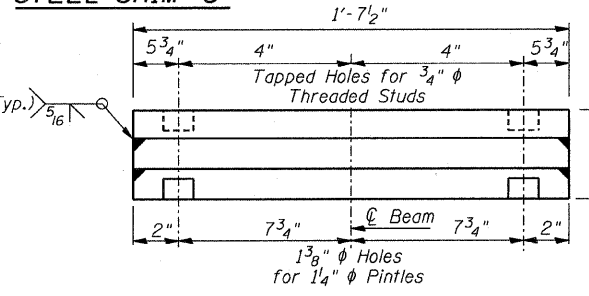


SIDE RETAINER

Equivalent rolled angle with stiffeners will be allowed in lieu of welded plates.

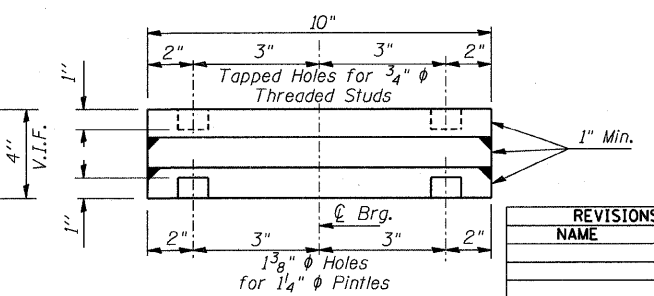


STEEL SHIM "S"



END VIEW STEEL EXTENSION

V.I.F. = Verify in Field



ELEVATION STEEL EXTENSION

For notes, see Sheet S21.

REVISIONS

NAME	DATE

ILLINOIS DEPARTMENT OF TRANSPORTATION
ELASTOMERIC BEARING ASSEMBLY
31 ST. STREET OVER M.J. & C.W.I.R.R.
F.A.U. ROUTE 1463 SECTION 159-1010.1B
COOK COUNTY
STATION 217+09.66
STR. NO. 016-0871

SCALE: VERT. HORIZ. DATE: APRIL 2008

DRAWN BY: JHR
CHECKED BY: CLS