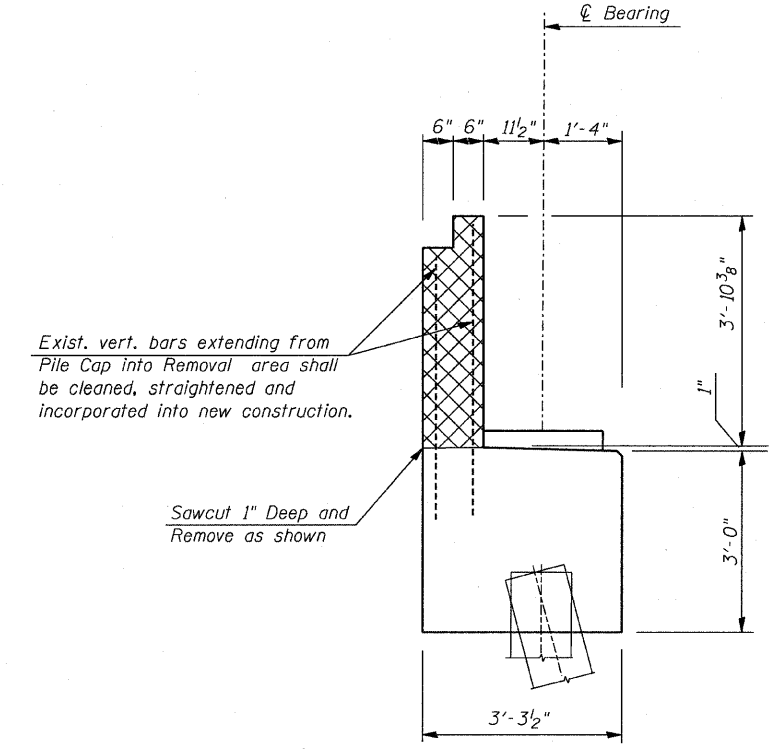
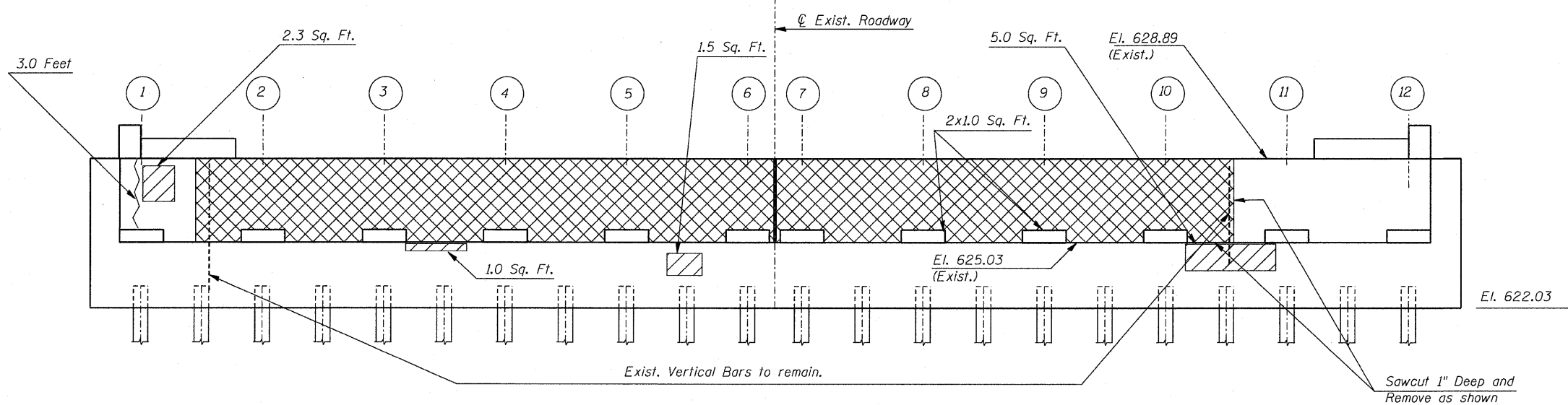


**EAST ABUTMENT PLAN**  
(Showing Repair & Removal)



**SECTION A-A**



**EAST ABUTMENT ELEVATION**  
(Showing Repair & Removal)

**BILL OF MATERIAL**

Item	Unit	Total
Epoxy Crack Injection	Foot	3.0
Structural Repair of Concrete (Depth equal to or less than 5")	Sq. Ft.	14.3
Concrete Removal	Cu. Yd.	6.4

**Note:**  
Quantities & locations are for information purposes only. It shall be the Contractor's responsibility to verify such dimensions & details in the field and make necessary approved adjustments prior to construction or ordering of materials. Such variations shall not be cause for additional compensation for a change in scope of the work, however, the Contractor will be paid for the quantity actually furnished at the unit price bid for the work.

**LEGEND**

- Epoxy Crack Injection
- Structural Repair of Concrete (Depth equal to or less than 5")
- Concrete Removal

REVISIONS	
NAME	DATE

ILLINOIS DEPARTMENT OF TRANSPORTATION  
**EAST ABUTMENT REPAIRS**  
31 ST. STREET OVER M.J. & C.W.I.R.R.  
F.A.U. ROUTE 1463 SECTION 159-1010.1B  
COOK COUNTY  
STATION 217+09.66  
STR. NO. 016-0871

SCALE: VERT.     DRAWN BY JHR  
          HORIZ.     DATE APRIL 2008     CHECKED BY CLS