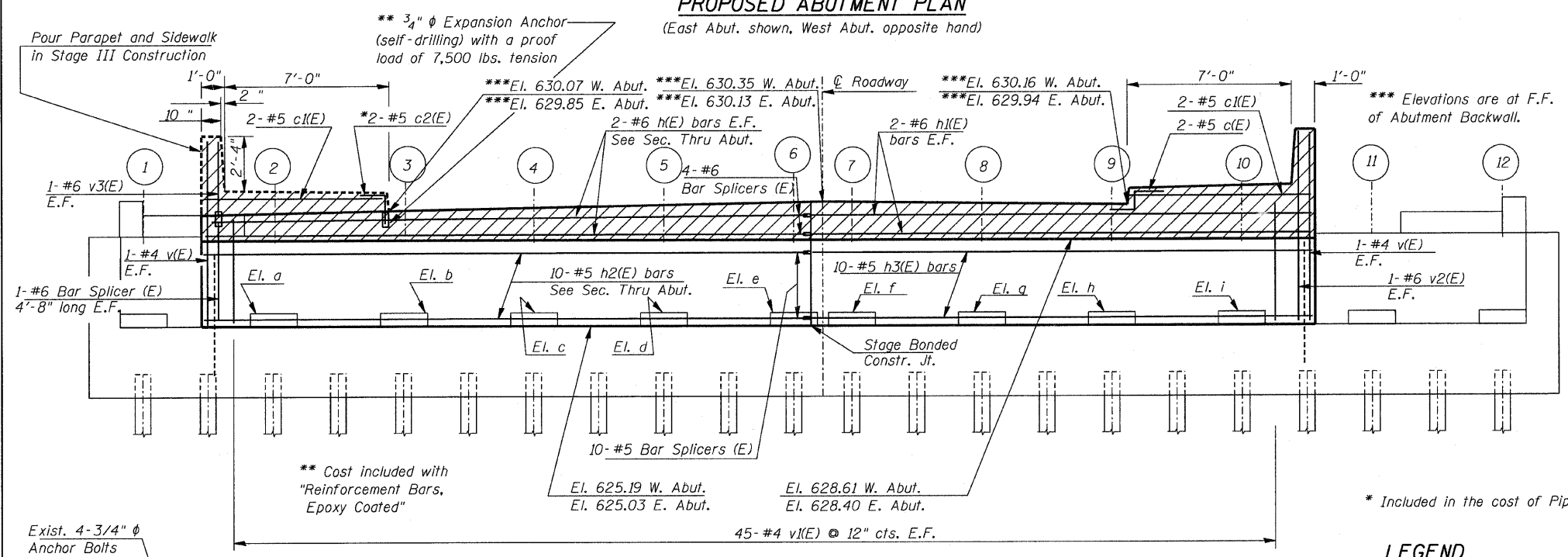


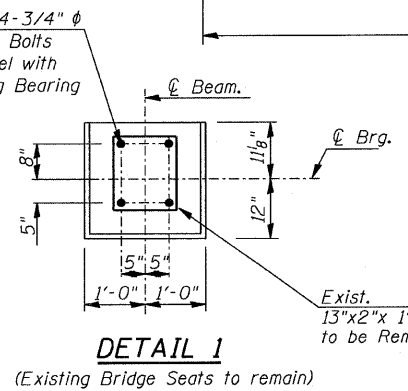
PROPOSED ABUTMENT PLAN
(East Abut. shown, West Abut. opposite hand)



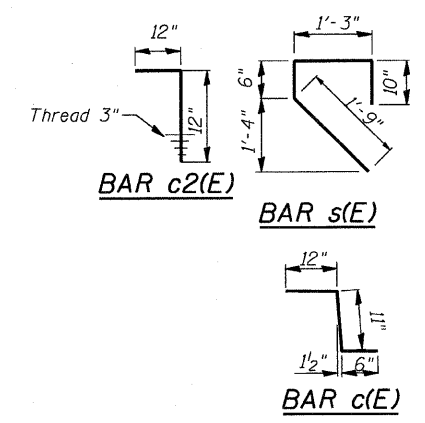
PROPOSED ABUTMENT ELEVATION
(East Abut. shown, West Abut. opposite hand)

Location	El. a (At Beam 2)	El. b (At Beam 3)	El. c (At Beam 4)	El. d (At Beam 5)	El. e (At Beam 6)	El. f (At Beam 7)	El. g (At Beam 8)	El. h (At Beam 9)	El. i (At Beam 10)
W. Abut.	625.29	625.41	625.52	625.61	625.65	625.65	625.61	625.52	625.41
E. Abut.	625.13	625.25	625.36	625.45	625.49	625.49	625.45	625.36	625.25

EXIST. BRG. SEAT ELEVATIONS



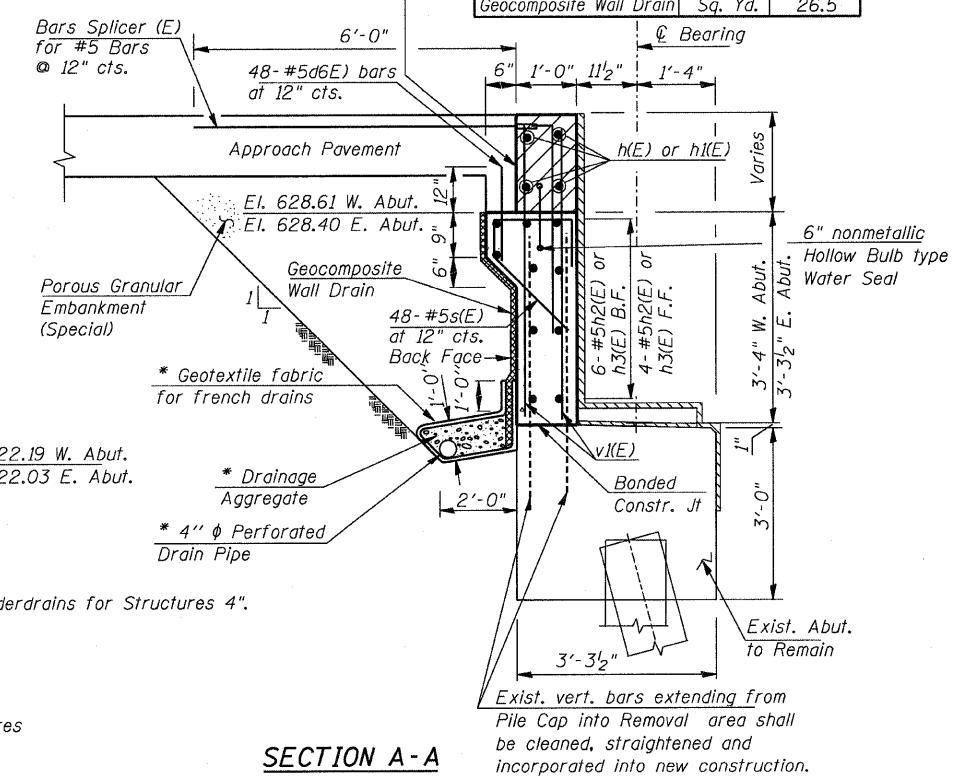
DETAIL 1
(Existing Bridge Seats to remain)



BILL OF MATERIAL
(For two Abutments)

Bar	No.	Size	Length	Shape
c (E)	4	#5	2'-5"	
c1(E)	8	#5	7'-9"	
c2(E)	4	#5	2'-0"	
d6(E)	96	#5	1'-6"	
h(E)	8	#6	25'-9"	
h1(E)	8	#6	21'-3"	
h2(E)	20	#5	25'-9"	
h3(E)	20	#5	21'-3"	
s(E)	96	#5	4'-4"	
v(E)	8	#4	7'-9"	
v1(E)	180	#4	4'-8"	
v2(E)	4	#6	7'-9"	
v3(E)	4	#6	3'-2"	
Concrete Structures		Cu. Yd.	13.4	
Reinforcement Bars, Epoxy Coated		Pound	2930	
Structure Excavation		Cu. Yd.	84.3	
Porous Granular Embankment (Special)		Cu. Yd.	84.3	
Concrete Sealer		Sq. Ft.	777	
Pipe Underdrains for Structures 4"		Ft.	120	
Geocomposite Wall Drain		Sq. Yd.	26.5	

Hatched area to be poured after superstructure falsework has been removed. Quantity of concrete included with Concrete Superstructure.



SECTION A-A

LEGEND

- Concrete Structures
- Concrete Sealer
- Geocomposite Wall Drain

- Notes:
- 4" φ Perforated pipe drain shall extend through existing wingwalls and discharge to the slope wall.
 - Costs of coring holes through slopewalls and providing rodent shields at both ends is included in price of pay item.

REVISIONS	
NAME	DATE

ILLINOIS DEPARTMENT OF TRANSPORTATION
PROPOSED ABUTMENT DETAILS
31 ST. STREET OVER M.J. & C.W.I.R.R.
F.A.U. ROUTE 1463 SECTION 159-1010.1B
COOK COUNTY
STATION 217+09.66
STR. NO. 016-0871

SCALE: VERT. HORIZ. DATE APRIL 2008

DRAWN BY JHR
CHECKED BY CLS