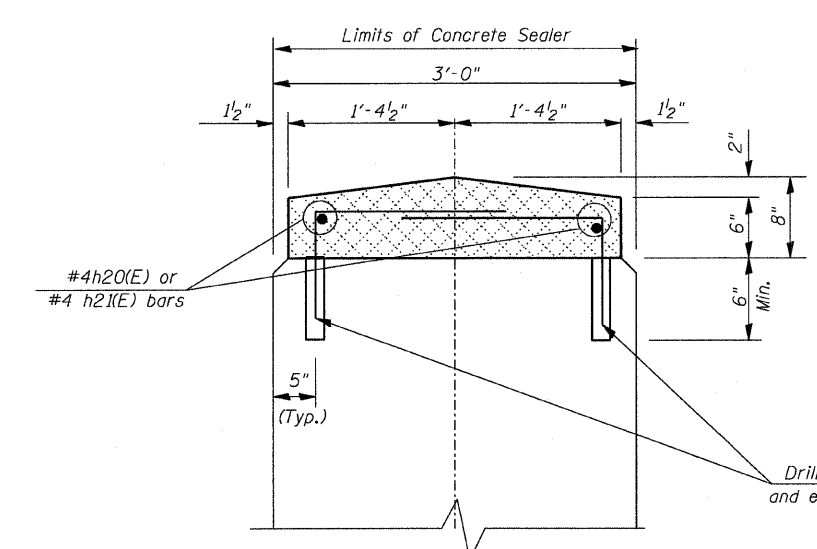
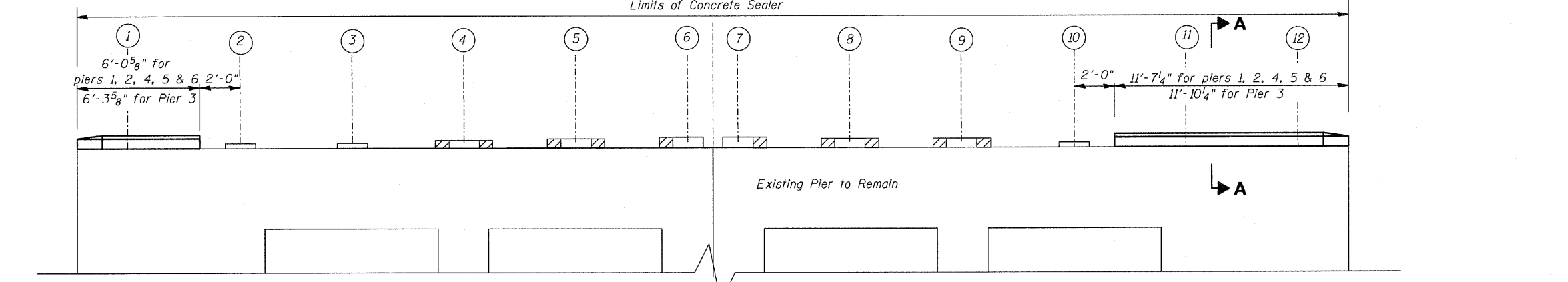
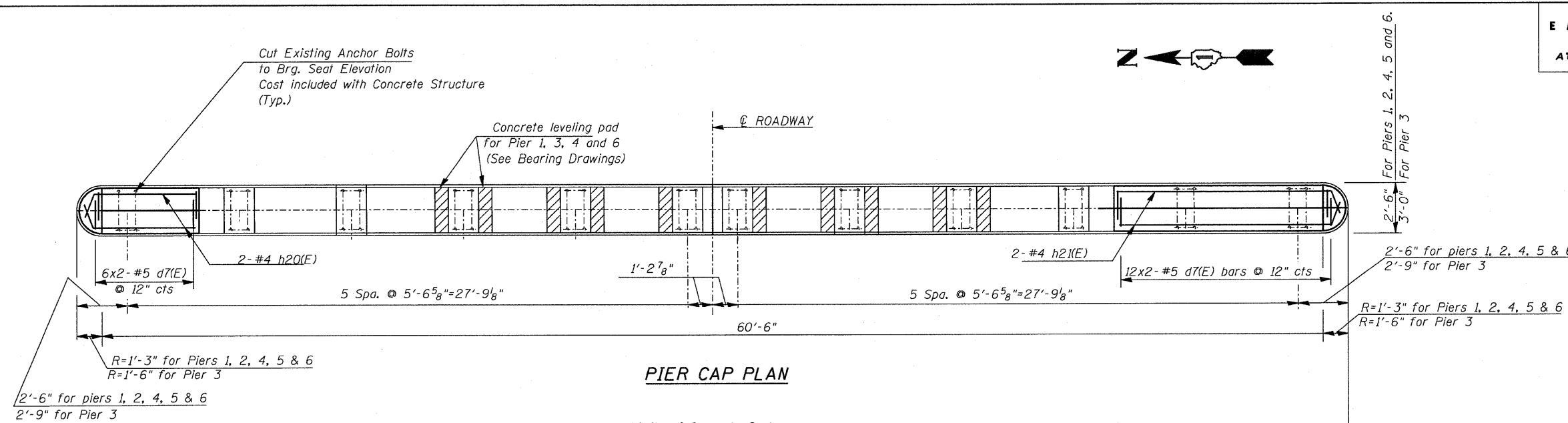


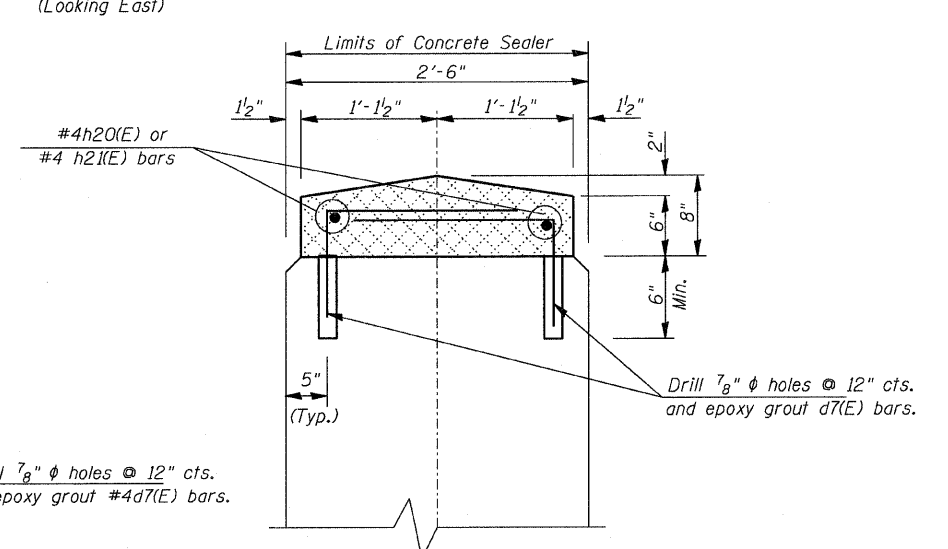
BILL OF MATERIAL
FOR PIERS 1 THRU 6.

Bar	No.	Size	Length	Shape
d7(E)	228	#4	2'-4"	┌
h20(E)	12	#4	6'-5"	┌
h21(E)	12	#4	11'-10"	┌
Concrete Structures		Cu. Yd.	5.4	
Reinforcement Bars, Epoxy Coated		Pound	500	
Concrete Sealer		Sq. Ft.	978	

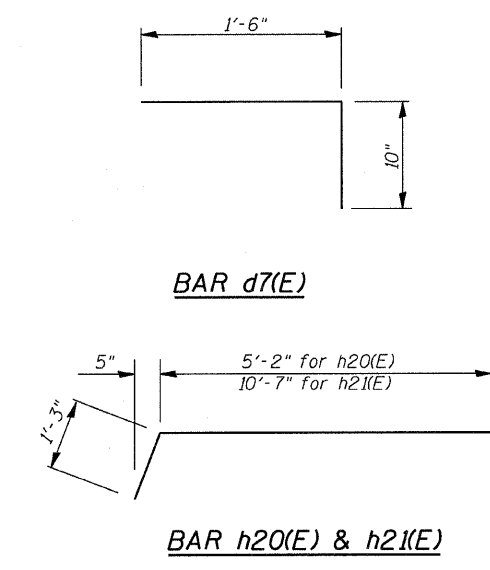
CONTRACT NO. 62196
S29 of S30



SECTION A-A FOR PIER 3



SECTION A-A FOR PIERS 1, 2, 4, 5 & 6.



REVISIONS	
NAME	DATE

ILLINOIS DEPARTMENT OF TRANSPORTATION
PROPOSED PIER DETAILS
31 ST. STREET OVER M.J. & C.W.I.R.R.
F.A.U. ROUTE 1463 SECTION 159-1010.1B
COOK COUNTY
STATION 217+09.66
STR. NO. 016-0871
SCALE: VERT. DATE APRIL 2008
DRAWN BY JHR
CHECKED BY CLS