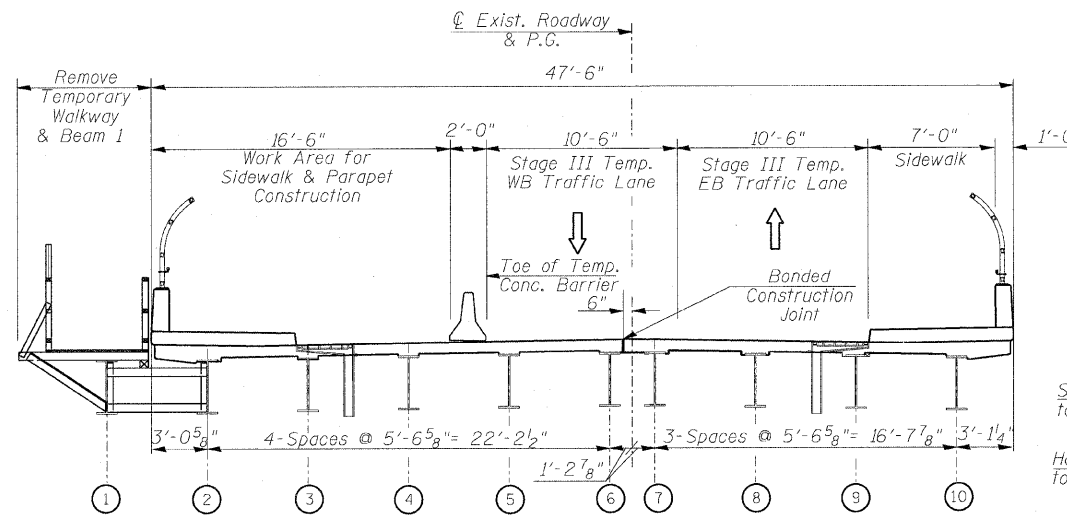
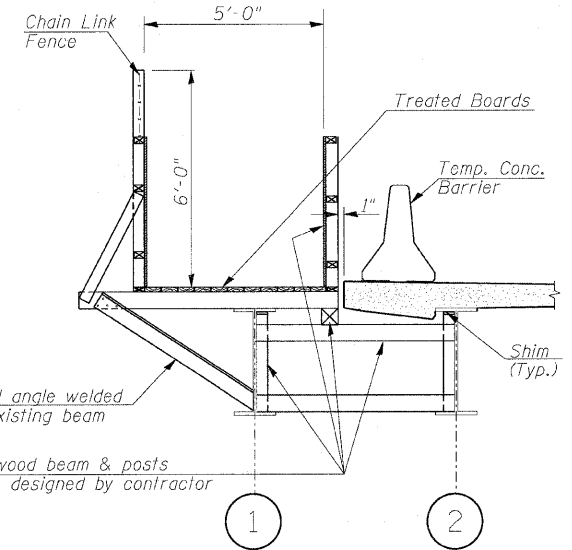


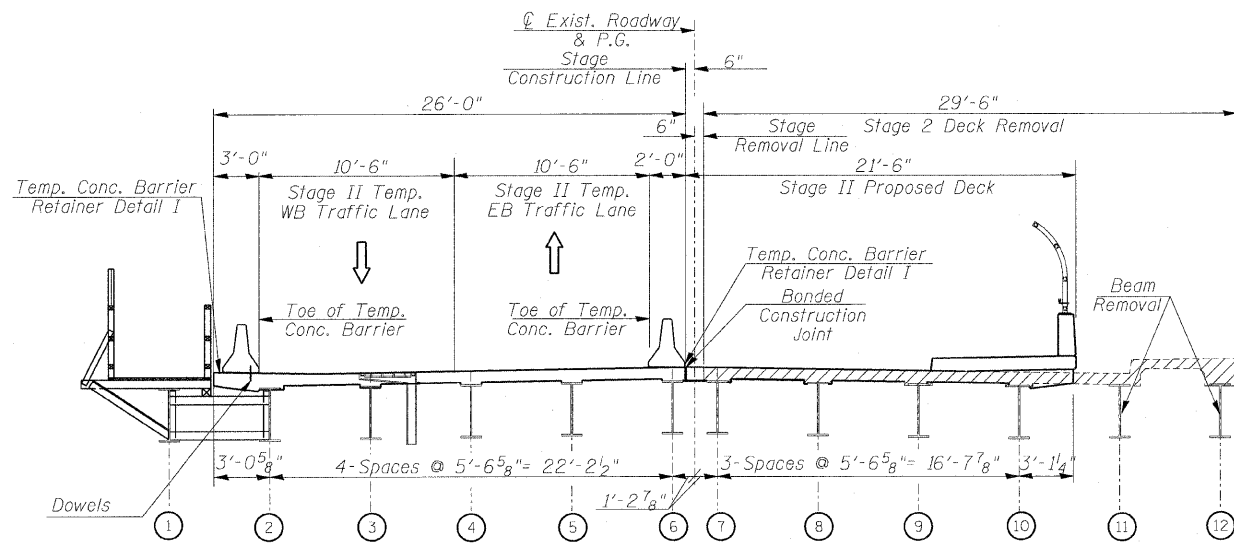
STAGE I CONSTRUCTION
 (Looking East)



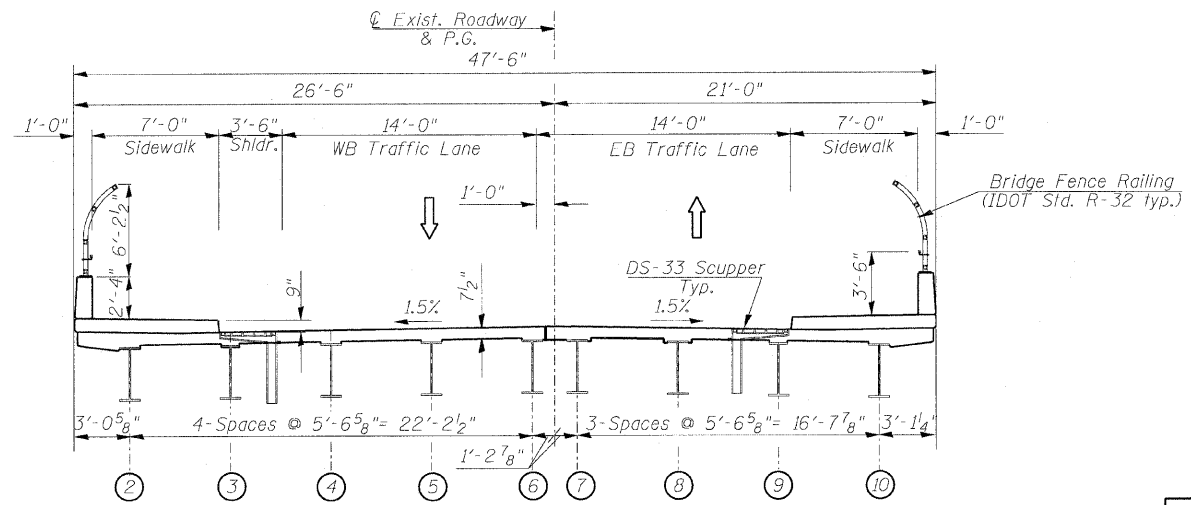
STAGE III CONSTRUCTION
 (Looking East)



TEMPORARY WALKWAY DETAIL
 Existing diaphragms between steel beams 1 & 2 to remain until removal of temporary walkway.



STAGE II CONSTRUCTION
 (Looking East)



PROPOSED CROSS SECTION
 (Looking East)

BILL OF MATERIAL

Item	Unit	Total
Temporary Walkway	L Sum	0.5

Note:
 For quantity of Temporary Concrete Barrier, see roadway plans.

REVISIONS	
NAME	DATE

ILLINOIS DEPARTMENT OF TRANSPORTATION
STAGE CONSTRUCTION
 31 ST. STREET OVER KILBOURN AVE.
 F.A.U. ROUTE 1463 SECTION 159-1010.1B
 COOK COUNTY
 STATION 223+67.45
 STR. NO. 016-0872
 SCALE: VERT. _____ DRAWN BY JHR
 HORIZ. _____ DATE JANUARY 2008 CHECKED BY CLS