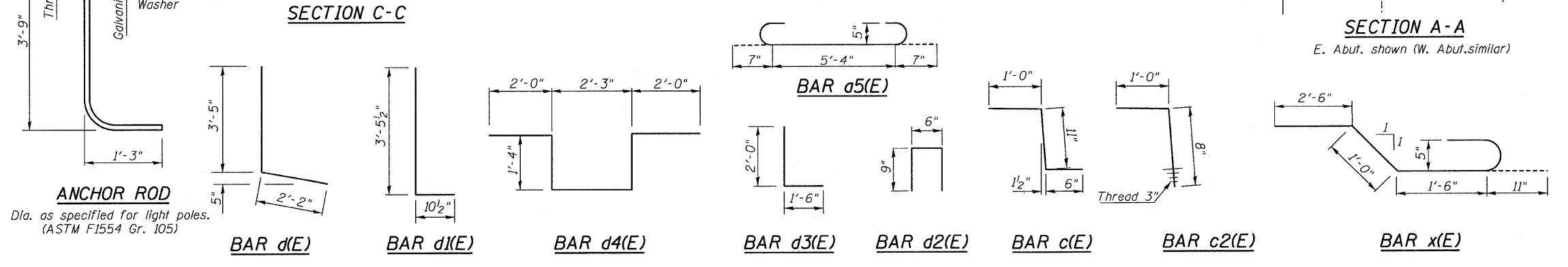
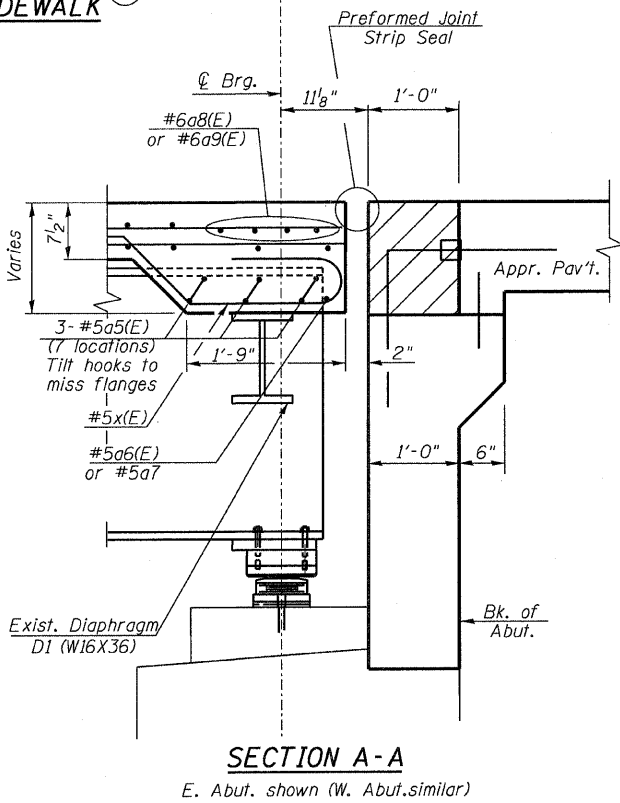
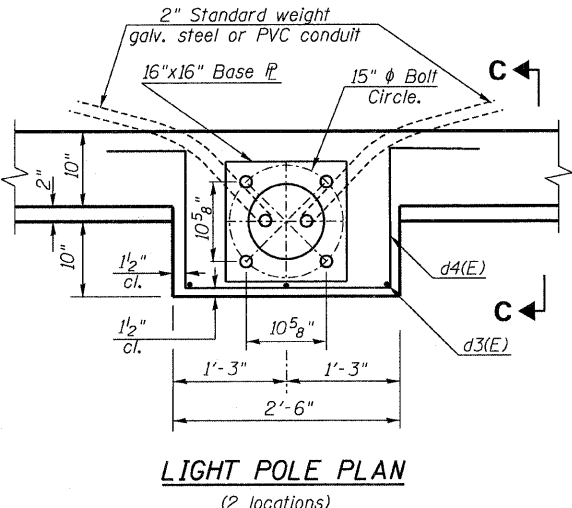
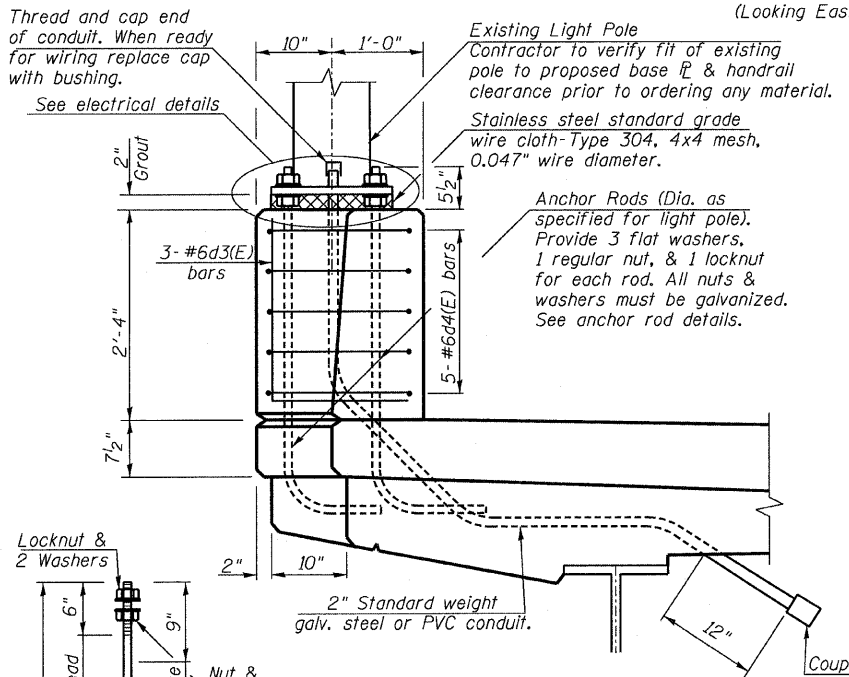
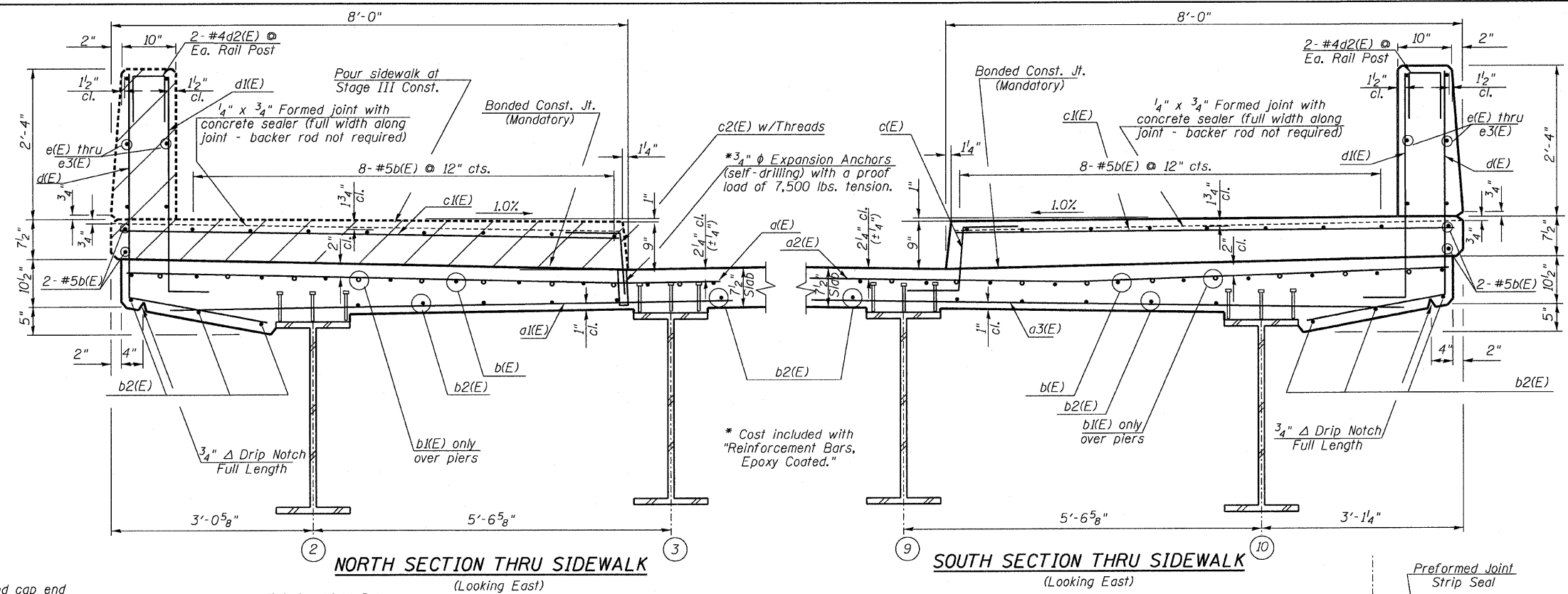


**SUPERSTRUCTURE  
BILL OF MATERIAL**

Bar	No.	Size	Length	Shape
d(E)	241	#5	25'-6"	—
a1(E)	209	#5	25'-2"	—
a2(E)	241	#5	21'-0"	—
a3(E)	209	#5	20'-8"	—
a4(E)	32	#5	2'-0"	—
a5(E)	42	#5	6'-6"	—
a6(E)	2	#5	22'-9"	—
a7(E)	2	#5	18'-3"	—
a8(E)	8	#6	25'-8"	—
a9(E)	8	#6	21'-2"	—
b(E)	408	#5	30'-9"	—
b1(E)	94	#6	36'-6"	—
b2(E)	301	#5	26'-8"	—
c(E)	174	#5	2'-5"	—
c1(E)	348	#5	7'-8"	—
c2(E)	174	#5	1'-8"	—
d(E)	348	#4	5'-7"	L
d1(E)	348	#6	4'-4"	L
d2(E)	76	#4	2'-0"	L
d3(E)	6	#6	3'-6"	L
d4(E)	10	#6	8'-11"	L
e(E)	72	#4	14'-9"	—
e1(E)	48	#4	7'-8"	—
e2(E)	36	#4	16'-4"	—
x(E)	74	#5	5'-11"	—
Concrete Superstructure		Cu. Yd.	326.7	
Reinforcement Bars, Epoxy Coated		Pound	58,460	
Bridge Deck Grooving		Sq. Yd.	568	
Protective Coat		Sq. Yd.	1,028	

\*\* Bar has a threaded end.

- Notes:
1. Work this sheet with Sheets S8 thru S11.
  2. See Sheet S12 for expansion joint details.
  3. See Sheet S13 for drainage scupper details.
  4. See Sheet S14 for bridge fence railing details.
  5. Bar indicated thus 20x3-#5, etc. indicates 20 lines of bars with 3 lengths per line.
  6. Cut longitudinal reinforcement to clear scuppers.



REVISIONS	
NAME	DATE