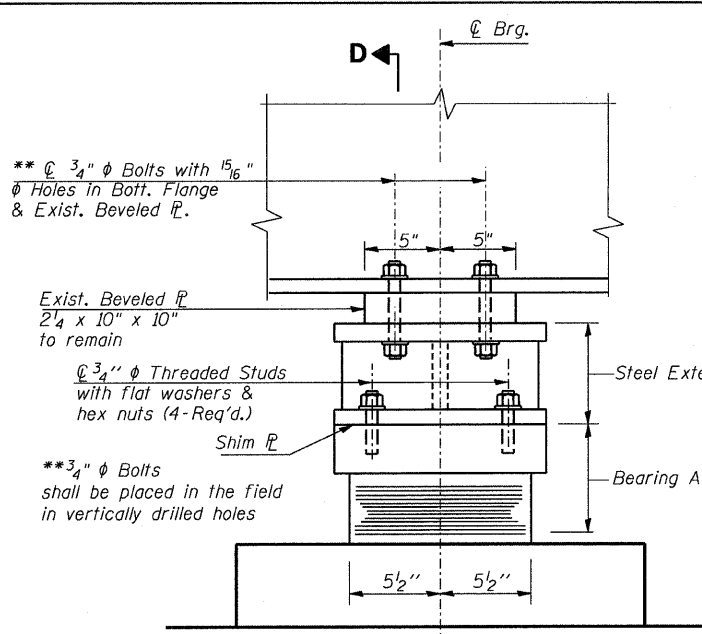
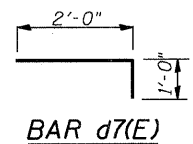


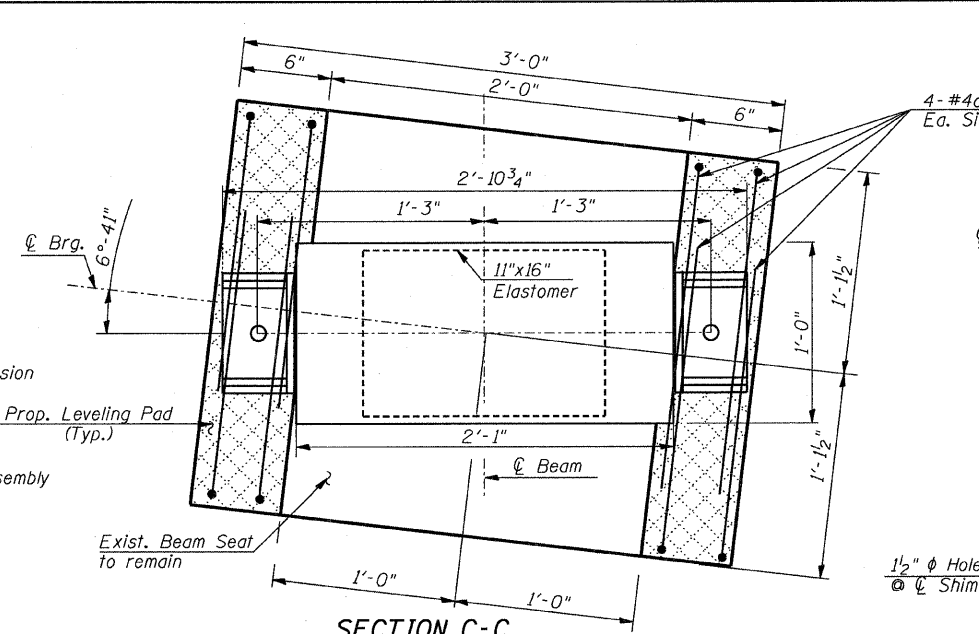
BILL OF MATERIAL

Bar	No.	Size	Length	Shape
d7(E)	56	#4	3'-0"	
Concrete Structures		Cu. Yd.	0.2	
Reinforcement Bars, Epoxy Coated		Pound	110	
Elastomeric Bearing Assembly, Type I		Each	9	
Furnishing and Erecting Structural Steel.		Pound	1,875	
Anchor Bolts 1 1/4"		Each	16	

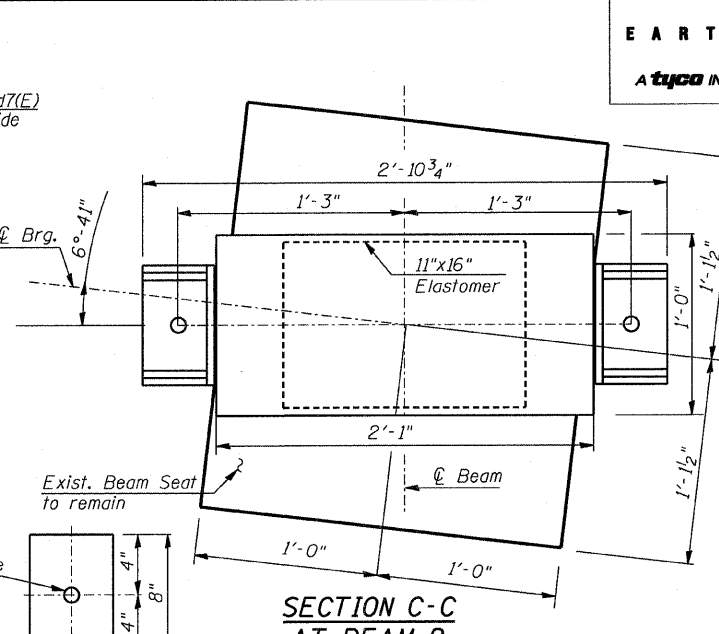
*** Includes weight of 9 steel extensions & 2-1/2" steel shims.



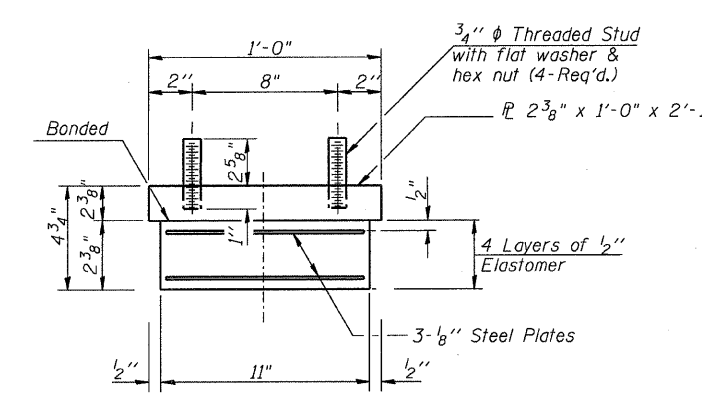
ELEVATION AT PIER 2
TYPE I ELASTOMERIC EXP. BRG.



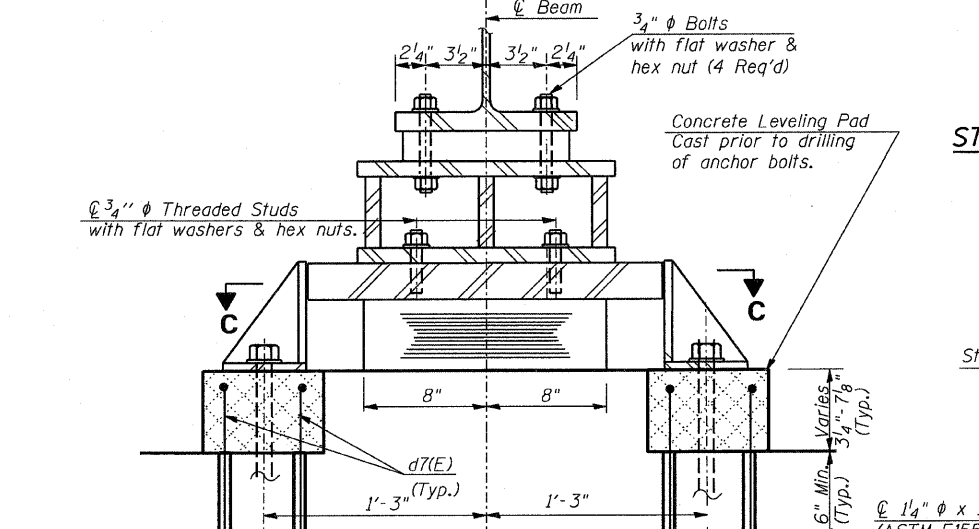
SECTION C-C
AT BEAMS 3 THRU 10



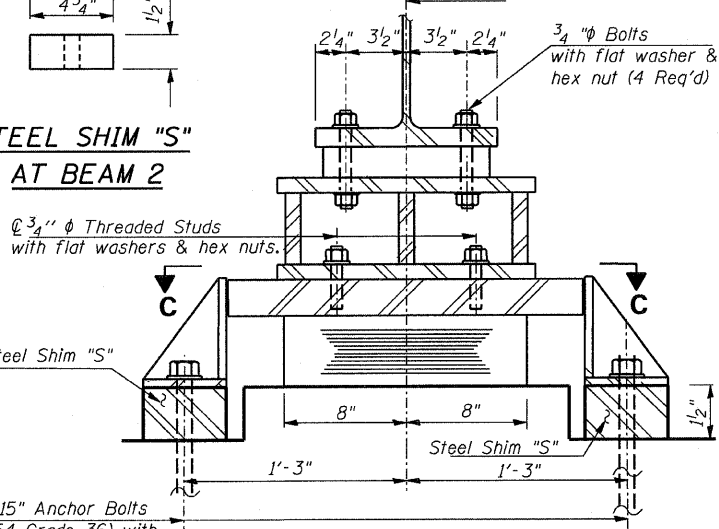
SECTION C-C
AT BEAM 2



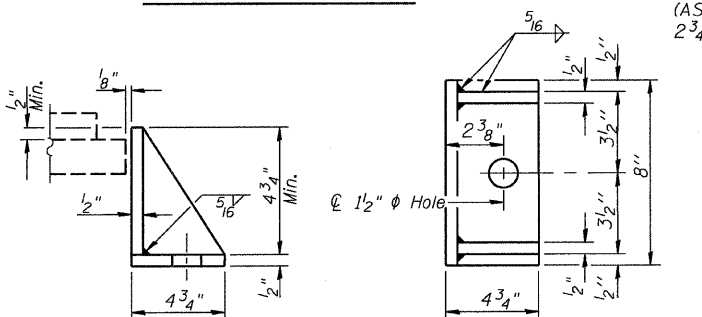
BEARING ASSEMBLY



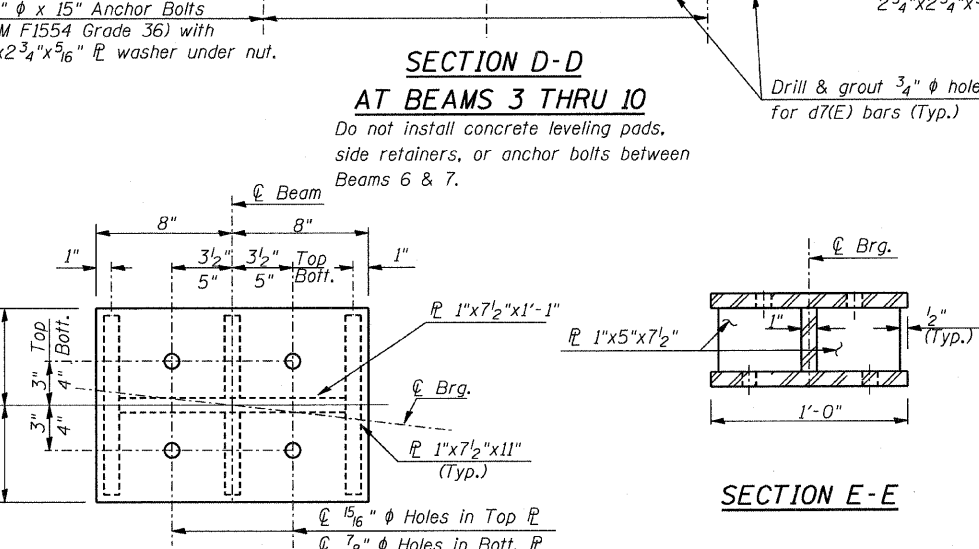
SECTION D-D
AT BEAMS 3 THRU 10



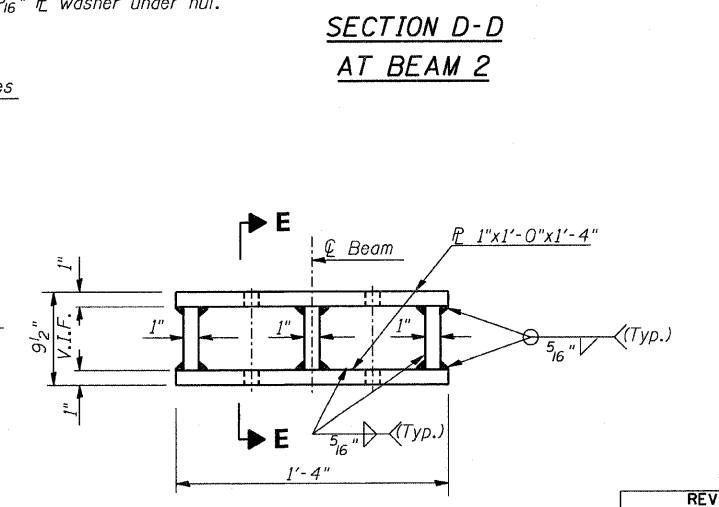
SECTION D-D
AT BEAM 2



SIDE RETAINER



PLAN STEEL EXTENSION



ELEVATION STEEL EXTENSION
V.I.F.=Verify in Field

Notes:
Anchor bolts shall be ASTM F1554 all-thread (or an Engineer-approved alternate material) of the grade(s) and diameter(s) specified. ASTM A307 Grade C anchor bolts may be used in lieu of ASTM F1554 Grade 36 (Fy=36ksi). The corresponding specified grade of AASHTO M314 anchor bolts may be used in lieu of ASTM F1554.
Anchor bolts for side retainers shall be installed in holes drilled after members are in place.
Drilled and set anchor bolts shall be installed according to Article 521.06 of the Standard Specifications.
Side retainers and other steel members required for the bearing assembly shall be included in the cost of Elastomeric Bearing Assembly, Type I.
The structural steel plates of the Bearing Assembly shall conform to the requirements of AASHTO M 270 Grade 36.
Two 1/8" & two 1/4" adjusting shims shall be provided for each bearing in addition to all other plates or shims and placed as shown on bearing details.
All side retainers, anchor bolts, nuts, washers and pintles shall be galvanized according to AASHTO M111 or M232 (as applicable).
H.S. bolts in bearing assembly shall be galvanized according to AASHTO M298 Class 50.
Prior to ordering any material, the Contractor shall verify in the field all bearing heights and shim thickness dimensions.

REVISIONS	
NAME	DATE

ILLINOIS DEPARTMENT OF TRANSPORTATION
ELASTOMERIC BEARING ASSEMBLY
31 ST. STREET OVER KILBOURN AVE.
F.A.U. ROUTE 1463 SECTION 159-1010.1B
COOK COUNTY
STATION 223+67.45
STR. NO. 016-0872
VERT. SCALE: HORIZ. DATE APRIL 2008
DRAWN BY JHR
CHECKED BY CLS