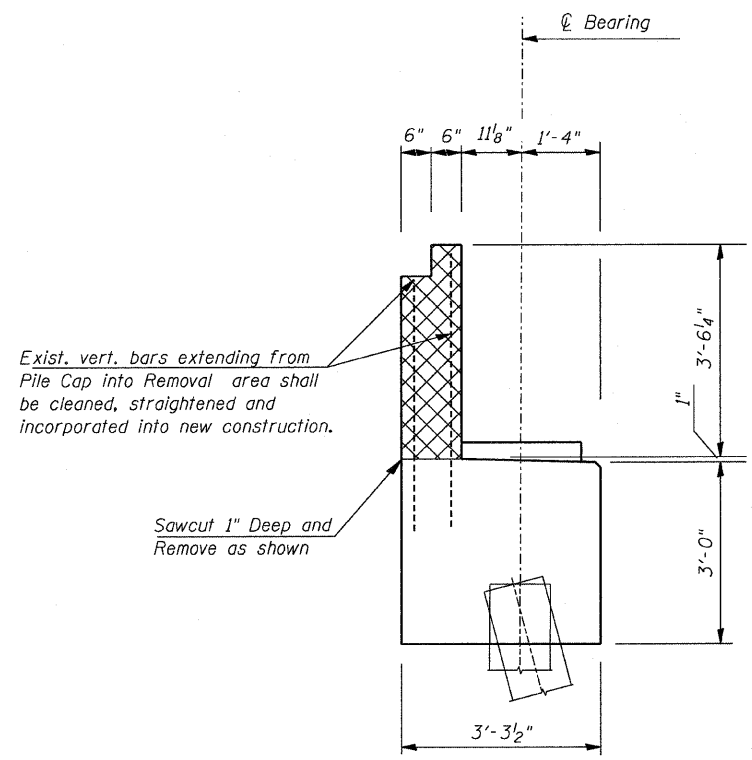
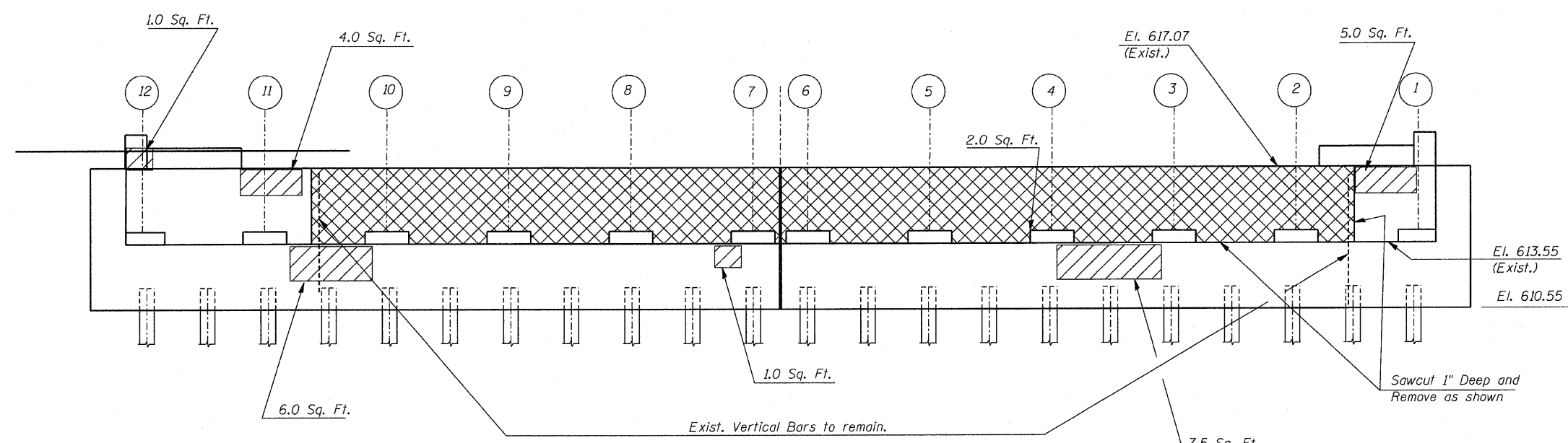


WEST ABUTMENT PLAN
(Showing Repair & Removal)



SECTION A-A



WEST ABUTMENT ELEVATION
(Showing Repair & Removal)

LEGEND

- Epoxy Crack Injection
- Structural Repair of Concrete (Depth equal to or less than 5")
- Concrete Removal

BILL OF MATERIAL

Item	Unit	Total
Epoxy Crack Injection	Foot	---
Structural Repair of Concrete (Depth equal to or less than 5")	Sq. Ft.	38.5
Concrete Removal	Cu. Yd.	5.8

Note:
Quantities & locations are for information purposes only. It shall be the Contractor's responsibility to verify such dimensions & details in the field and make necessary approved adjustments prior to construction or ordering of materials. Such variations shall not be cause for additional compensation for a change in scope of the work, however, the Contractor will be paid for the quantity actually furnished at the unit price bid for the work.

REVISIONS	
NAME	DATE

ILLINOIS DEPARTMENT OF TRANSPORTATION
WEST ABUTMENT REPAIRS
31 ST. STREET OVER KILBOURN AVE.
F.A.U. ROUTE 1463 SECTION 159-1010.1B
COOK COUNTY
STATION 223+67.45
STR. NO. 016-0872
SCALE: VERT. DATE APRIL 2008
DRAWN BY JHR
CHECKED BY CLS