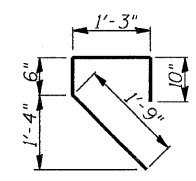
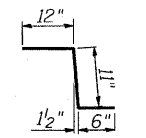


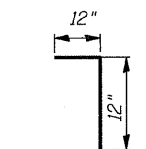
**PROPOSED ABUTMENT PLAN**  
(East Abut. shown, West Abut. opposite hand)



**BAR s(E)**



**BAR c(E)**

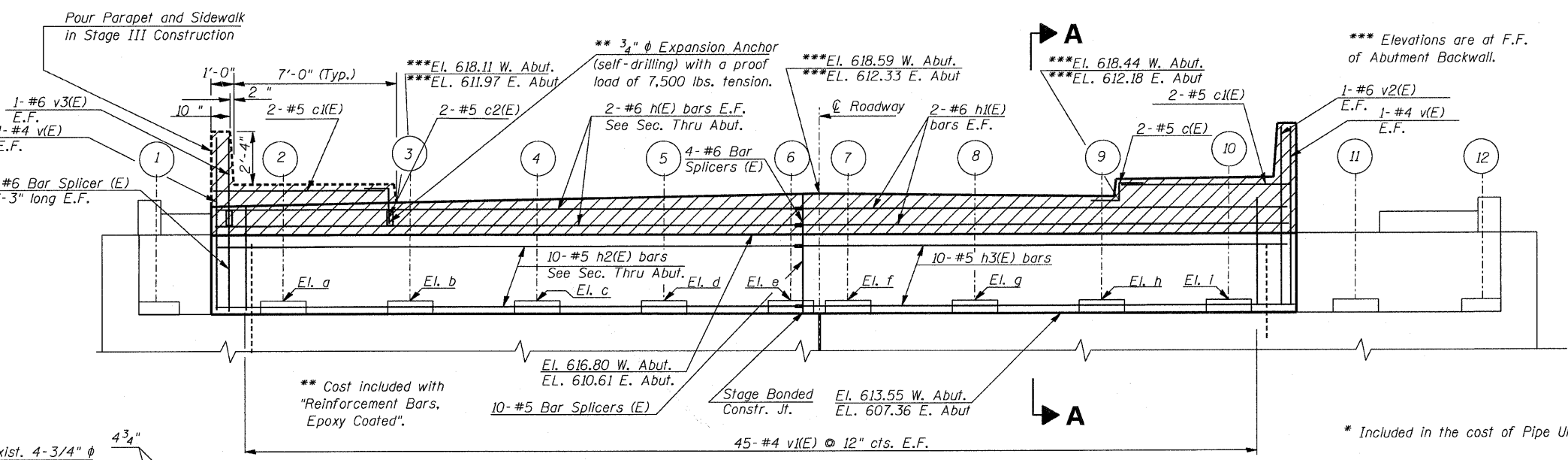


**BAR c2(E)**

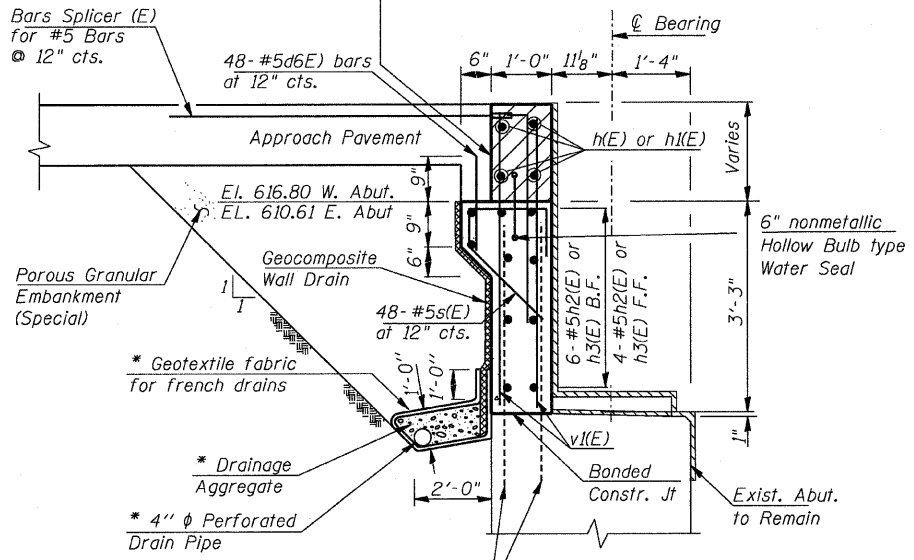
**BILL OF MATERIAL**  
(For two Abutments)

Bar	No.	Size	Length	Shape
c (E)	4	#5	2'-5"	
c1(E)	8	#5	7'-9"	
c2(E)	4	#5	2'-0"	
d6(E)	96	#5	1'-6"	
h (E)	8	#6	25'-9"	
h1(E)	8	#6	21'-3"	
h2(E)	20	#5	25'-9"	
h3(E)	20	#5	21'-3"	
s (E)	96	#5	4'-4"	
v (E)	8	#4	7'-5"	
v1(E)	180	#4	4'-4"	
v2(E)	4	#6	7'-2"	
v3(E)	4	#6	3'-2"	
Concrete Structures		Cu. Yd.	13.4	
Reinforcement Bars, Epoxy Coated		Pound	2930	
Structure Excavation		Cu. Yd.	74	
Porous Granular Embankment (Special)		Cu. Yd.	74	
Concrete Sealer		Sq. Ft.	772	
Pipe Underdrains for Structures 4"		Ft.	120	
Geocomposite Wall Drain		Sq. Yd.	25.8	

Hatched area to be poured after superstructure falsework has been removed. Quantity of concrete included with Concrete Superstructure.



**PROPOSED ABUTMENT ELEVATION**  
(East Abut. shown, West Abut. opposite hand)



**SECTION A-A**

	El. a (At Beam 2)	El. b (At Beam 3)	El. c (At Beam 4)	El. d (At Beam 5)	El. e (At Beam 6)	El. f (At Beam 7)	El. g (At Beam 8)	El. h (At Beam 9)	El. i (At Beam 10)
W. Abut.	613.68	613.81	613.95	614.07	614.13	614.14	614.13	614.06	613.97
E. Abut.	607.49	607.62	607.76	607.88	607.94	607.95	607.94	607.87	607.78

**EXIST. BRG. SEAT ELEVATIONS**

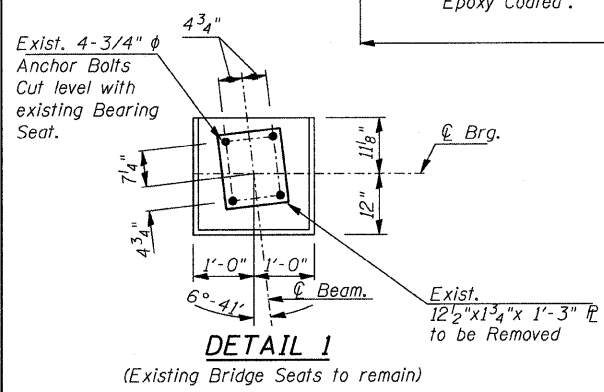
**LEGEND**

- Concrete Structures
- Concrete Sealer
- Geocomposite Wall Drain

Notes:  
1. 4" Perforated pipe drain shall extend through existing wingwalls and discharge to the slope wall.  
2. Costs of coring holes through slopewalls and providing rodent shields at both ends is included in price of pay item.

REVISIONS	
NAME	DATE

ILLINOIS DEPARTMENT OF TRANSPORTATION  
**PROPOSED ABUTMENT DETAILS**  
31 ST. STREET OVER KILBOURN AVE.  
F.A.U. ROUTE 1463 SECTION 159-1010.1B  
COOK COUNTY  
STATION 223+67.45  
STR. NO. 016-0872  
SCALE: VERT.      DRAWN BY JHR  
          HORIZ.      DATE APRIL 2008      CHECKED BY CLS



**DETAIL 1**

(Existing Bridge Seats to remain)