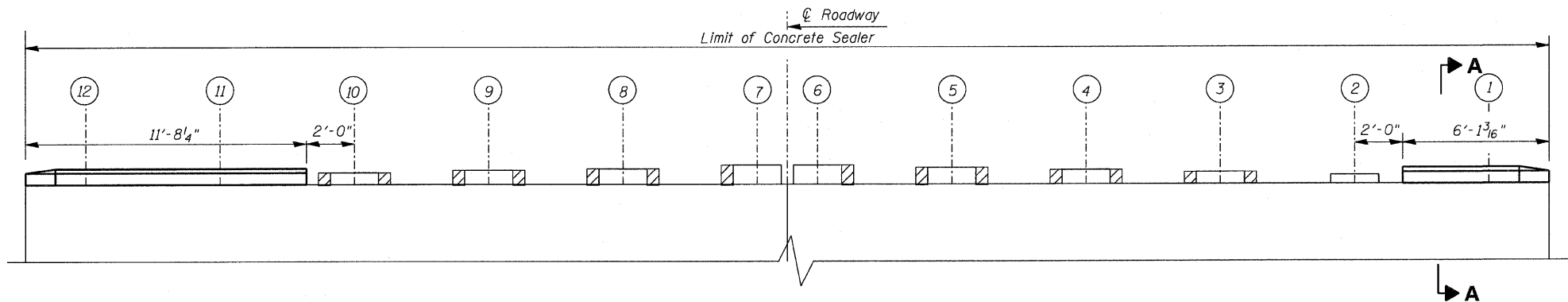


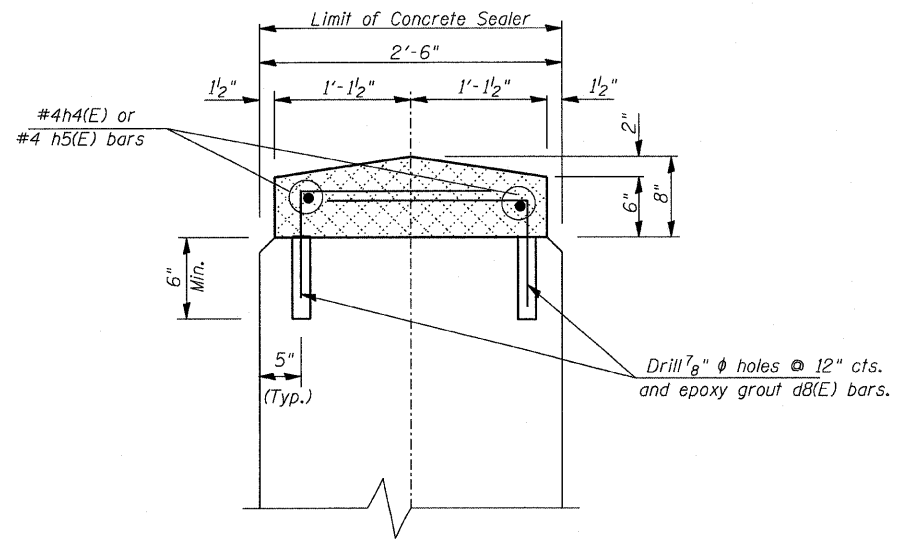
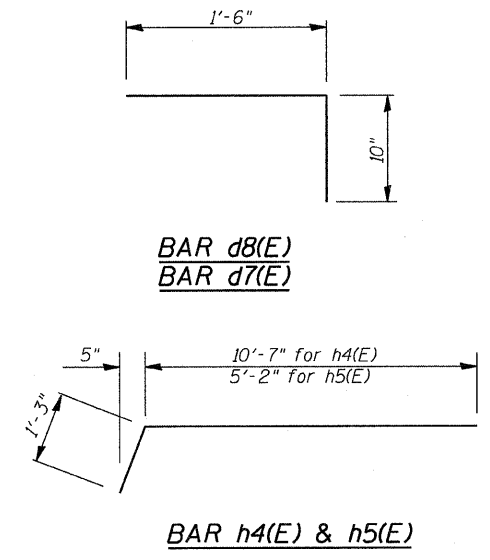
**PIER CAP PLAN**



**PIER CAP ELEVATION**  
(Looking West)

**BILL OF MATERIAL**  
FOR PIER 1 AND 2

Bar	No.	Size	Length	Shape
d8(E)	72	#4	2'-4"	┌
h4(E)	4	#4	11'-10"	┌
h5(E)	4	#4	6'-5"	┌
Concrete Structures		Cu. Yd.	1.7	
Reinforcement Bars, Epoxy Coated		Pound	160	
Concrete Sealer		Sq. Ft.	317	



**SECTION A-A**  
**FOR PIERS 1 & 2**

REVISIONS	
NAME	DATE

ILLINOIS DEPARTMENT OF TRANSPORTATION

**PROPOSED PIER DETAILS**

31 ST. STREET OVER KILBOURN AVE.  
F.A.U. ROUTE 1463 SECTION 159-1010.1B  
COOK COUNTY  
STATION 223+67.45  
STR. NO. 016-0872

SCALE: VERT. \_\_\_\_\_  
HORIZ. \_\_\_\_\_  
DATE APRIL 2008

DRAWN BY JHR  
CHECKED BY CLS