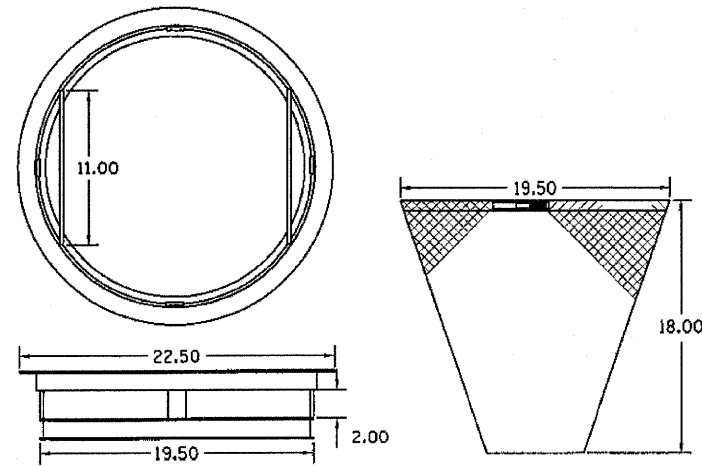


F.A.U. RTE.	SECTION	COUNTY	TOTAL SHEETS	SHEET NO.
1463	•	COOK	171	156
STA.		TO STA.		
FED. ROAD DIST. NO.		ILLINOIS FED. AID PROJECT		

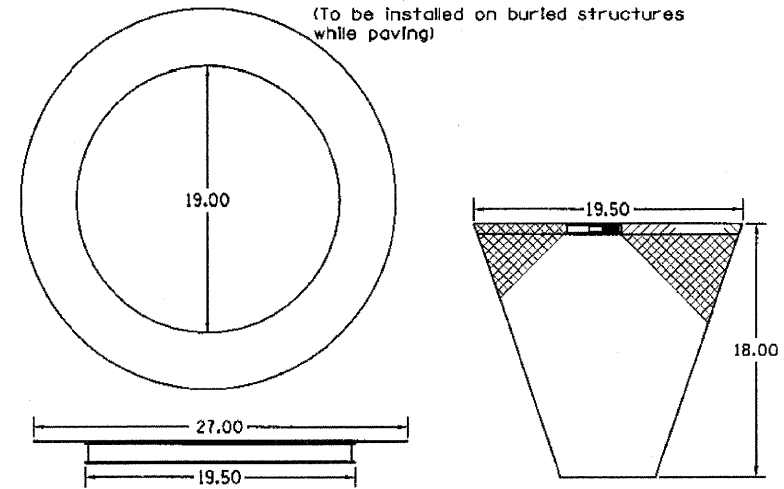
*1010.1B

TYPE I INLET FILTER



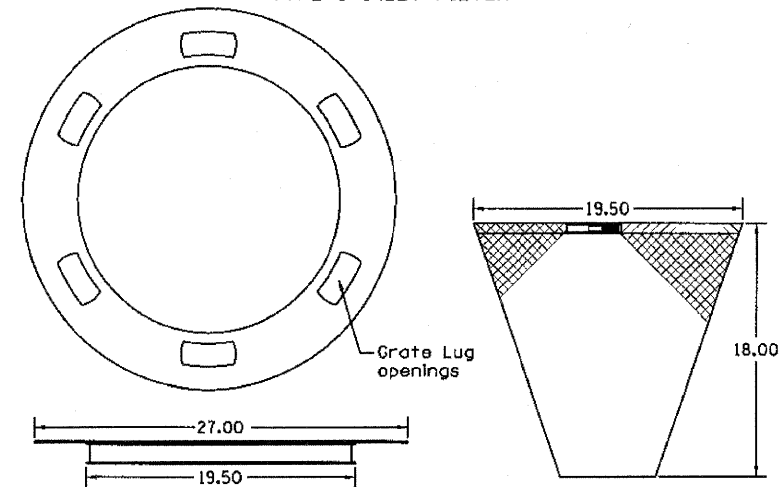
NOTES:
 FRAME: Top ring shall be fabricated from 1 1/4" x 1 1/4" x 1/8" angle. Base ring shall be fabricated from 1 1/2" x 1/2" x 1/8" channel. Handles and suspension brackets shall be fabricated from 1 1/4" x 1/4" flat stock. Domestic steel conforming to ASTM-A36.
 SEDIMENT BAGS: Shall be fabricated from 4 oz./sq. yd. non-woven polypropylene geotextile and shall be reinforced with polyester mesh. The bag shall be secured to the base ring with a stainless steel strap and lock.

CATCH BASIN & INLET FILTER
 (To be installed on buried structures while paving)



NOTES:
 FRAME: Flange shall be fabricated from 1/8" flat stock. Base ring shall be fabricated from 1 1/2" x 1/2" x 1/8" channel. Domestic steel conforming to ASTM-A36.
 SEDIMENT BAG: Shall be fabricated from 4 oz./sq. yd. non-woven polypropylene geotextile and shall be reinforced with polyester mesh. The bag shall be secured to the base ring with a stainless steel strap and lock.

TYPE B INLET FILTER



NOTES:
 FRAME: Flange shall be fabricated from 1/8" flat stock. Base ring shall be fabricated from 1 1/2" x 1/2" x 1/8" channel. Domestic steel conforming to ASTM-A36.
 SEDIMENT BAG: Shall be fabricated from 4 oz./sq. yd. non-woven polypropylene geotextile and shall be reinforced with polyester mesh. The bag shall be secured to the base ring with a stainless steel strap and lock.

NOTE: ALL UNITS ARE IN INCHES UNLESS OTHERWISE NOTED

REVISIONS		ILLINOIS DEPARTMENT OF TRANSPORTATION
NAME	DATE	
		<p style="text-align: center;">INLET FILTER DETAILS (SHEET 1 OF 2)</p> <p>SCALE NONE DRAWN BY</p> <p>DATE CHECKED BY</p>