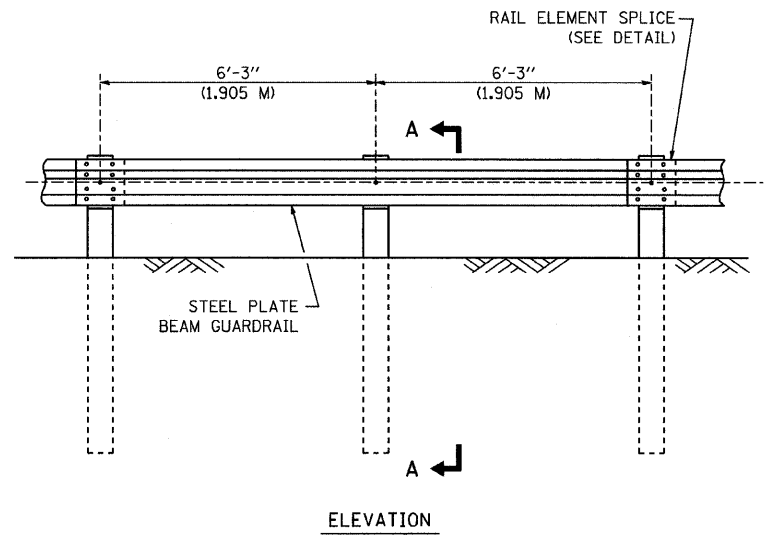
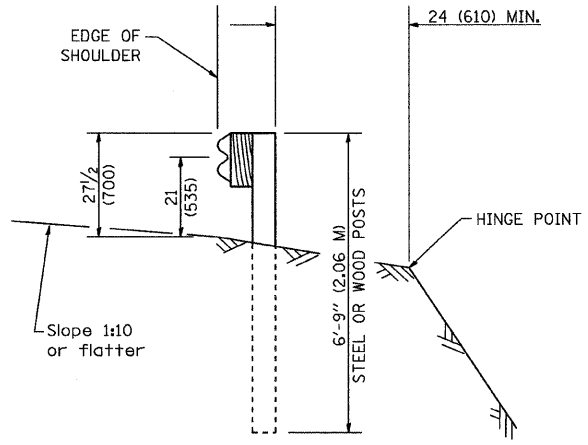


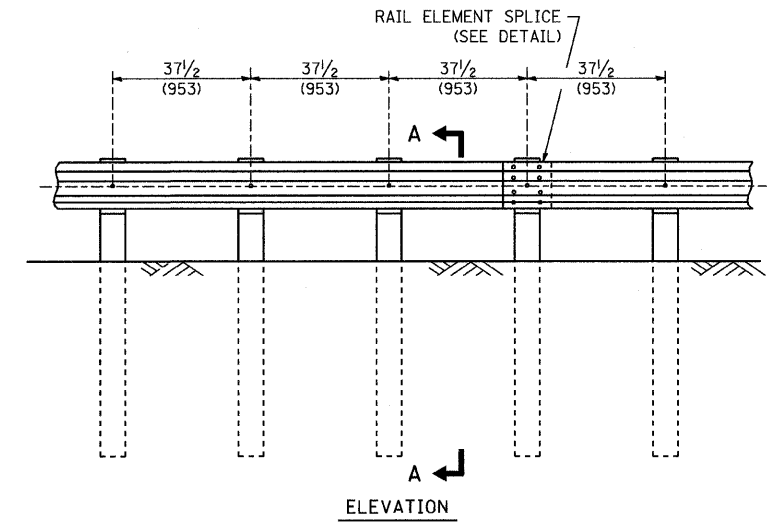
CONTRACT NO.				
F.A. RTE.	SECTION	COUNTY	TOTAL SHEETS	SHEET NO.
08-F3000-20-BT	COOK		29	18
STA.		TO STA.		
FED. ROAD DIST. NO.		ILLINOIS FED. AID PROJECT		
CONTRACT NO. 63052				



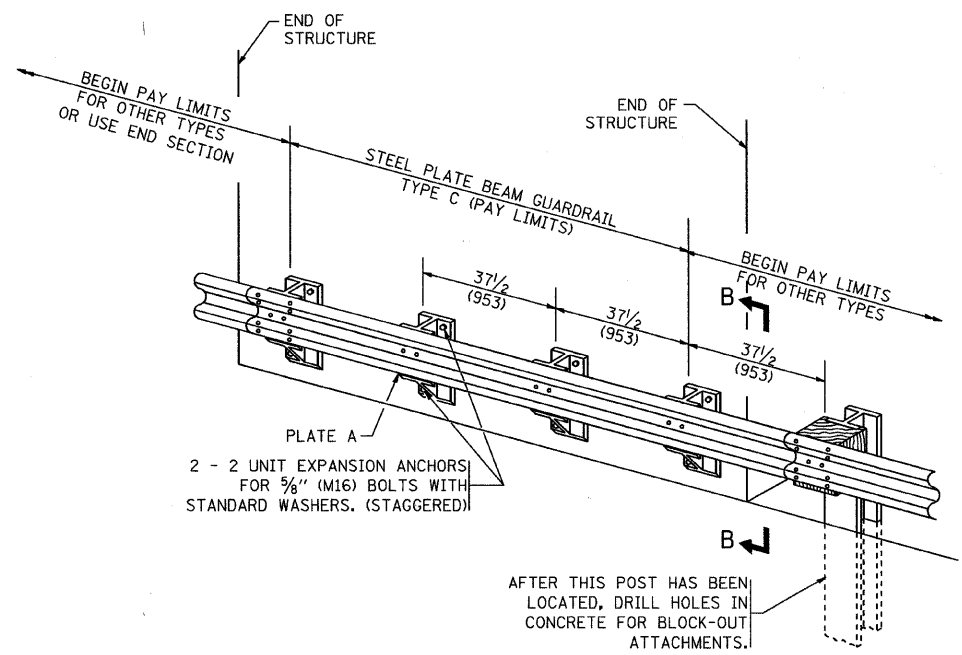
TYPE A
6'-3" (1.905 M) TYPICAL POST SPACING



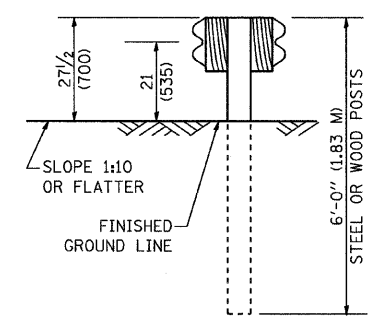
SECTION A-A



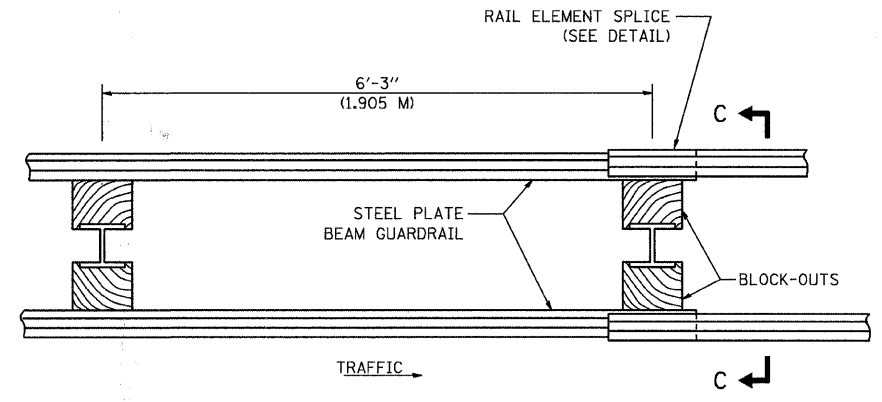
TYPE A
37 1/2 (953) CLOSED POST SPACING



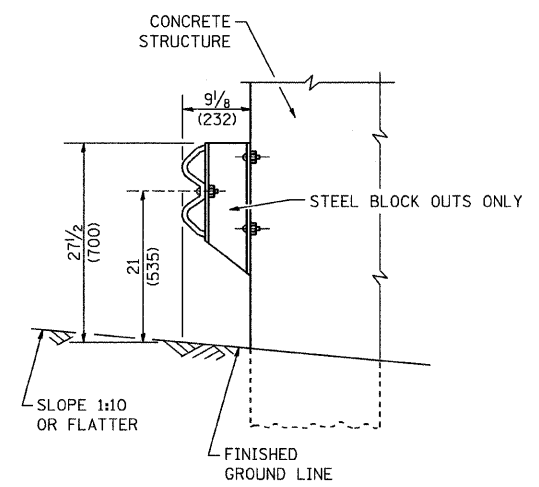
TYPE C
37 1/2 (953) BLOCK-OUT SPACING



SECTION C-C



TYPE D
DOUBLE STEEL PLATE BEAM GUARDRAIL
6'-3" (1.905 M) TYPICAL POST SPACING



SECTION B-B

GENERAL NOTES

ALL SLOPE RATIOS ARE EXPRESSED AS UNITS OF VERTICAL DISPLACEMENT TO UNITS OF HORIZONTAL DISPLACEMENT (V:H).
ALL DIMENSIONS ARE IN INCHES (MILLIMETERS) UNLESS OTHERWISE SHOWN.
THE EXISTING STEEL POSTS MAY BE DRILLED TO MATCH THE BOLT PATTERN SHOWN HEREIN FOR THE WOOD BLOCK-OUT, OR A NEW STEEL POST SHALL BE PROVIDED.
THIS DETAIL IS APPLICABLE TO THE GUARDRAIL SYSTEM USED PRIOR TO JANUARY 1, 2007. FOR DETAILS ON THE MIDWEST GUARDRAIL SYSTEM, SEE STANDARD 630001.

REVISIONS	
NAME	DATE

ILLINOIS DEPARTMENT OF TRANSPORTATION
**REMOVE AND REERECT
STEEL PLATE BEAM GUARDRAIL
(SHEET 1 OF 4)**
SCALE: NONE
DATE: 2/27/2007
DRAWN BY
CHECKED BY

PLOT DATE = 2/27/2007
FILE NAME = K:\data\2007\2\27\2007.dgn
PLOT SCALE = 1/8" = 1'-0"
USER NAME = jlg