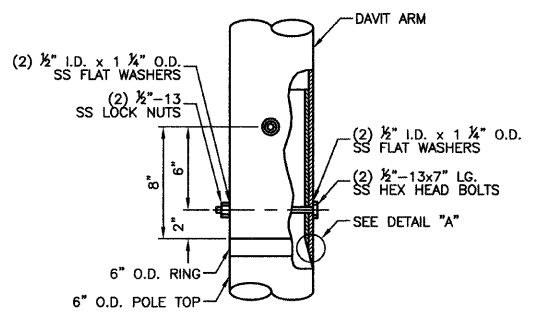
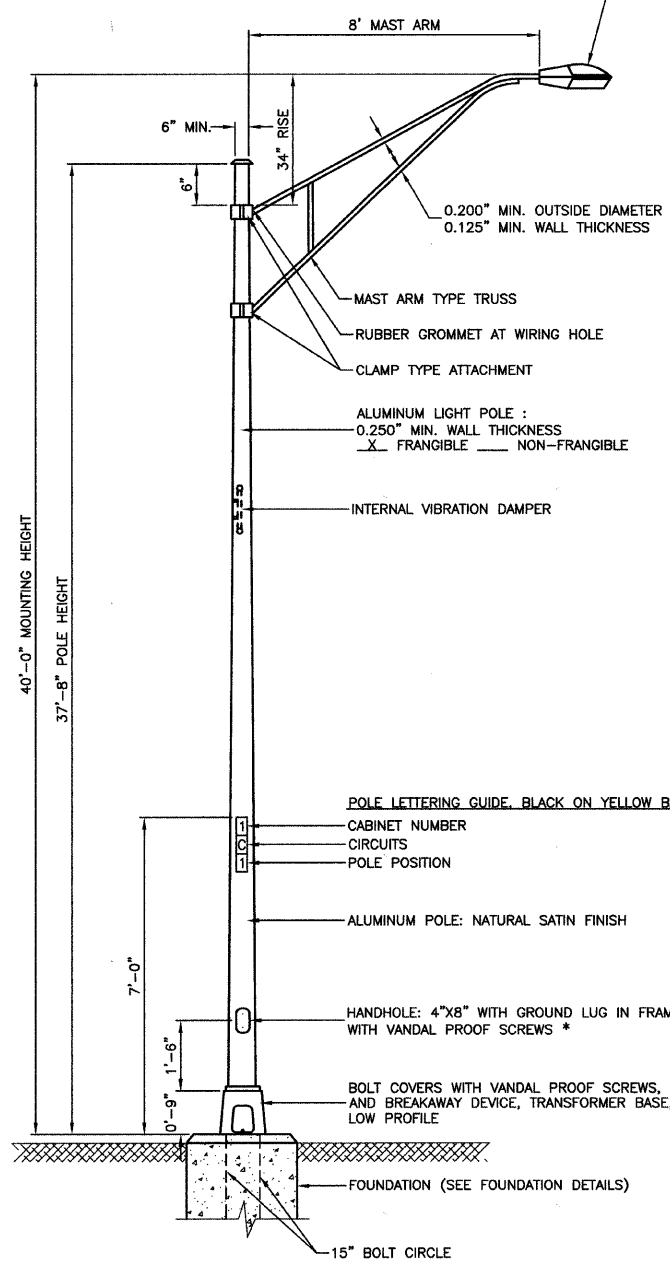


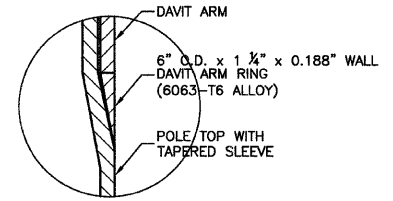
F. A. U. NO.	SECTION	COUNTY	TOTAL SHEETS	SHEET NO.
2906	02-00077-00-WR	COOK	073	026
STA.	TO STA.			
FED. ROAD DIST. NO. 1	ILLINOIS	FED. AID PROJECT	M-8003(598)	

CONTRACT #63061

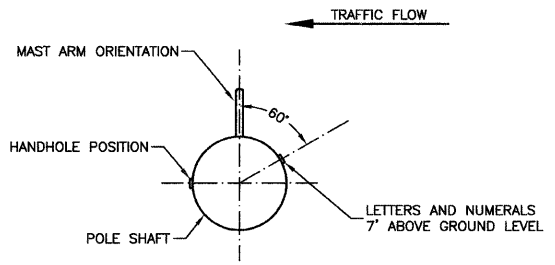
**LUMINAIRE:**  
 310 WATT HIGH PRESSURE SODIUM LAMP  
 240 VOLT BALLAST  
 I.E.S. TYPE: MC III LIGHT DISTRIBUTION  
 LENS TYPE: FLAT  
 INITIAL LAMP LUMENS: 37,000  
 LAMP LIFE: 24,000 HOURS



CONNECTION DETAIL

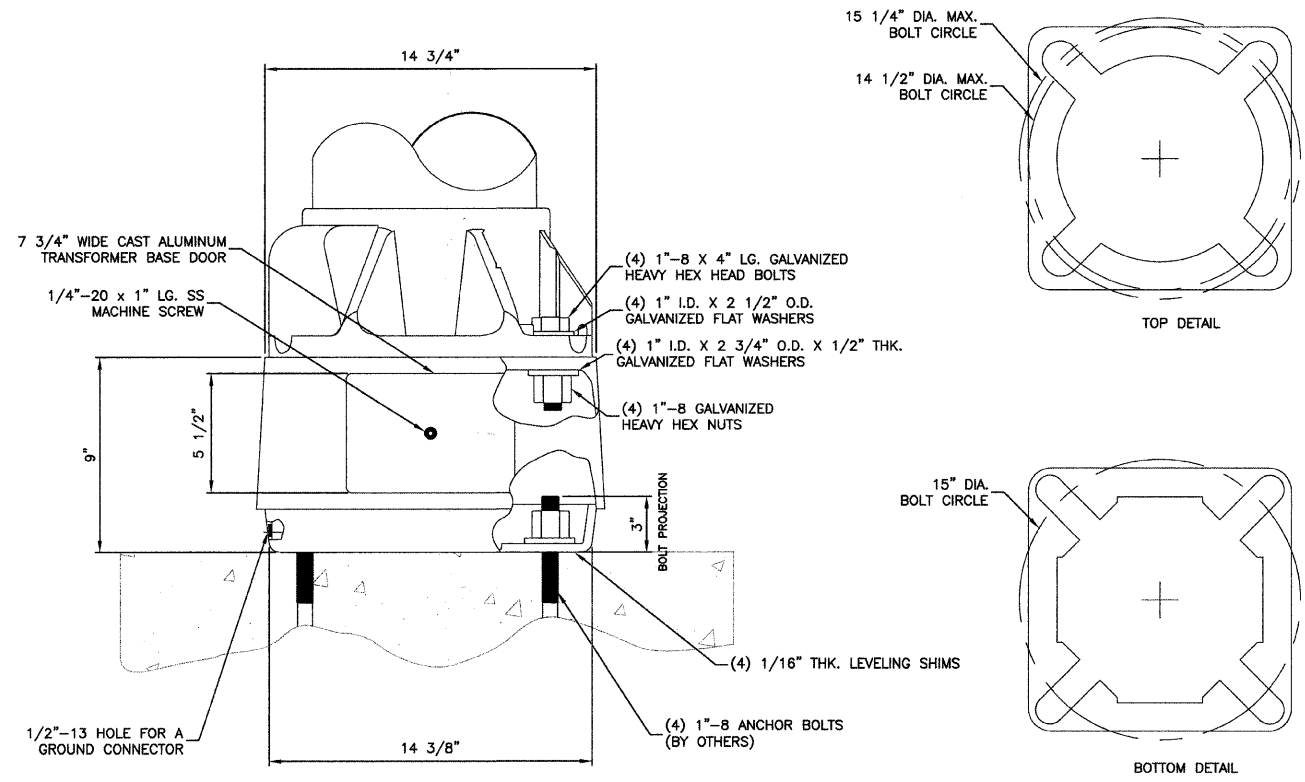


DETAIL "A"



POSITION OF HANDHOLE AND NUMERALS ON POLE

**IMPORTANT NOTE:**  
 TRANSFORMER BASE AND LIGHTPOLE  
 TO BE LEVELED AS ONE UNIT, USING  
 LEVELING SHIMS IF REQUIRED.



BREAKAWAY TRANSFORMER BASE DETAIL

- NOTES:**
- THE LIGHTING UNITS SHALL MEET MASHTO DESIGN CRITERIA. DESIGN FOR 90 M.P.H. WIND WITH 30% GUST AND 75 POUND LUMINAIRE HAVING AN E.P.A. OF 1.6 SQ. FT. AND PROPER ICE LOADING.
  - ALUMINUM ALLOY 6063-T6 SHALL BE USED.

\* - BUTTON HEAD SOCKET SET SCREW TYPE OF SCREWS PREFERRED FOR THIS APPLICATION

TYPICAL POLE INSTALLATION (40' MH)

REVISIONS	
NAME	DATE

ILLINOIS DEPARTMENT OF TRANSPORTATION

STATE STREET AND 168TH STREET  
 INTERSECTION IMPROVEMENT  
 STREET LIGHTING DETAILS

SCALE: VERT. NA  
 HORIZ. NA  
 DATE 7/22/08

DRAWN BY PS  
 CHECKED BY PAP

ROBINSON ENGINEERING, LTD.  
 1700 SOUTH PARK AVENUE SOUTH HOLLAND, ILLINOIS 60473  
 (708) 381-6100 FAX (708) 381-9826  
 ILLINOIS DESIGN FIRM REGISTRATION NO. 18401121

07345-LIGHT-03