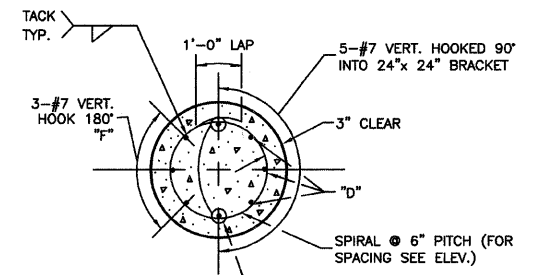
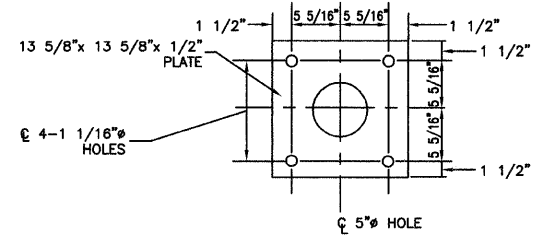


F. A. U. NO.	SECTION	COUNTY	TOTAL SHEETS	SHEET NO.
2906	02-00077-00-WR	COOK	073	030
STA.	TO STA.			
FED. ROAD DIST. NO. 1	ILLINOIS	FED. AID PROJECT	M-8003(596)	

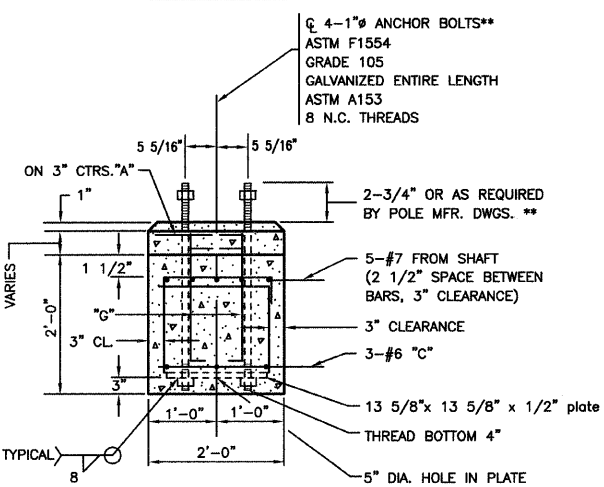
CONTRACT #63061



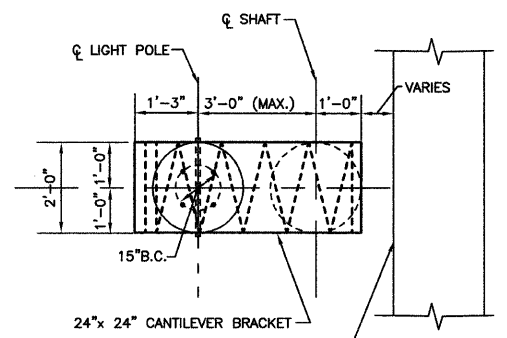
SECTION A-A



ANCHOR BOLT PLATE



SECTION B-B

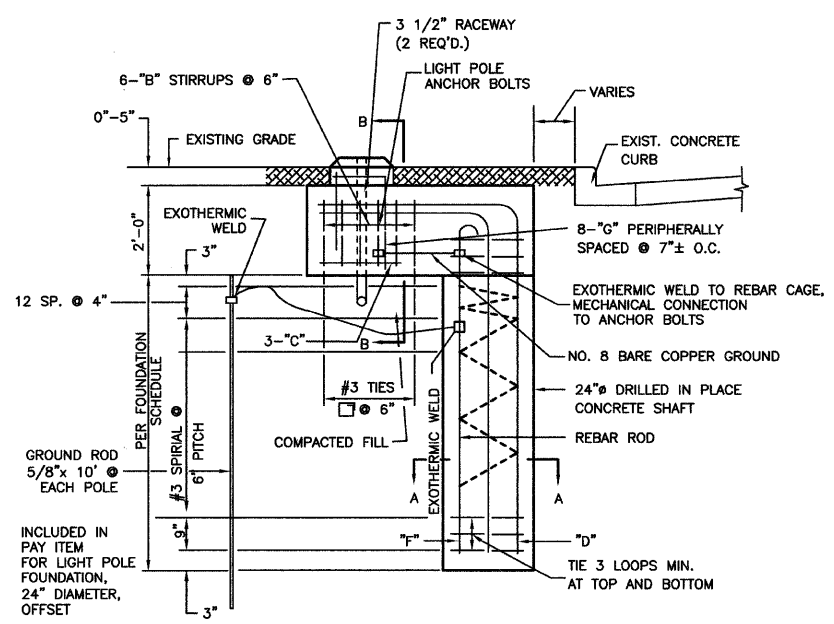


PLAN - CANTILEVERED BRACKET

**\*\*NOTE:**  
THE TOP OF THE ANCHOR BOLTS SHOULD NOT PROJECT MORE THAN 4" ABOVE A 60" CHORD ALIGNED RADIALLY TO THE CENTERLINE OF THE HIGHWAY AND CONNECTING ANY POINT WITH- IN THE LENGTH OF THE CHORD, ON THE GROUND SURFACE ON ONE SIDE OF THE SUPPORT TO A POINT ON THE GROUND SURFACE ON THE OTHER SIDE.

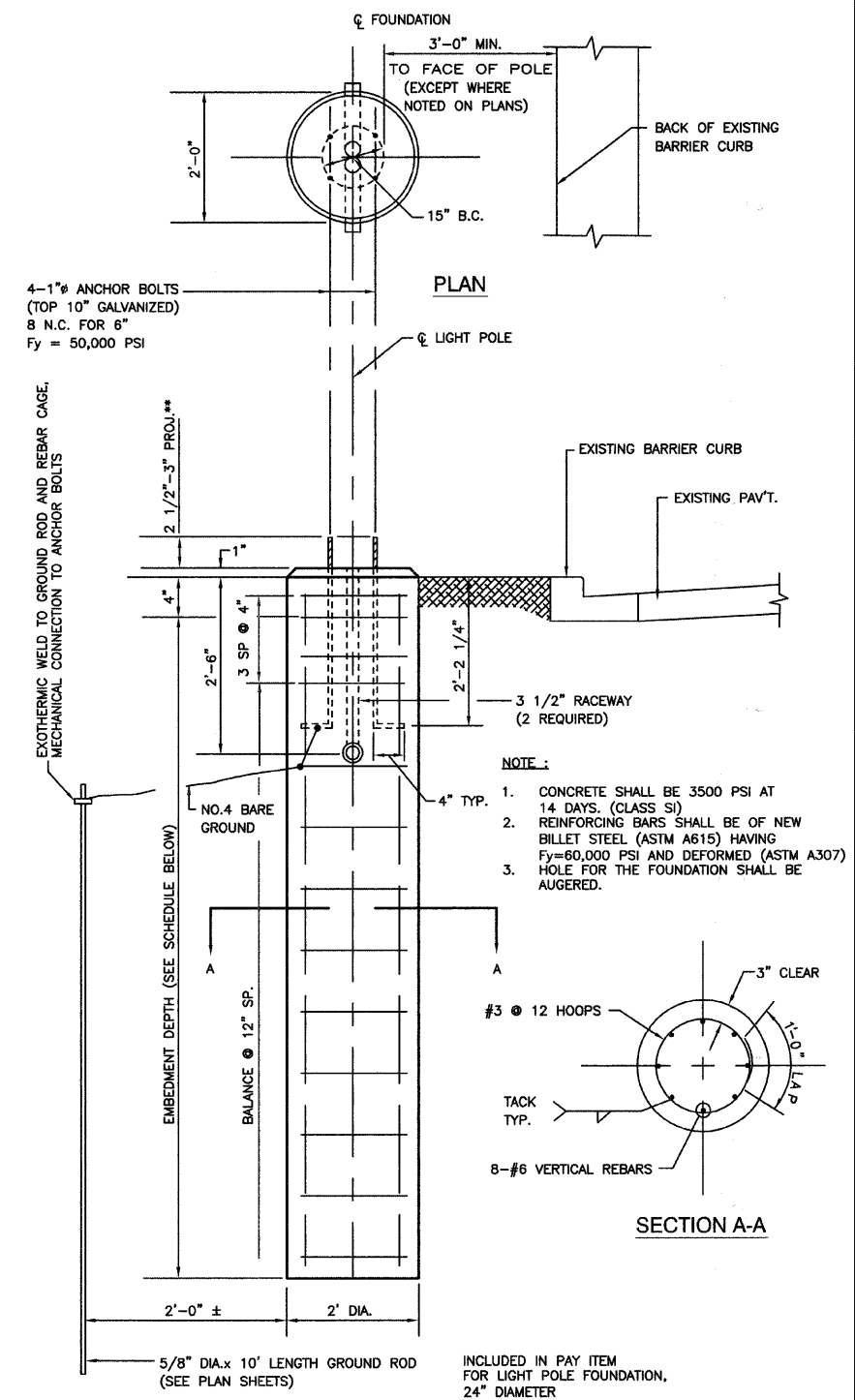
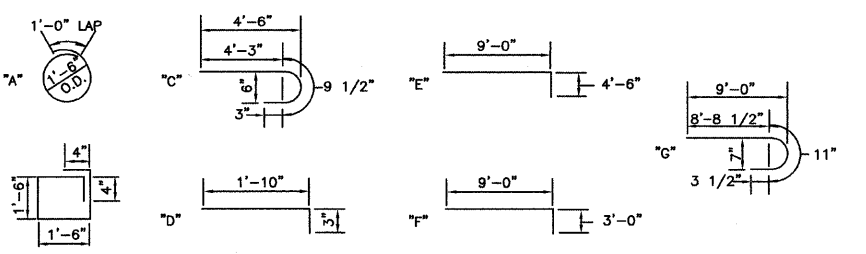
- NOTE:**
1. CONCRETE SHALL BE 3500 PSI AT 14 DAYS. (CLASS SI)
  2. REINFORCING BARS SHALL BE OF NEW BILLET STEEL ASTM M42M (M42) AND DEFORMED
  3. HOLE FOR THE FOUNDATION (SHAFT) SHALL BE AUGERED
  4. POLE FOUNDATION, OFFSET FOR THIS APPLICATION IS EQUIVALENT TO 13.5 LIN.FT. PER FOUNDATION.
  5. THE CONTRACTOR SHALL USE A #3 SPIRAL AT 6" PITCH OR MAY SUBSTITUTE #3 TIES 12" O.C. WITH THE APPROVAL OF THE ENGINEER

BILL OF MATERIALS				
QUAN.	MARK	SIZE	LENGTH	SHAPE
11	A	NO.3	5'-9"	○
6	B	NO.3	6'-8"	□
3	C	NO.6	5'-31/2"	○
8	G	NO.6	2'-1"	□
3	D	NO.7	13'-6"	○
2	E	NO.7	12'-0"	○
3	F	NO.7	9'-11"	○
REINFORCING BARS			LBS.	285
CLASS X CONCRETE			CU.YDS.	1.7
ANCHOR BOLTS			NO.	4
ANCHOR BOLT PLATE NO.				1



ELEVATION

POLE FOUNDATION, OFFSET - DETAILS



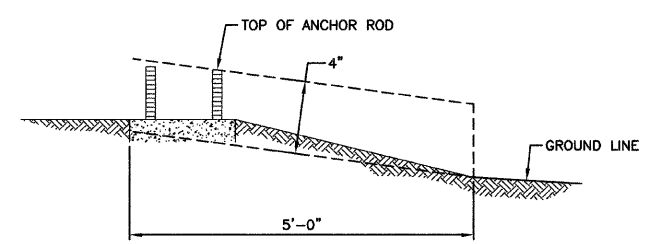
ELEVATION

LIGHT POLE FOUNDATION (TYPICAL)

**\*\*NOTE:**  
ACTUAL FOUNDATION DEPTH IS EMBEDMENT DEPTH (FROM SCHEDULE) PLUS 6" EQUALS TOTAL DEPTH.  
7'-6"+6"= 8'-0" FOR 40' MH  
10'-0"+6"=10'-6" FOR 47.5' MH

FOUNDATION SCHEDULE

DESCRIPTION	STANDARDS	EMBEDMENT			
		MOUNTING HEIGHT			
		30 FT.	35 FT.	40 FT.	47.5 FT.
SOFT CLAY	Qu = .25-.50 T/FT. 2	9'-0"	9'-8"	10'-6"	14'-0"
MEDIUM CLAY	Qu = .50-1.0 T/FT. 2	6'-6"	7'-0"	7'-6"	10'-0"
DENSE CLAY	Qu = 1.0-2.0 T/FT. 2	5'-6"	6'-0"	6'-6"	8'-6"
LOOSE SAND	N = 4-10	7'-0"	7'-8"	8'-4"	11'-0"
MEDIUM SAND	N = 10-30	6'-0"	6'-6"	7'-3"	9'-6"
DENSE SAND	N = 30-50	5'-6"	6'-0"	6'-6"	8'-6"



FOUNDATION EXTENSION DETAIL

**\*\*NOTE:**  
THE FOUNDATION SHALL NOT PROTRUDE MORE THAN 100MM (4") ABOVE THE FINISHED GRADE WITHIN A 1.5M (60") CHORD ACROSS THE FOUNDATION, WITH ANCHOR RODS INCLUDED, IN ACCORDANCE WITH AASHTO GUIDELINES. IF THE FOUNDATION HEIGHT, INCLUDING ANCHOR RODS, EXTENDS BEYOND THESE SPECIFIED LIMITS, THE FOUNDATION SHALL BE REPLACED AT THE CONTRACTORS EXPENSE. SEE FOUNDATION EXTENSION DETAIL.

REVISIONS	
NAME	DATE

ILLINOIS DEPARTMENT OF TRANSPORTATION

STATE STREET AND 168TH STREET INTERSECTION IMPROVEMENT STREET LIGHTING DETAILS

SCALE: VERT. NA  
HORIZ. 1"=50'  
DATE 6/4/08

DRAWN BY RG/PS  
CHECKED BY MRS



PREPARED BY OR UNDER THE DIRECT SUPERVISION OF:  
*Christopher J. King*  
Exp. 11/30/08