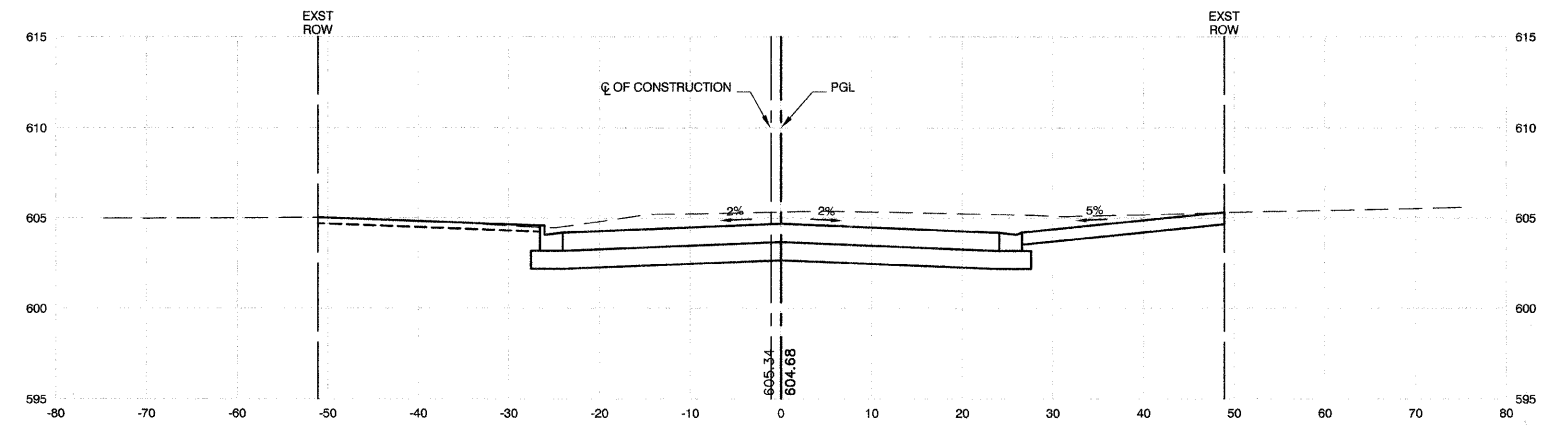
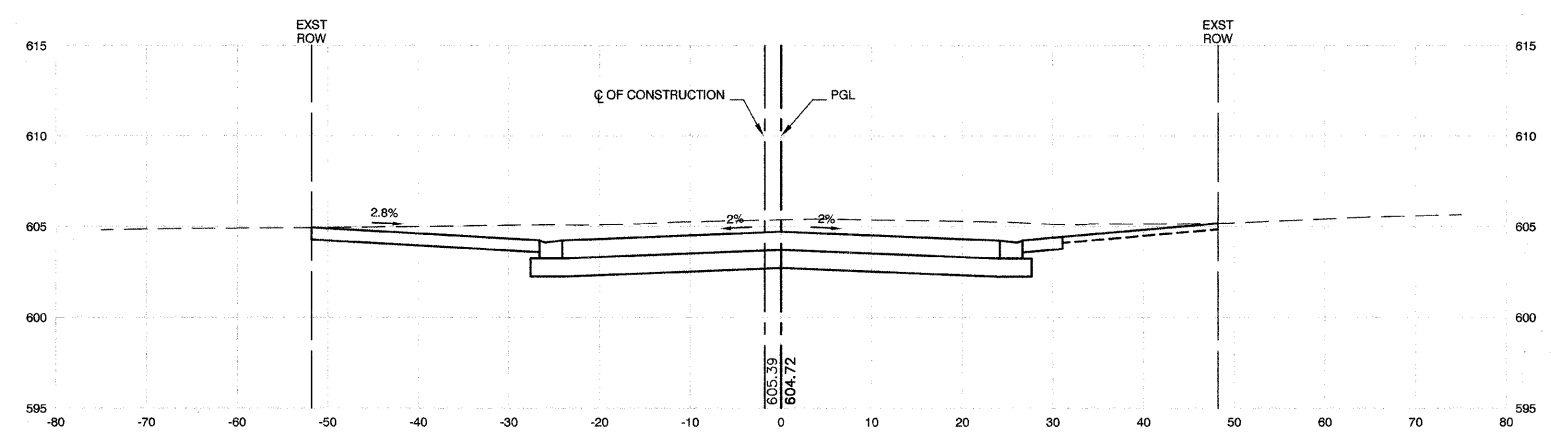


F. A. U. RITE	SECTION	COUNTY	TOTAL SHEETS	SHEET NO
2906	02-00077-00-WR	COOK	073	050
STA. 6+50		TO STA. 6+80.20		
FED. RD. DIST. NO. 1	ILLINOIS	FED. AID PROJECT	M-8003(596)	

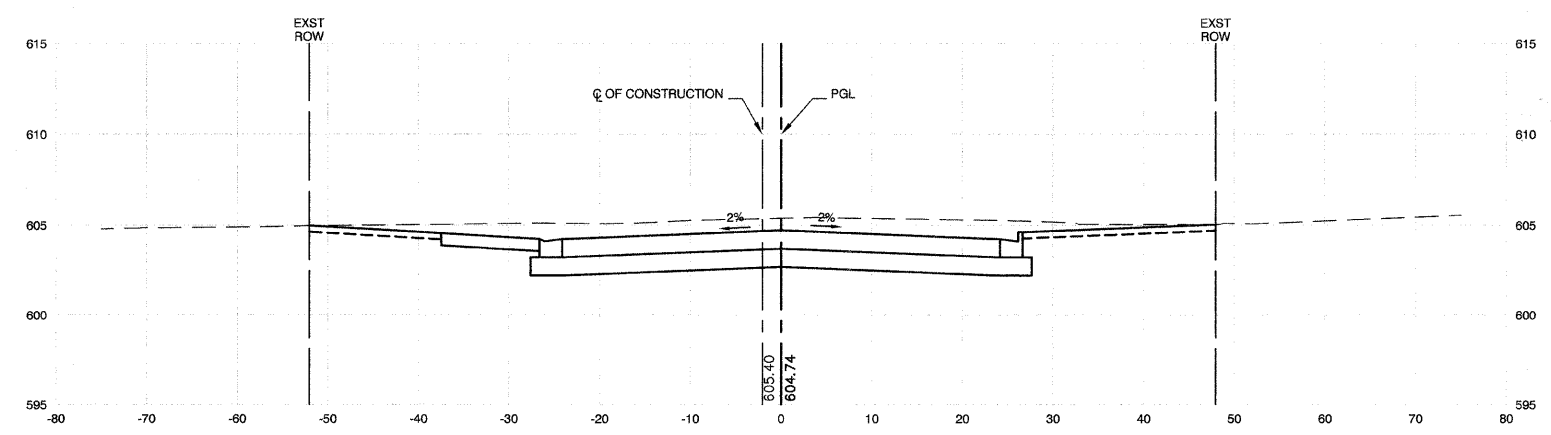
CONTRACT #63061



6+80.20
CUT=142 FILL=0



6+57.90
CUT=154 FILL=0



6+50
CUT=149 FILL=0

REVISIONS	
NAME	DATE

ILLINOIS DEPARTMENT OF TRANSPORTATION

**STATE STREET AND 168TH STREET
INTERSECTION IMPROVEMENT
CROSS SECTIONS
STATE STREET**

SCALE: VERT. 1"=5'
HORIZ. 1"=10'

DATE 7/22/08

DRAWN BY RG/TR
CHECKED BY EA/PKB