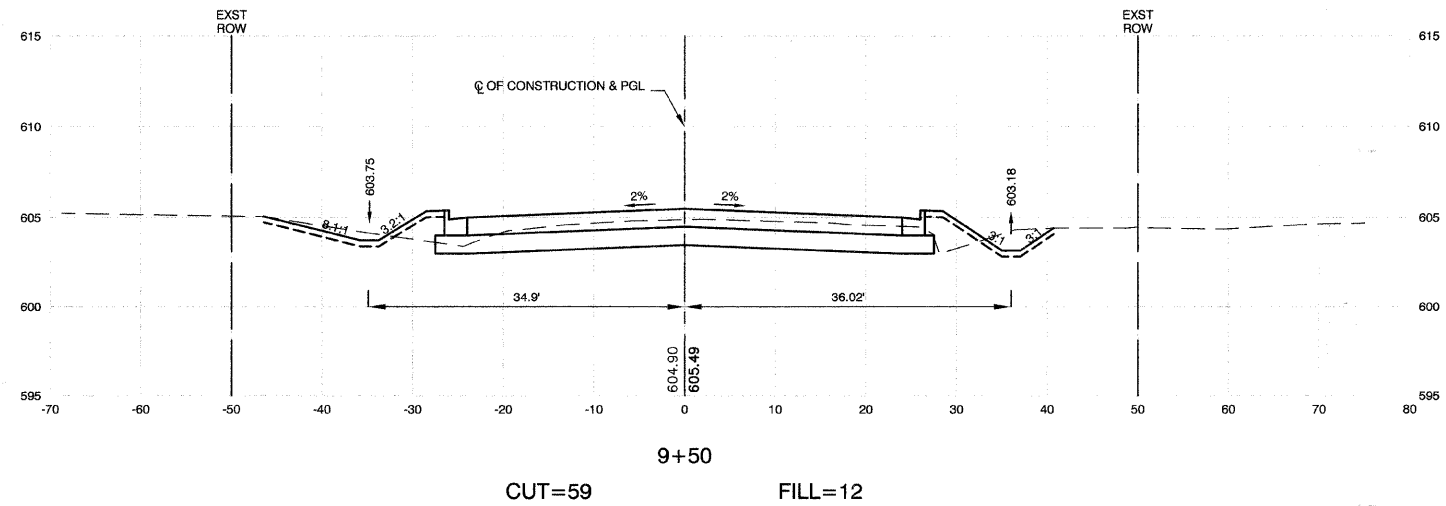
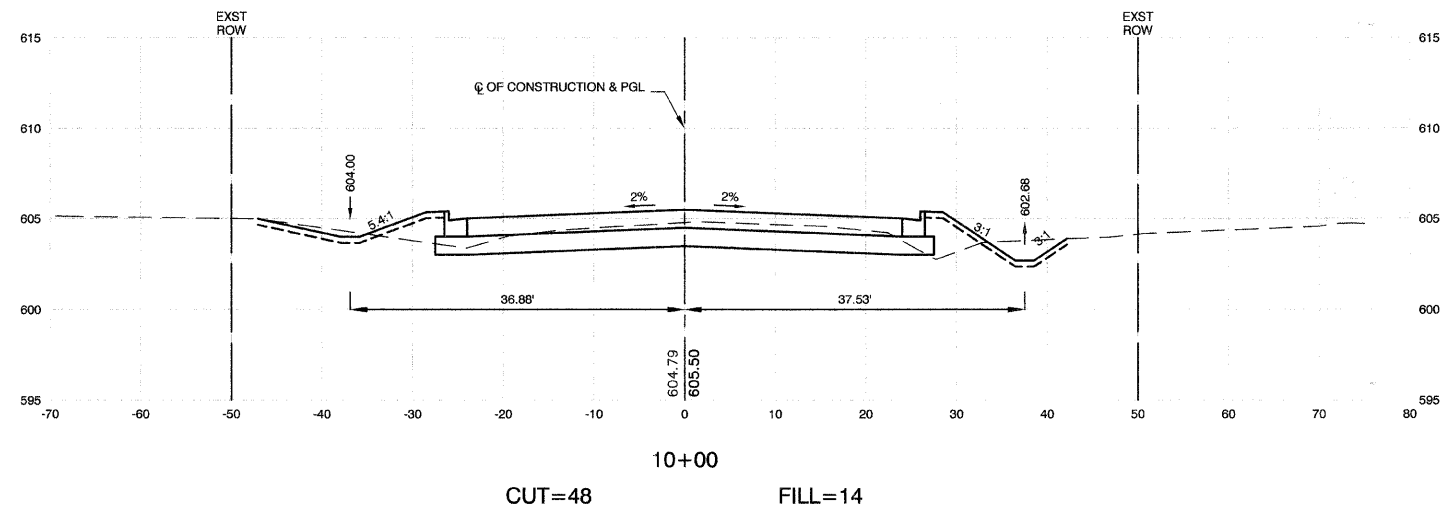
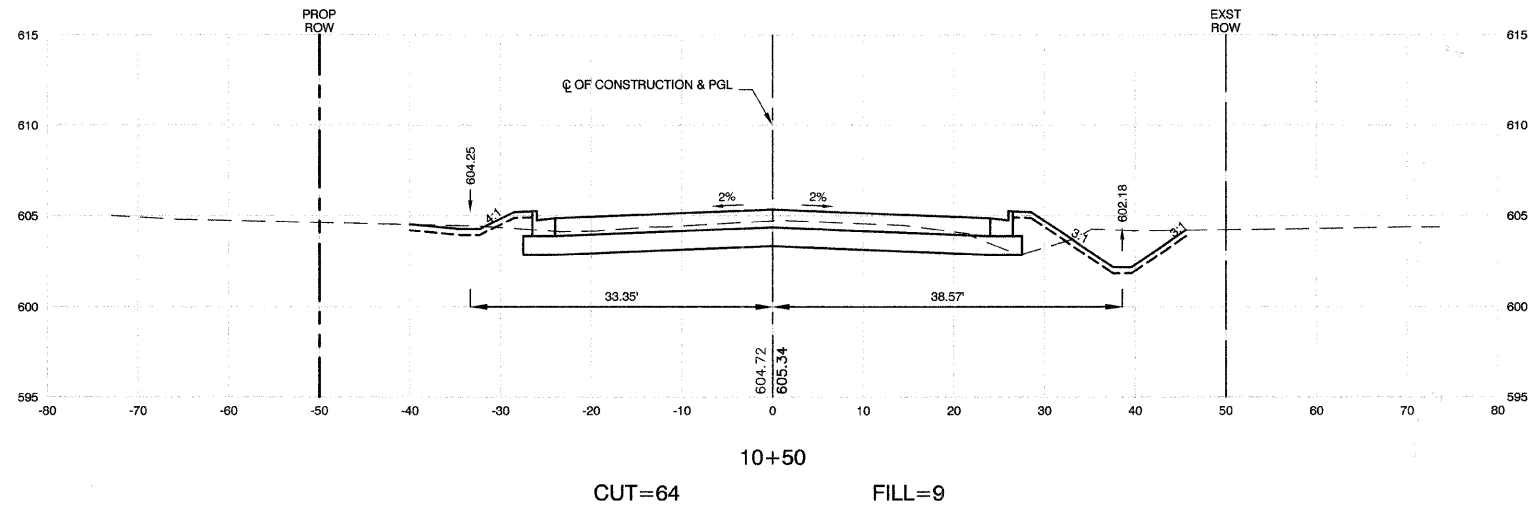


F. A. U. NO.	SECTION	COUNTY	TOTAL SHEETS	SHEET NO.
2906	02-00077-00-WR	COOK	073	054
STA. 9+50		TO STA. 10+50		
FED. ROAD DIST. NO. 1	ILLINOIS	FED. AID PROJECT	M-8003(596)	

CONTRACT #63061



REVISIONS	
NAME	DATE

ILLINOIS DEPARTMENT OF TRANSPORTATION

STATE STREET AND 168TH STREET
INTERSECTION IMPROVEMENT
CROSS SECTIONS
STATE STREET

SCALE: VERT. 1"=5'
HORIZ. 1"=10'

DATE 7/22/08

DRAWN BY RG/TR
CHECKED BY EA/PKB