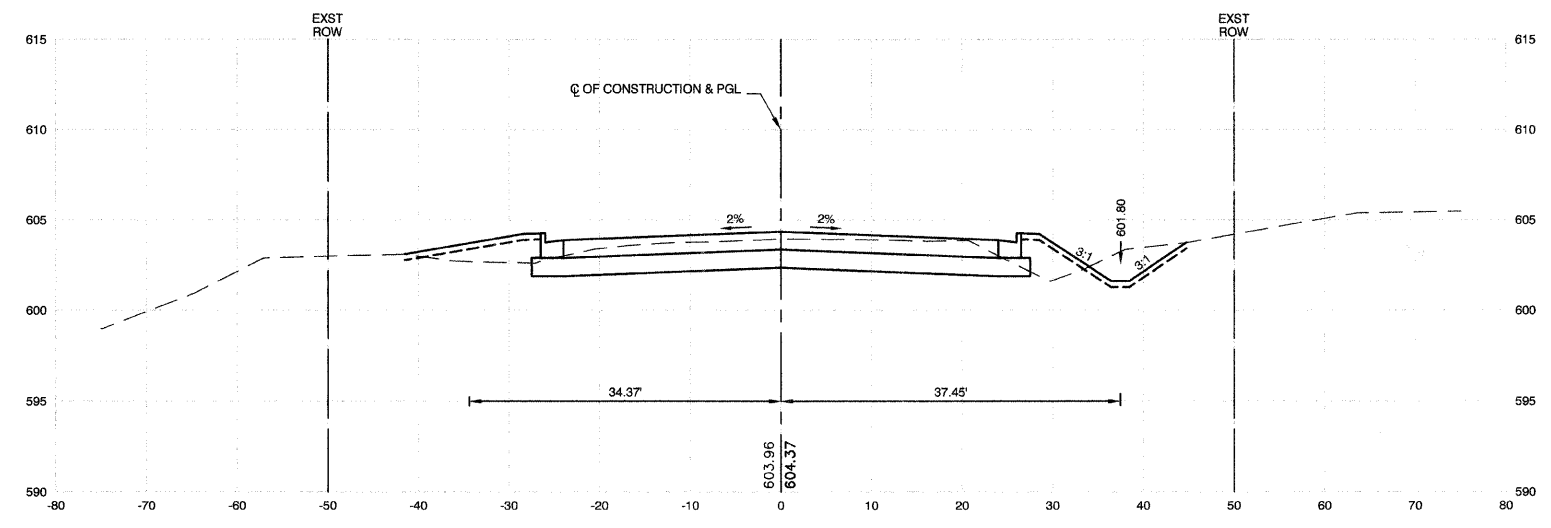
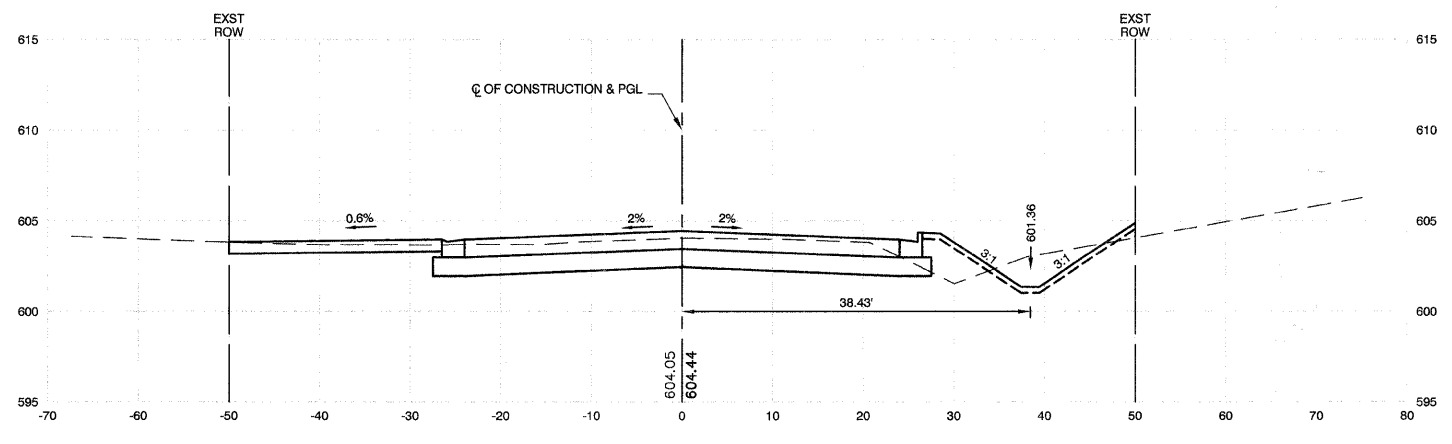


F. A. U. SHEET	SECTION	COUNTY	TOTAL SHEETS	SHEET NO.
2908	02-00077-00-WR	COOK	073	059
STA. 15+50		TO STA. 16+50		
FED. ROAD DIST. NO. 1	ILLINOIS	FED. AID PROJECT	M-8003(596)	

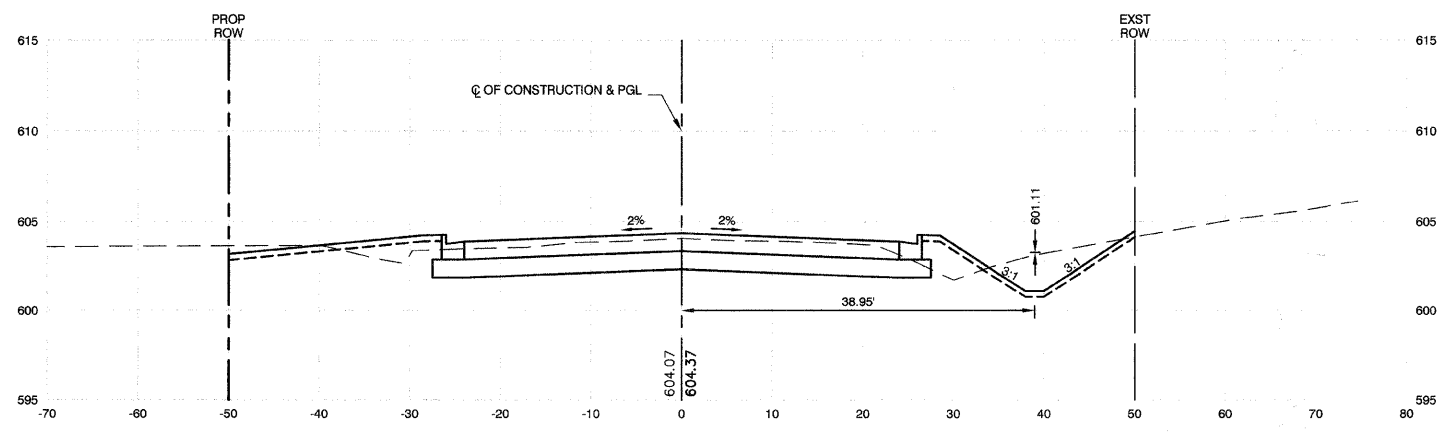
CONTRACT #63061



16+50
CUT=78 FILL=14



16+00
CUT=92 FILL=10



15+50
CUT=95 FILL=15

REVISIONS	
NAME	DATE

ILLINOIS DEPARTMENT OF TRANSPORTATION

STATE STREET AND 168TH STREET
INTERSECTION IMPROVEMENT
CROSS SECTIONS
STATE STREET

SCALE: VERT. 1"=5'
HORIZ. 1"=10'

DATE 7/22/08

DRAWN BY RG/TR
CHECKED BY EA/PKB