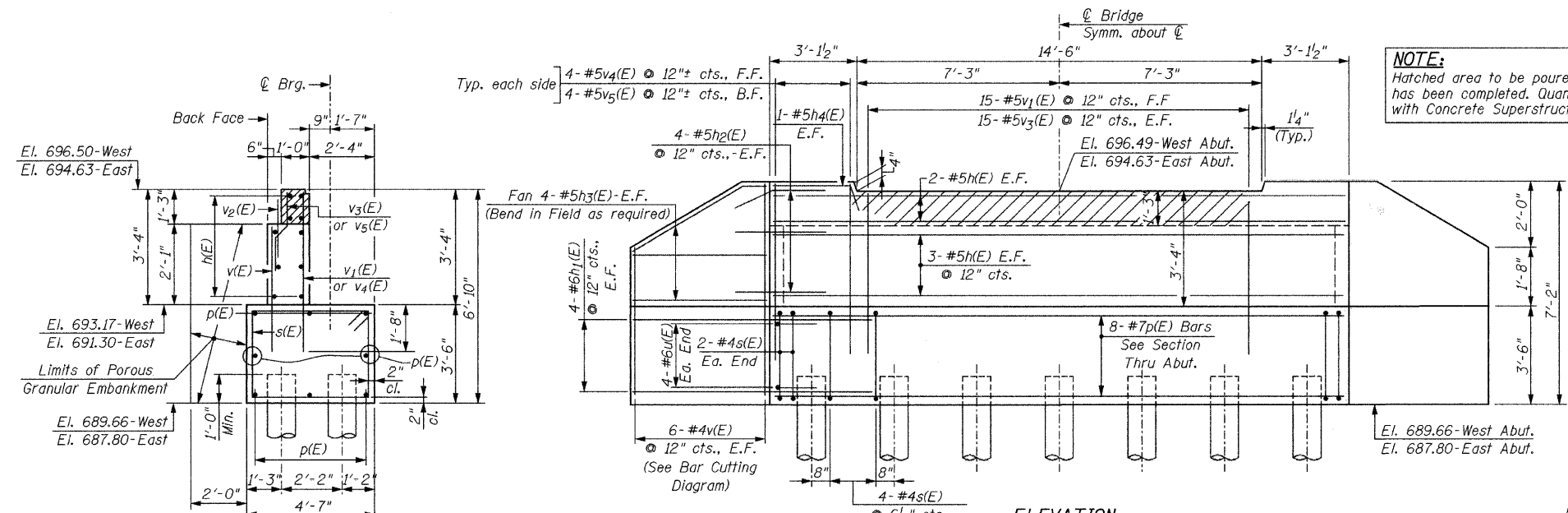
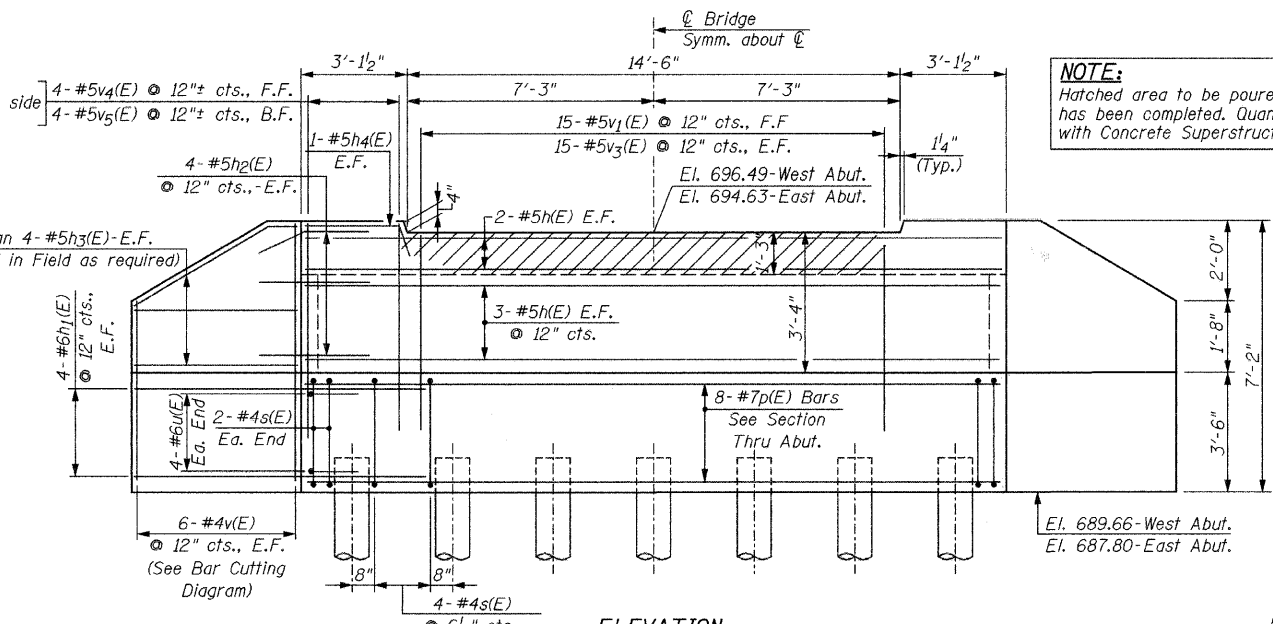


F.A.I.L. RFE.	SECTION	COUNTY	TOTAL SHEETS	SHEET NO.
99-00313-03-BT	DUPAGE	ILLINOIS	18	14
STA.	TO STA.			
FED. ROAD DIST. NO. 1	ILLINOIS	FED. AID PROJECT		

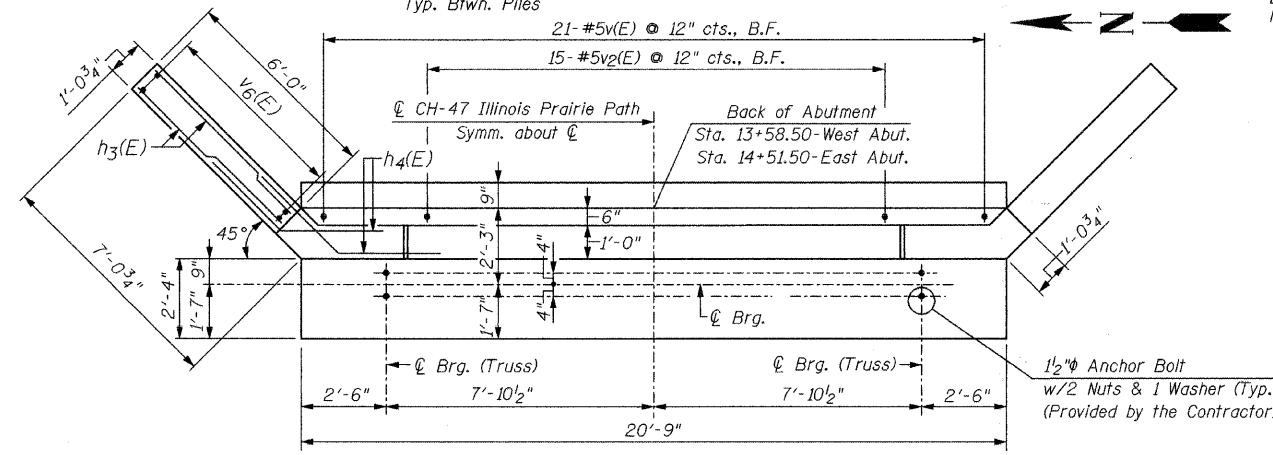
CONTRACT NO. 63069



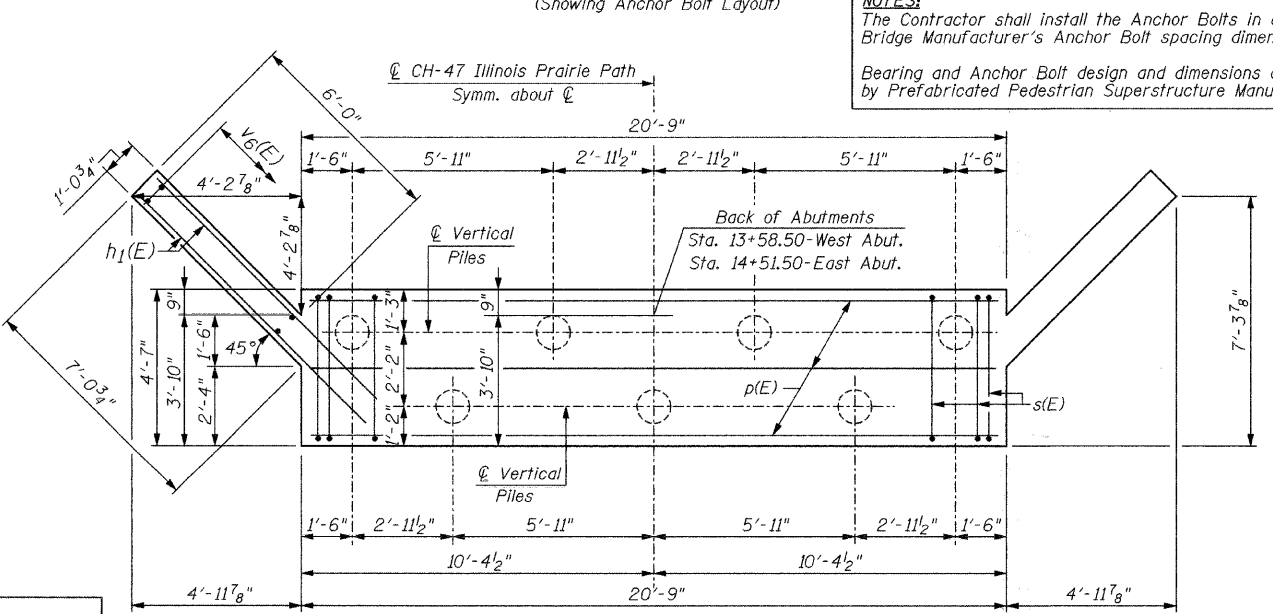
SECTION THRU ABUTMENT



ELEVATION



TOP PLAN



PLAN-PILE CAP

NOTE:
Hatched area to be poured after Deck Slab pouring has been completed. Quantity of concrete is included with Concrete Superstructure

LEGEND:
E.F. = Each Face
B.F. = Back Face
F.F. = Front Face

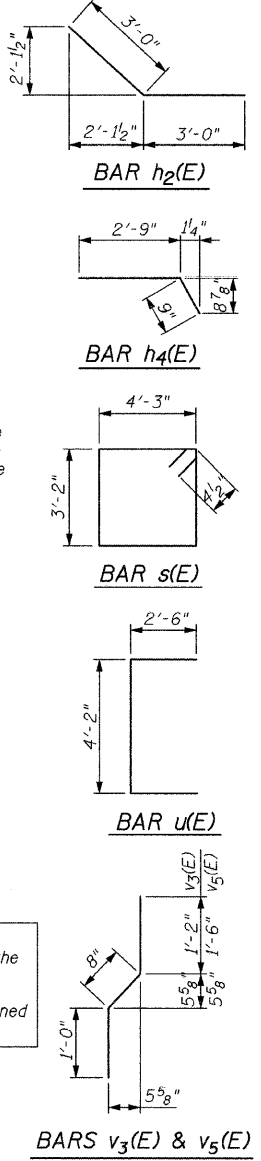
NOTES:
The Contractor shall install the Anchor Bolts in accordance with the Bridge Manufacturer's Anchor Bolt spacing dimensions.
Bearing and Anchor Bolt design and dimensions are to be determined by Prefabricated Pedestrian Superstructure Manufacturer.

PILE DATA
(Typ. at each Abutment)
Type & Size: Metal Shell 12" x 0.179" Walls
Nominal Required Bearing = 210 kips
Allowable Resistance Available = 70 kips
Estimated Pile Length: 40'-0"
Number of Production Piles: 6
Number of Test Piles: 1

NOTE:
The Test Pile shall be driven to 110 percent of the nominal required Bearing indicated in the Pile Data Information. Piles shall be driven in the holes precored through the Embankment, according to Article 512.09 (C) of the Standard Specification. Cost included in Driving Piles.

BILL OF MATERIAL (FOR EACH ABUTMENT)

Bar	No.	Size	Length	Shape
h(E)	10	#5	20'-5"	—
h1(E)	16	#6	9'-0"	—
h2(E)	16	#5	6'-0"	—
h3(E)	16	#5	5'-8"	—
h4(E)	4	#5	3'-6"	—
p(E)	8	#7	20'-5"	—
s(E)	28	#4	15'-7"	□
u(E)	8	#6	9'-2"	—
v(E)	21	#5	3'-7"	—
v1(E)	15	#5	4'-10"	—
v2(E)	15	#5	2'-6"	—
v3(E)	15	#5	2'-10"	—
v4(E)	8	#5	5'-0"	—
v5(E)	8	#5	3'-2"	—
v6(E)	12	#5	11'-8"	—
Reinforcement Bars, Epoxy Coated			Lb.	1,830
Concrete Structures			Cu. Yd.	17.9
Furnishing Metal Pile Shells, 12"x0.179"			Ft.	240
Driving Piles			Ft.	240
Test Pile Metal Shells			Each	1
Concrete Sealer			Sq. Ft.	49



BAR CUTTING DIAGRAM
Order v6(E) bars full length. Cut as shown and use remainder of bars in opposite side.

REVISIONS	
NAME	DATE

ILLINOIS DEPARTMENT OF TRANSPORTATION
ABUTMENTS
C.H. 47 ILLINOIS PRAIRIE PATH BRIDGE OVER THE EAST BRANCH OF THE DUPAGE RIVER MILTON TOWNSHIP DUPAGE COUNTY
SCALE: DATE: AUGUST 19, 2008 DRAWN BY: F.M. CHECKED BY: B.N.S.
CHRISTIAN-ROGE & ASSOC., INC. CHICAGO ILLINOIS