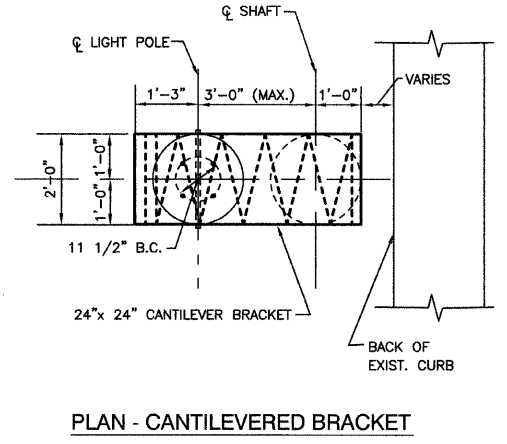
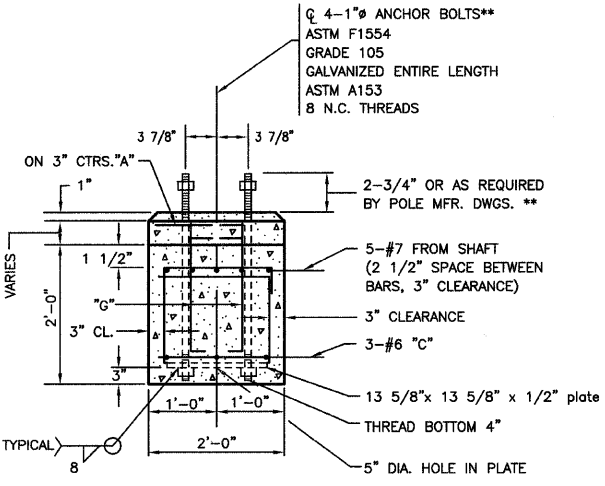
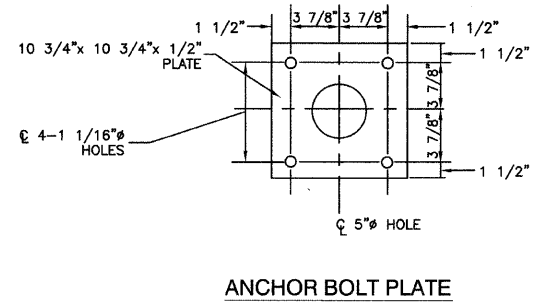
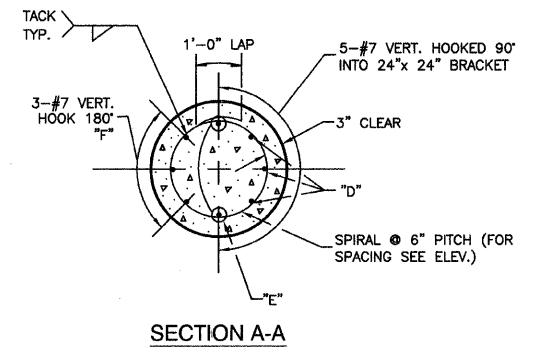


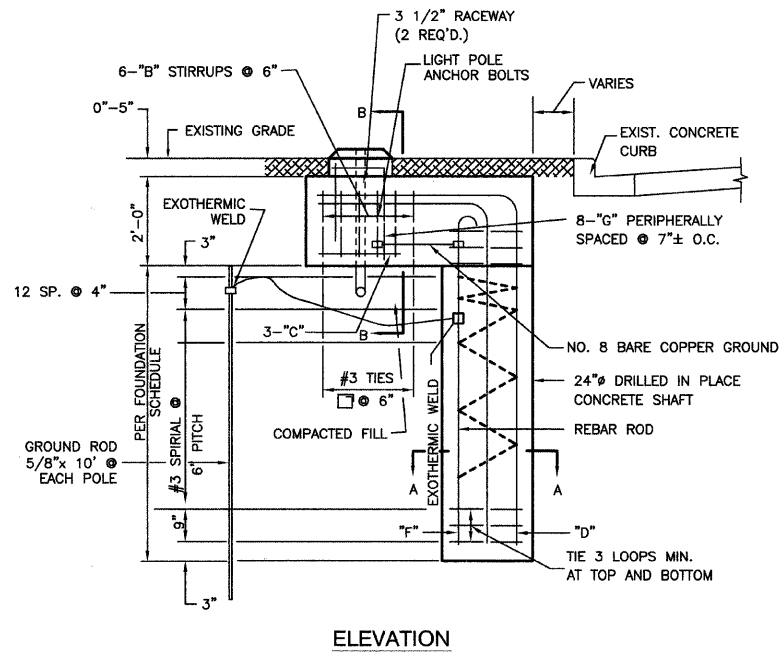
CONTRACT #63078



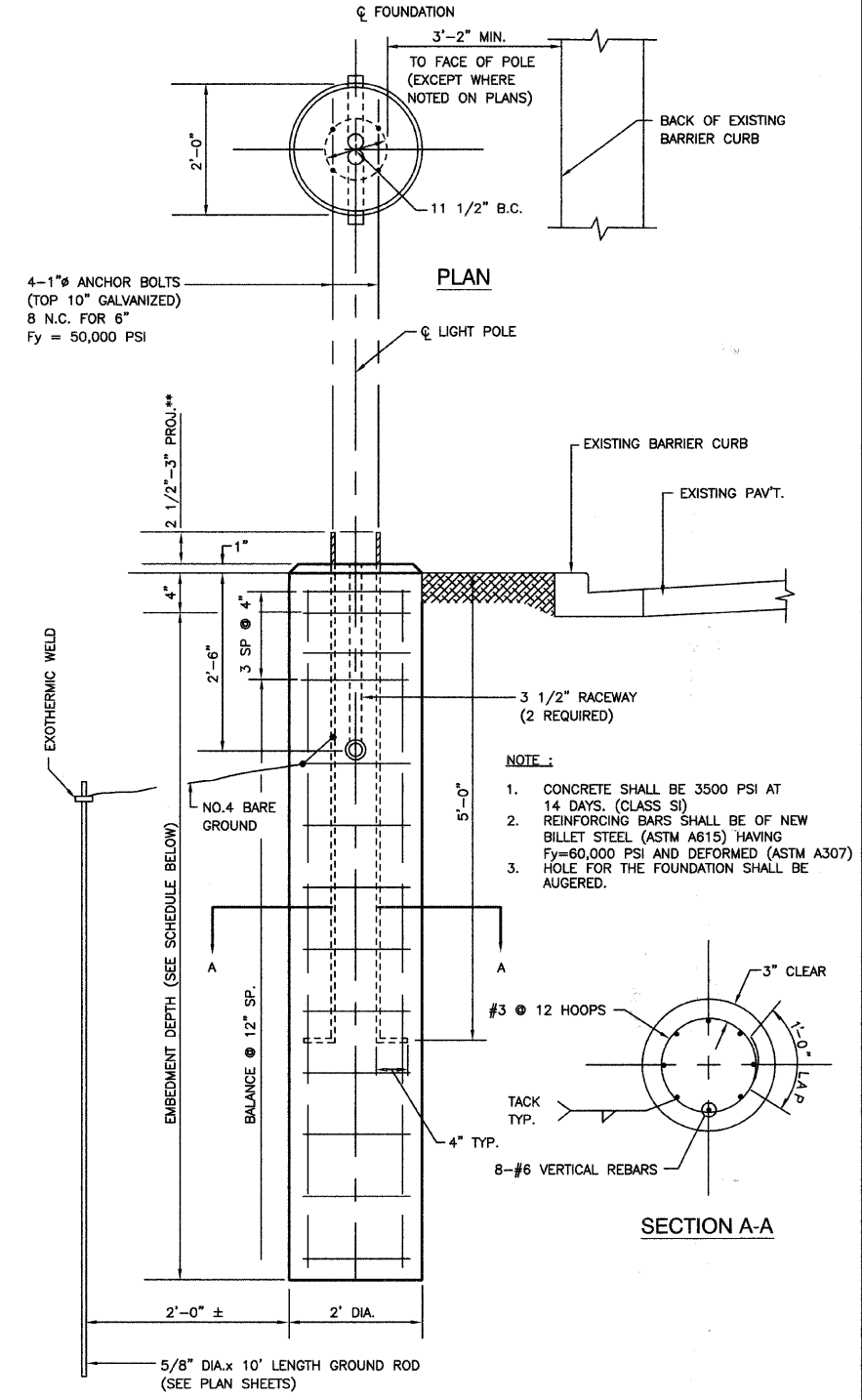
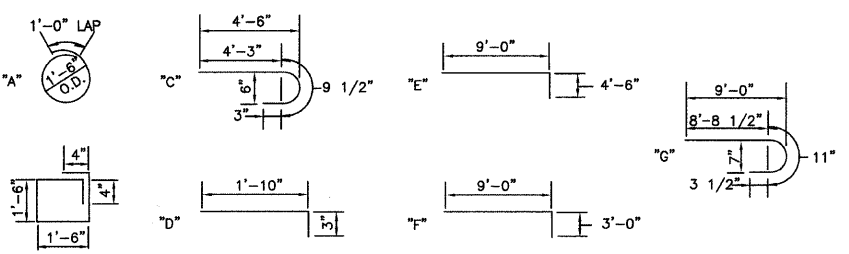
****NOTE:**
THE TOP OF THE ANCHOR BOLTS SHOULD NOT PROJECT MORE THAN 4" ABOVE A 60" CHORD ALIGNED RADIALLY TO THE CENTERLINE OF THE HIGHWAY AND CONNECTING ANY POINT WITHIN THE LENGTH OF THE CHORD, ON THE GROUND SURFACE ON ONE SIDE OF THE SUPPORT TO A POINT ON THE GROUND SURFACE ON THE OTHER SIDE.

- NOTE:**
1. CONCRETE SHALL BE 3500 PSI AT 14 DAYS. (CLASS SJ)
 2. REINFORCING BARS SHALL BE OF NEW BILLET STEEL ASTM M42M (M42) AND DEFORMED
 3. HOLE FOR THE FOUNDATION (SHAFT) SHALL BE AUGERED
 4. POLE FOUNDATION, OFFSET FOR THIS APPLICATION IS EQUIVALENT TO 13.5 LIN.FT. PER FOUNDATION.
 5. THE CONTRACTOR SHALL USE A #3 SPIRAL AT 6" PITCH OR MAY SUBSTITUTE #3 TIES 12" O.C. WITH THE APPROVAL OF THE ENGINEER

BILL OF MATERIALS				
"LIGHT POLE FOUNDATION, 24" DIAMETER, OFFSET"				
QUAN.	MARK	SIZE	LENGTH	SHAPE
11	A	NO.3	5'-9"	○
6	B	NO.3	6'-8"	□
3	C	NO.6	5'-31/2"	○
8	G	NO.6	2'-1"	□
3	D	NO.7	13'-6"	□
2	E	NO.7	12'-0"	□
3	F	NO.7	9'-11"	□
REINFORCING BARS		LBS.	285	
CLASS X CONCRETE		CU.YDS.	1.7	
ANCHOR BOLTS		NO.	4	
ANCHOR BOLT PLATE NO.			1	

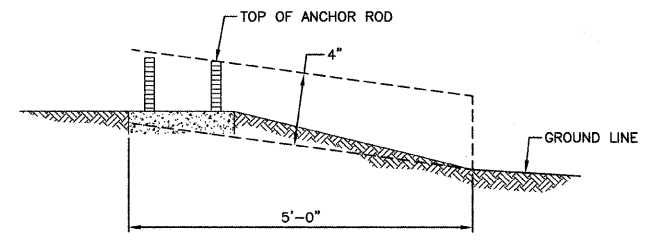


POLE FOUNDATION, OFFSET - DETAILS



FOUNDATION SCHEDULE

DESCRIPTION	STANDARDS	EMBEDMENT MOUNTING HEIGHT			
		30 FT.	35 FT.	40 FT.	47.5 FT.
		30 FT.	35 FT.	40 FT.	47.5 FT.
SOFT CLAY	Qu = .25-.50 T/FT. 2	9'-0"	9'-8"	10'-6"	14'-0"
MEDIUM CLAY	Qu = .50-1.0 T/FT. 2	6'-6"	*7'-0"	7'-6"	10'-0"
DENSE CLAY	Qu = 1.0-2.0 T/FT. 2	5'-6"	6'-0"	6'-6"	8'-6"
LOOSE SAND	N = 4-10	7'-0"	7'-8"	8'-4"	11'-0"
MEDIUM SAND	N = 10-30	6'-0"	6'-6"	7'-3"	9'-6"
DENSE SAND	N = 30-50	5'-6"	6'-0"	6'-6"	8'-6"



****NOTE:**
THE FOUNDATION SHALL NOT PROTRUDE MORE THAN 100MM (4") ABOVE THE FINISHED GRADE WITHIN A 1.5M (60") CHORD ACROSS THE FOUNDATION, WITH ANCHOR RODS INCLUDED. IN ACCORDANCE WITH AASHTO GUIDELINES. IF THE FOUNDATION HEIGHT, INCLUDING ANCHOR RODS, EXTENDS BEYOND THESE SPECIFIED LIMITS, THE FOUNDATION SHALL BE REPLACED AT THE CONTRACTORS EXPENSE. SEE FOUNDATION EXTENSION DETAIL.

FOUNDATION EXTENSION DETAIL

REVISIONS	
NAME	DATE

ILLINOIS DEPARTMENT OF TRANSPORTATION
MAIN STREET IMPROVEMENTS
NORTH MAIN STREET TO CAMPBELL STREET
LIGHTING DETAILS

SCALE: VERT. NA
HORIZ. NA
DATE: 7-24-08
DRAWN BY: LTL
CHECKED BY: PAP/WPD