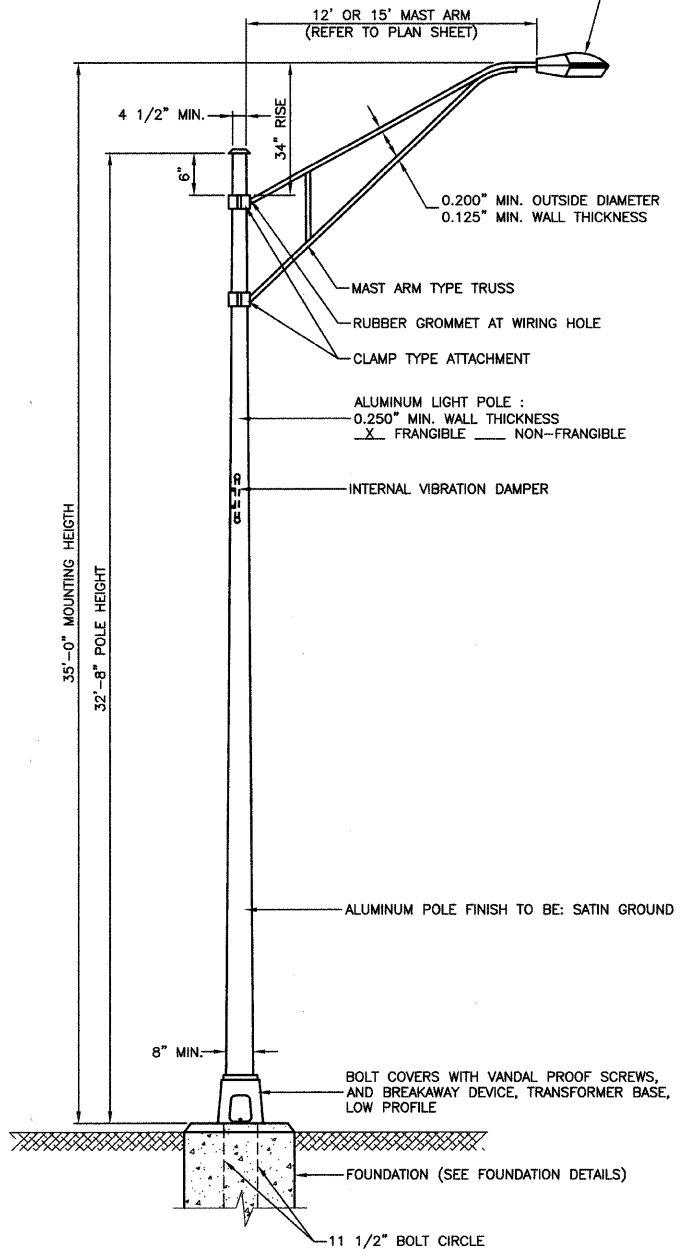


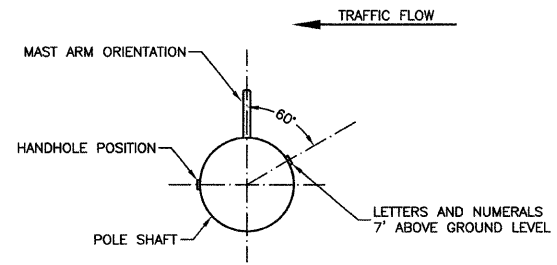
FAU RTR.	SECTION	COUNTY	TOTAL SHEETS	SHEET NO.
3603	03-00049-00-FP	COOK	045	022
STA.		TO STA.		
FED. ROAD DIST. NO. 1	ILLINOIS	FED. AID PROJECT M8003 (559)		

CONTRACT #63078

LUMINAIRE:
 250 WATT HIGH PRESSURE SODIUM LAMP
 240 VOLT BALLAST
 I.E.S. TYPE: MC III LIGHT DISTRIBUTION
 LENS TYPE: FLAT
 INITIAL LAMP LUMENS: 28,000
 LAMP LIFE: 24,000 HOURS



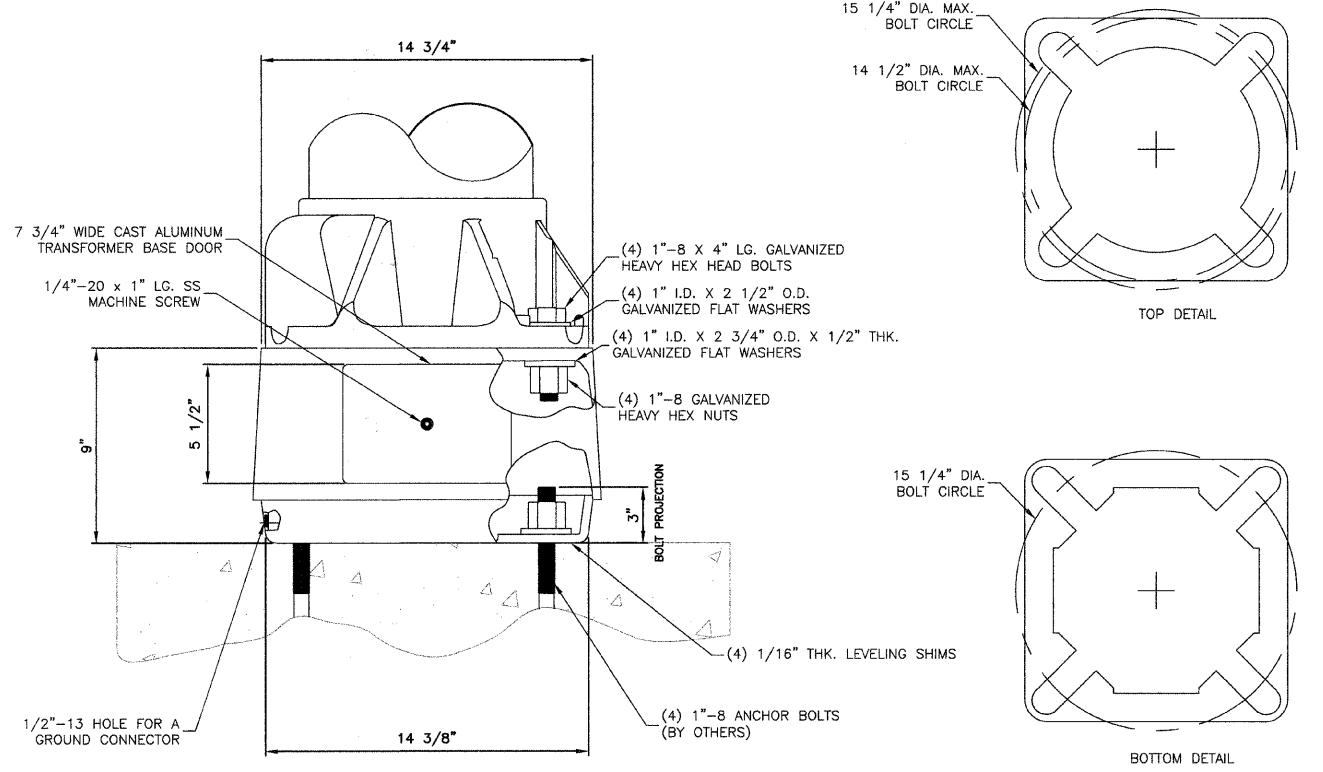
TYPICAL POLE INSTALLATION FOR RELOCATED 35' MH POST



POSITION OF HANDHOLE AND NUMERALS ON POLE

- NOTES:**
1. THE LIGHTING UNITS SHALL MEET AASHTO DESIGN CRITERIA. DESIGN FOR 90 M.P.H. WIND WITH 30% GUST AND 75 POUND LUMINAIRE HAVING AN E.P.A. OF 1.6 SQ. FT. AND PROPER ICE LOADING.
 2. ALUMINUM ALLOY 6063-T6 SHALL BE USED.

IMPORTANT NOTE:
 TRANSFORMER BASE AND LIGHTPOLE TO BE LEVELLED AS ONE UNIT. USING LEVELING SHIMS IF REQUIRED.



LOW PROFILE TRANSFORMER BASE DETAIL

NOTE: USE 15" DIAMETER BOLT CIRCLE FOR BOTH TOP & BOTTOM

REVISIONS	
NAME	DATE

ILLINOIS DEPARTMENT OF TRANSPORTATION
 MAIN STREET IMPROVEMENTS
 NORTH MAIN STREET TO CAMPBELL STREET
 LIGHTING DETAILS

SCALE: VERT. NA
 HORIZ. NA
 DATE: 7-24-08
 DRAWN BY: LTL
 CHECKED BY: PAP/WPD