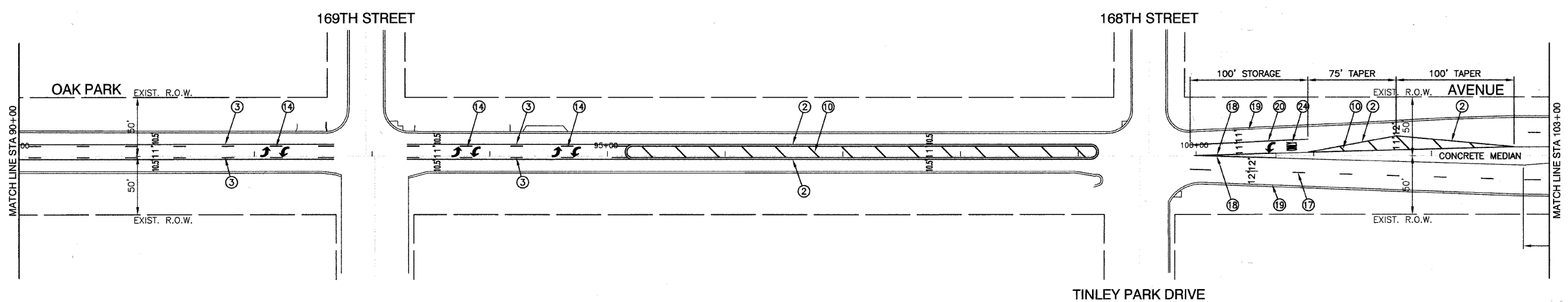
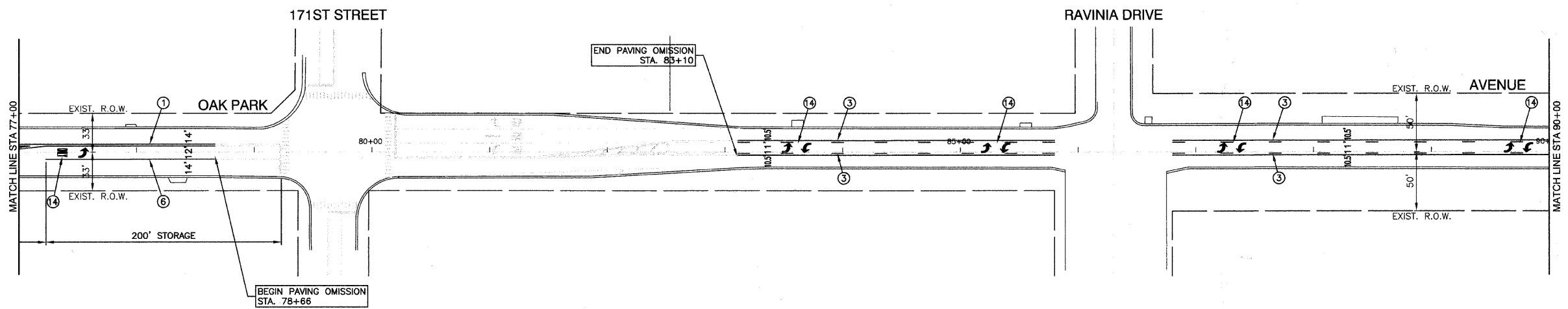
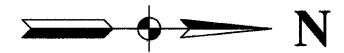


F. A. U. RITE	SECTION	COUNTY	TOTAL SHEETS	SHEET NO.
2774	08-00106-00-RS	COOK	019	013
STA.		TO STA.		
FED. ROAD DIST. NO.	ILLINOIS	FED. AID PROJECT		

CONTRACT #63079



PAVEMENT MARKING LEGEND

- | | |
|--|---|
| ① THERMOPLASTIC DOUBLE 4" YELLOW CENTERLINE (11" C/C) | ⑮ PREFORMED PLASTIC DOUBLE 4" YELLOW CENTERLINE (11" C/C) |
| ② THERMOPLASTIC DOUBLE 4" YELLOW MEDIAN LINE (11" C/C) | ⑯ PREFORMED PLASTIC DOUBLE 4" YELLOW MEDIAN LINE (11" C/C) |
| ③ THERMOPLASTIC 4" YELLOW LINE W/ 4" YELLOW DASH LINE (10' LINE-30' SPACE)(5 1/2" C/C) | ⑰ PREFORMED PLASTIC 4" WHITE DASH LINE (10' LINE-30' SPACE) |
| ④ THERMOPLASTIC 4" WHITE DASH LINE (10' LINE-30' SPACE) | ⑱ PREFORMED PLASTIC 4" YELLOW MEDIAN LINE |
| ⑤ THERMOPLASTIC 4" YELLOW MEDIAN LINE | ⑲ PREFORMED PLASTIC 4" WHITE EDGE LINE |
| ⑥ THERMOPLASTIC 6" WHITE LANE LINE | ⑳ PREFORMED PLASTIC 6" WHITE LANE LINE |
| ⑦ THERMOPLASTIC DOUBLE 6" WHITE CROSSWALK LINE (6' APART) | ㉑ PREFORMED PLASTIC 12" WHITE CROSSWALK LINE (2' APART) |
| ⑧ THERMOPLASTIC 6" WHITE DASH LINE (2' LINE-6' SPACE) | ㉒ PREFORMED PLASTIC 12" YELLOW DIAGONAL (20' C/C) |
| ⑨ THERMOPLASTIC 12" WHITE CROSSWALK LINE (2' APART) | ㉓ PREFORMED PLASTIC 24" WHITE STOP BAR |
| ⑩ THERMOPLASTIC 12" YELLOW DIAGONAL (20' C/C) | ㉔ PREFORMED PLASTIC LETTERS AND SYMBOLS |
| ⑪ THERMOPLASTIC 12" WHITE LINE | |
| ⑫ THERMOPLASTIC 12" WHITE DIAGONAL (2' APART) | |
| ⑬ THERMOPLASTIC 24" WHITE STOP BAR | |
| ⑭ THERMOPLASTIC LETTERS AND SYMBOLS | |

NOTE
PLEASE REFER TO IDOT DISTRICT 1 STANDARD TC-10 (SHEET #18) FOR PLACEMENT OF RAISED REFLECTIVE PAVEMENT MARKERS FROM STA 27+06 TO STA 78+66 AND FROM STA 83+10 TO STA 99+96

REVISIONS	
NAME	DATE

ILLINOIS DEPARTMENT OF TRANSPORTATION

**OAK PARK AVENUE
STREET RESURFACING
PAVEMENT MARKINGS**

SCALE: VERT. NA
HORIZ 1"=50'

DATE 07/30/08

DRAWN BY EDG
CHECKED BY WPD

ROBINSON ENGINEERING, LTD.
17000 SOUTH PARK AVENUE SOUTH HOLLAND, ILLINOIS 60473
(708) 331-6700 FAX (708) 331-3808
ILLINOIS DESIGN FIRM REGISTRATION NO. 18400128 07504-PV/MK-01 - P04