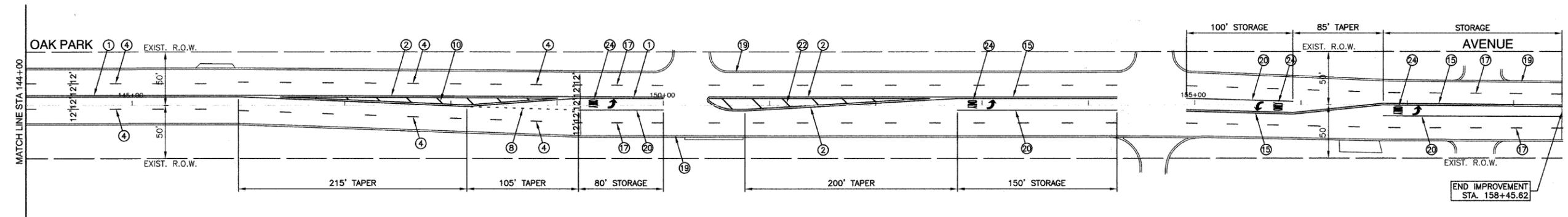
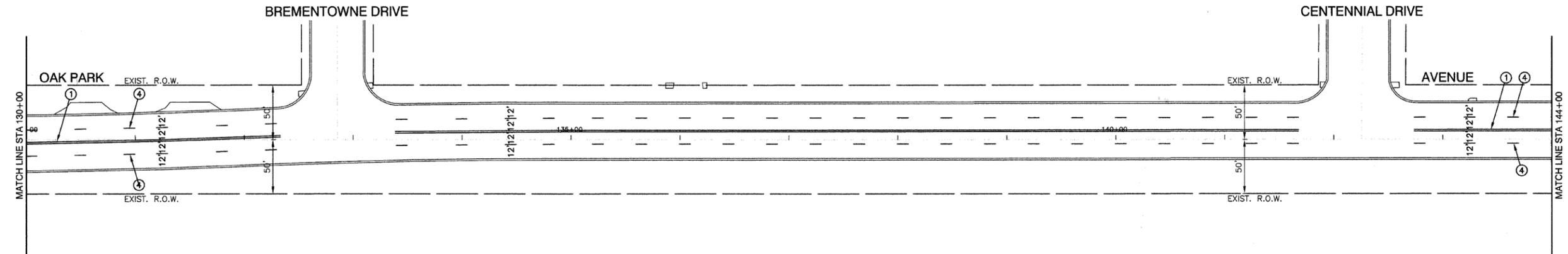


F. A. U. RITE	SECTION	COUNTY	TOTAL SHEETS	SHEET NO.
2774	08-00106-00-RS	COOK	019	015
STA.		TO STA.		
FED. ROAD DIST. NO.		ILLINOIS	FED. AID PROJECT	

CONTRACT #63079



**PAVEMENT MARKING LEGEND**

- |  |   |
|--|---|
| ① THERMOPLASTIC DOUBLE 4" YELLOW CENTERLINE (11" C/C)                                  | ⑮ PREFORMED PLASTIC DOUBLE 4" YELLOW CENTERLINE (11" C/C)   |
| ② THERMOPLASTIC DOUBLE 4" YELLOW MEDIAN LINE (11" C/C)                                 | ⑯ PREFORMED PLASTIC DOUBLE 4" YELLOW MEDIAN LINE (11" C/C)  |
| ③ THERMOPLASTIC 4" YELLOW LINE W/ 4" YELLOW DASH LINE (10' LINE-30' SPACE)(5 1/2" C/C) | ⑰ PREFORMED PLASTIC 4" WHITE DASH LINE (10' LINE-30' SPACE) |
| ④ THERMOPLASTIC 4" WHITE DASH LINE (10' LINE-30' SPACE)                                | ⑱ PREFORMED PLASTIC 4" YELLOW MEDIAN LINE                   |
| ⑤ THERMOPLASTIC 4" YELLOW MEDIAN LINE  | ⑲ PREFORMED PLASTIC 4" WHITE EDGE LINE                      |
| ⑥ THERMOPLASTIC 6" WHITE LANE LINE   | ⑳ PREFORMED PLASTIC 6" WHITE LANE LINE                      |
| ⑦ THERMOPLASTIC DOUBLE 6" WHITE CROSSWALK LINE (6' APART)                              | ㉑ PREFORMED PLASTIC 12" WHITE CROSSWALK LINE (2' APART)     |
| ⑧ THERMOPLASTIC 6" WHITE DASH LINE (2' LINE-6' SPACE)                                  | ㉒ PREFORMED PLASTIC 12" YELLOW DIAGONAL (20' C/C)           |
| ⑨ THERMOPLASTIC 12" WHITE CROSSWALK LINE (2' APART)                                    | ㉓ PREFORMED PLASTIC 24" WHITE STOP BAR                      |
| ⑩ THERMOPLASTIC 12" YELLOW DIAGONAL (20' C/C)  | ㉔ PREFORMED PLASTIC LETTERS AND SYMBOLS                     |
| ⑪ THERMOPLASTIC 12" WHITE LINE   |   |
| ⑫ THERMOPLASTIC 12" WHITE DIAGONAL (2' APART)  |   |
| ⑬ THERMOPLASTIC 24" WHITE STOP BAR   |   |
| ⑭ THERMOPLASTIC LETTERS AND SYMBOLS  |   |

**NOTE**  
PLEASE REFER TO IDOT DISTRICT 1 STANDARD TC-10 (SHEET #18) FOR PLACEMENT OF RAISED REFLECTIVE PAVEMENT MARKERS FROM STA 27+06 TO STA 78+66 AND FROM STA 83+10 TO STA 99+96

REVISIONS	
NAME	DATE

**ILLINOIS DEPARTMENT OF TRANSPORTATION**

**OAK PARK AVENUE  
STREET RESURFACING  
PAVEMENT MARKINGS**

SCALE: VERT. NA  
HORIZ. 1"=50'

DATE: 07/30/08

DRAWN BY: EDG  
CHECKED BY: WPD